



# T&S BRASS AND BRONZE WORKS, INC.

2 Saddleback Cove / P.O. Box 1088  
Travelers Rest, SC 29690



REG. #A2601  
ISO #9001

Model No.  
**BL-4102-02**

Item No.

Travelers Rest, SC: 800-476-4103 Simi Valley, CA: 800-423-0150 Fax: 864-834-3518 www.tsbrass.com

This Space for Architect/Engineer Approval

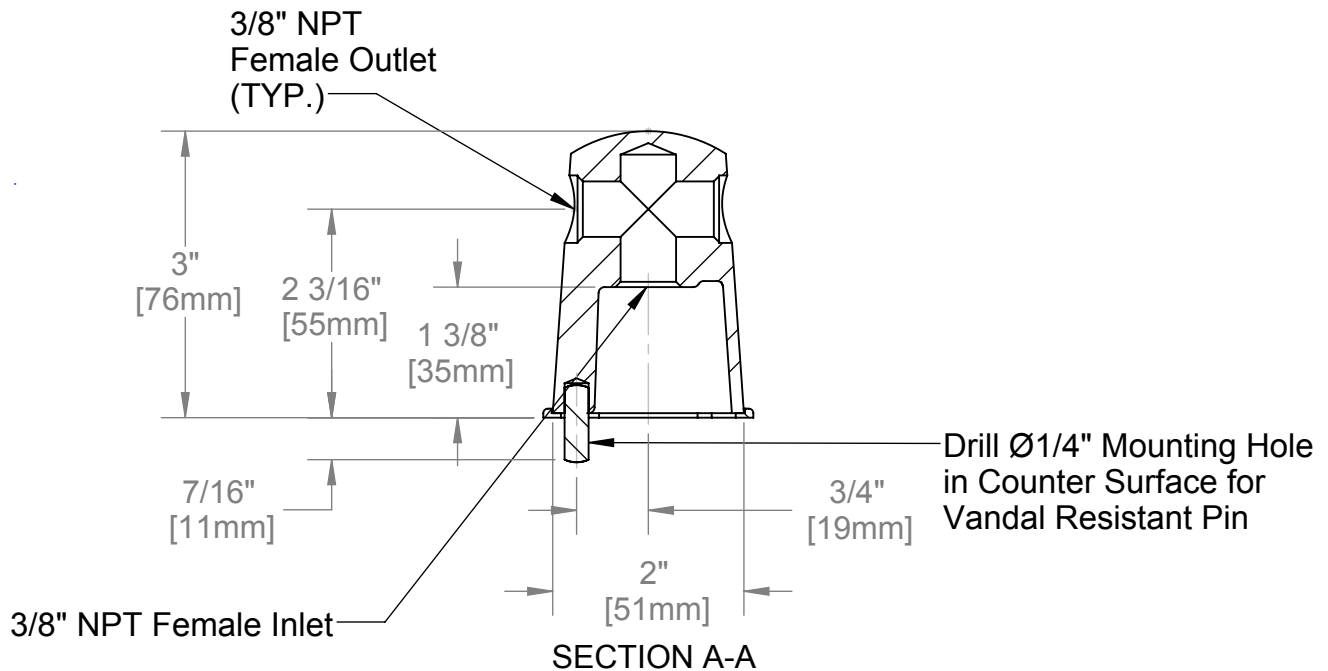
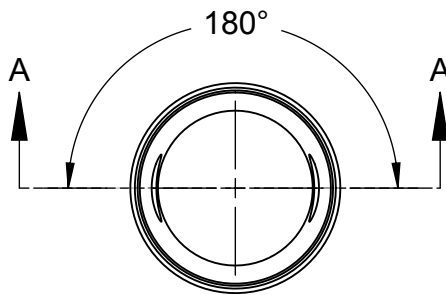
Job Name \_\_\_\_\_ Date \_\_\_\_\_

Model Specified \_\_\_\_\_ Quantity \_\_\_\_\_

Customer/Wholesaler \_\_\_\_\_

Contractor \_\_\_\_\_

Architect/Engineer \_\_\_\_\_



Product Specifications:  
**Gas Turret w/ Vandal Resistant Pin  
 & (2) Outlets 180° Apart**

|               |                |                   |
|---------------|----------------|-------------------|
| Drawn<br>ARH  | Checked<br>JRM | Approved<br>JHB   |
| Scale:<br>1:2 |                | Date:<br>01/10/07 |