



T&S BRASS AND BRONZE WORKS, INC.

2 Saddleback Cove / P.O. Box 1088
Travelers Rest, SC 29690



REG. #A2601
ISO #9001

Model No.
BL-4200 SERIES

Item No.

Travelers Rest, SC: 800-476-4103 Simi Valley, CA: 800-423-0150 Fax: 864-834-3518 www.tsbrass.com

This Space for Architect/Engineer Approval

Job Name _____ Date _____

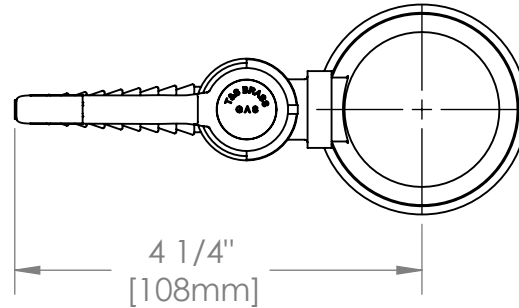
Model Specified _____ Quantity _____

Customer/Wholesaler _____

Contractor _____

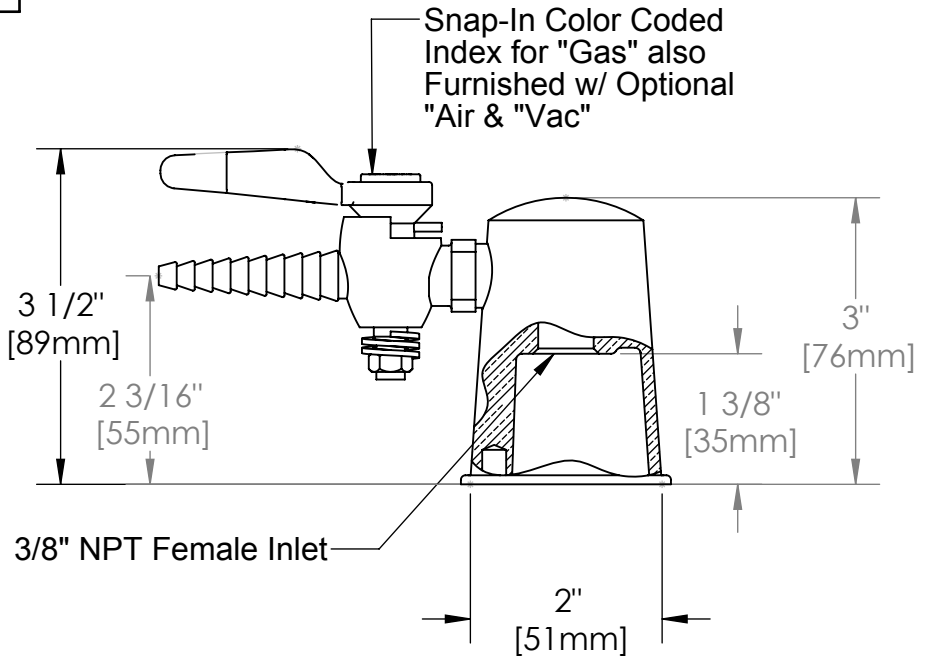
Architect/Engineer _____

BL-4200-0	Turret w/ (2) Hose Cocks @ 90°
BL-4200-01	Turret w/ (1) Hose Cock
BL-4200-02	Turret w/ (2) Hose Cocks @ 180°
BL-4200-03	Turret w/ (3) Hose Cocks @ 90°
BL-4200-04	Turret w/ (4) Hose Cocks @ 90°



Use BL-4010-01 Gas Cock for Oxygen or for Pressures Above 0.5 PSIG

BL-4200-01 SHOWN



Product Specifications:

Laboratory Turret w/ Serrated Hose Cock

Drawn ARH	Checked JRM	Approved JHB
Scale: 1:2		Date: 01/10/07



T&S BRASS AND BRONZE WORKS, INC.

2 Saddleback Cove / P.O. Box 1088
Travelers Rest, SC 29690



REG. #A2601
ISO #9001

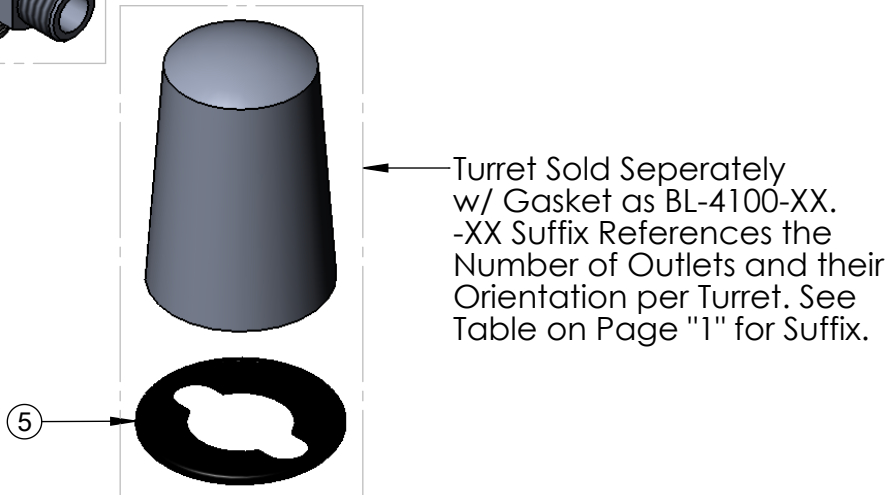
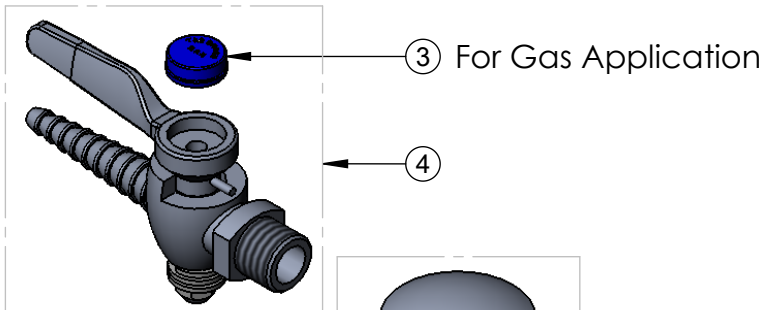
Model No.

BL-4200 SERIES

Item No.

Travelers Rest, SC: 800-476-4103 Simi Valley, CA: 800-423-0150 Fax: 864-834-3518 www.tsbrass.com

ITEM NO.	SALES NO.	DESCRIPTION
1	001203-45	Cap, Index, Orange, Air
2	001200-45	Cap, Index, Yellow, Vacuum
3	001197-45	Cap, Index, Blue Gas
4	BL-4000-01	Ground Key Hose Cock w/ Blue Gas Cap Index
5	001158-45	Gasket, Polypropylene, Black



Product Specifications:

Laboratory Turret w/ Serrated Hose Cock

Drawn

ARH

Checked

JRM

Approved

JHB

Scale:

1:2

Date:

01/10/07