



**T&S BRASS AND BRONZE WORKS, INC.**

2 Saddleback Cove / P.O. Box 1088  
Travelers Rest, SC 29690



REG. #A2601  
ISO #9001

Model No.  
**BL-4210 SERIES**

Item No.

Travelers Rest, SC: 800-476-4103 Simi Valley, CA: 800-423-0150 Fax: 864-834-3518 www.tsbrass.com

This Space for Architect/Engineer Approval

Job Name \_\_\_\_\_ Date \_\_\_\_\_

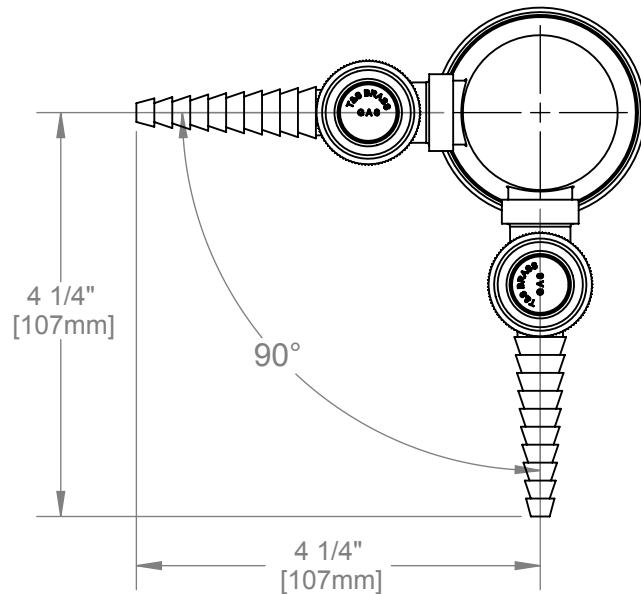
Model Specified \_\_\_\_\_ Quantity \_\_\_\_\_

Customer/Wholesaler \_\_\_\_\_

Contractor \_\_\_\_\_

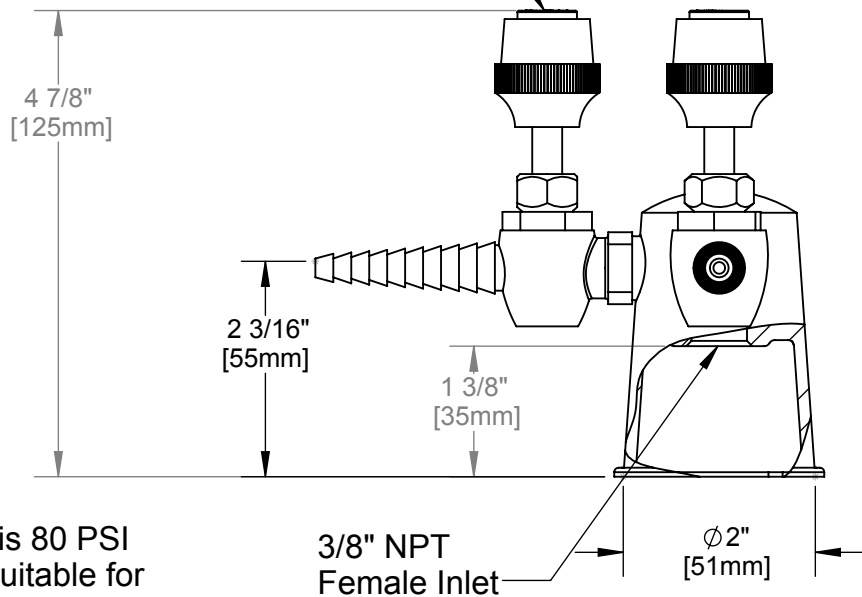
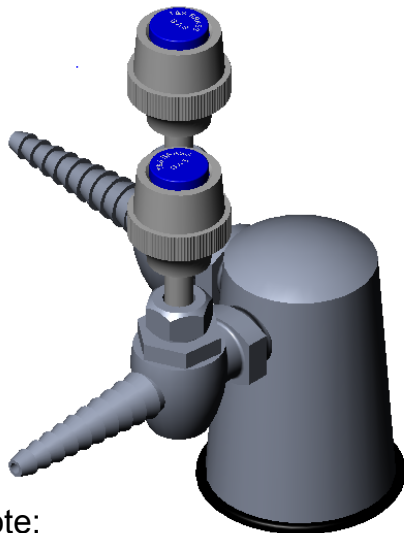
Architect/Engineer \_\_\_\_\_

BL-4210-0	Turret w/ (2) Hose Cocks @ 90°
BL-4210-01	Turret w/ (1) Hose Cock
BL-4210-02	Turret w/ 2 Hose Cocks @ 180°
BL-4210-04	Turret w/ 4 Hose Cocks @ 90°



Snap-in Color Coded Index, For "Gas" Also Furnished w/ Optional "Air" And "VAC" Indexes

**BL-4210-0 SHOWN**



- Note:
1. Maximum Rated Pressure is 80 PSI
  2. Special Packing in Valve Suitable for Oxygen, Hydrogen, and Other Special Gases

Product Specifications: <b>Laboratory Turret With Needle Hose Cock(s)</b>	Drawn <b>ARH</b>	Checked <b>JRM</b>	Approved <b>JHB</b>
	Scale: <b>1:2</b>	Date: <b>9/19/07</b>	



**T&S BRASS AND BRONZE WORKS, INC.**

2 Saddleback Cove / P.O. Box 1088  
Travelers Rest, SC 29690



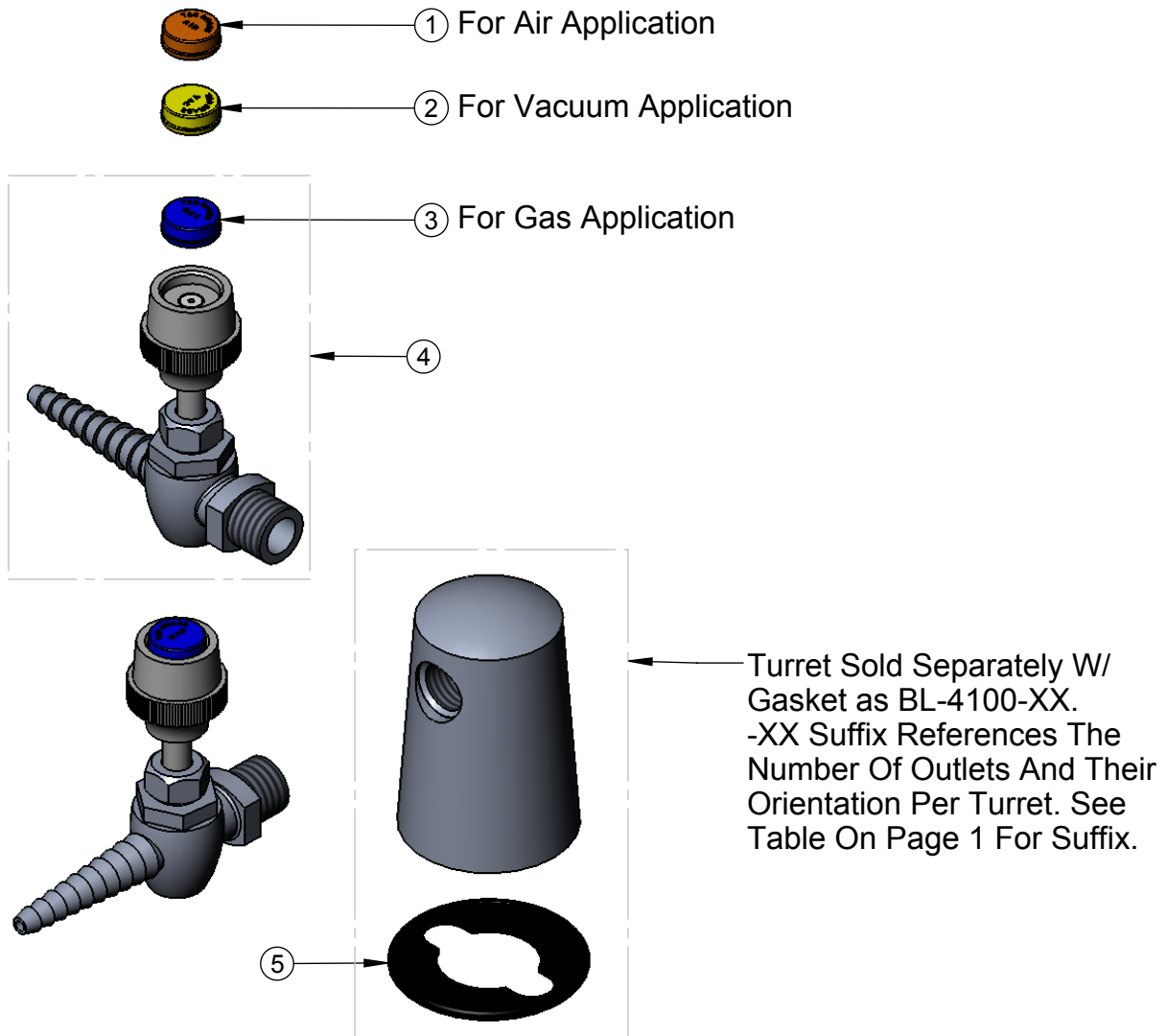
REG. #A2601  
ISO #9001

Model No.  
**BL-4210 SERIES**

Item No.

Travelers Rest, SC: 800-476-4103 Simi Valley, CA: 800-423-0150 Fax: 864-834-3518 www.tsbrass.com

ITEM NO.	SALES NO.	DESCRIPTION
1	001203-45	Cap, Index, Orange, Air
2	001200-45	Cap, Index, Yellow, Vacuum
3	001197-45	Cap, Index, Blue, Gas
4	BL-4010-01	Needle Hose Cock w/ Blue Gas Cap Index
5	001158-45	Gasket Polypropylene



Product Specifications:

Laboratory Turret With  
Needle Hose Cock(s)

Drawn ARH	Checked JRM	Approved JHB
Scale: 1:2		Date: 9/19/07