



T&S BRASS AND BRONZE WORKS, INC.

2 SADDLEBACK COVE / P.O. BOX 1088 / TRAVELERS REST, SC 29690

PHONE 800-476-4103

FAX 864- 834-3518



REG.#A2601
ISO #9002

Model No.

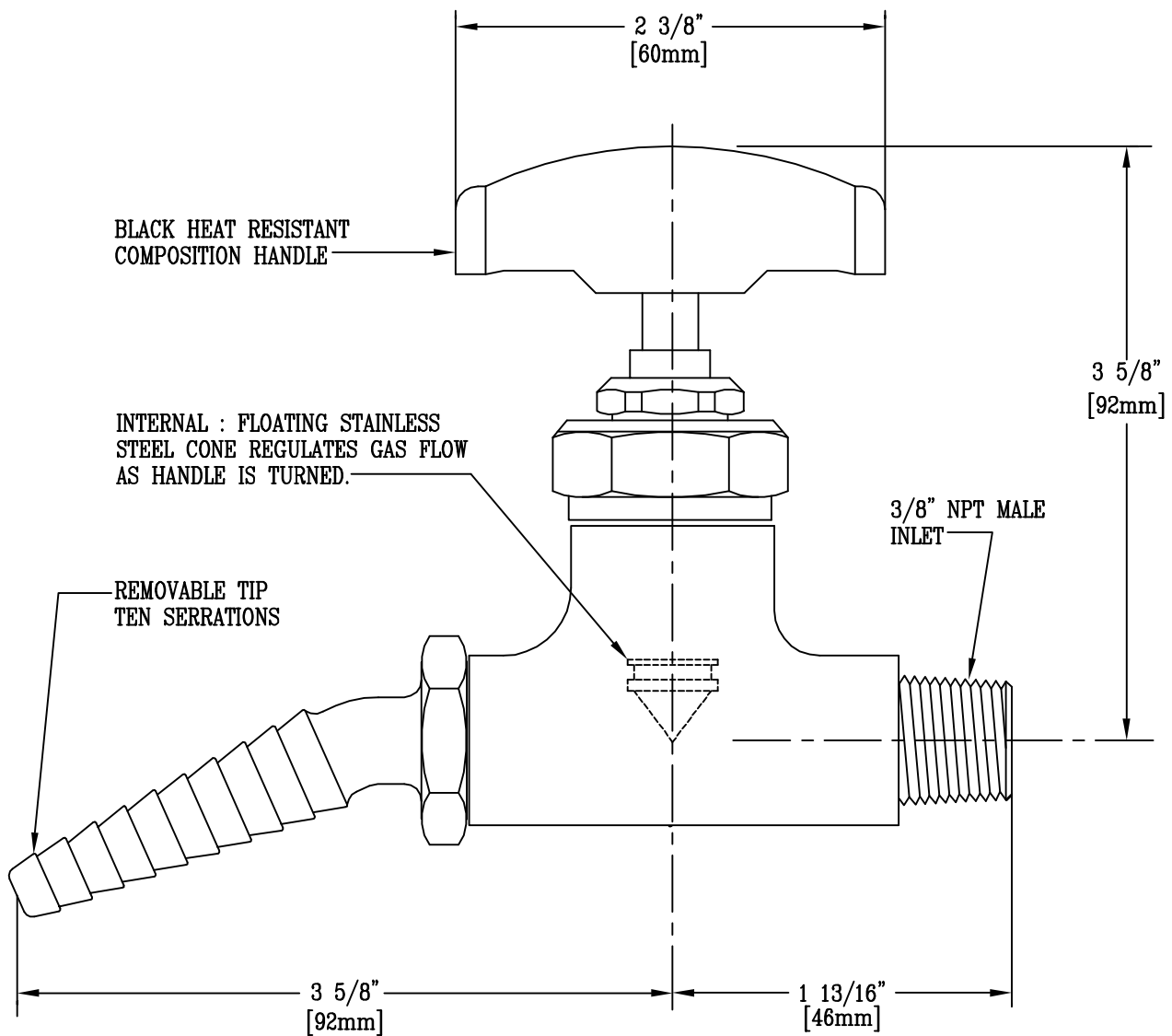
BL-4500-04

Item No.:

Job Name:

Architect/Engineer Approval:

Notes:



Product Description:

STRAIGHT STEAM STOP WITH BLACK HEAT RESISTANT HANDLE, SERRATED TIP, & 3/8" IPS MALE INLET

Drawn:

WJS

Checked

JKD

Scale:

1' = 1'

Approved

CA

Date:

11/22/95