



T&S BRASS AND BRONZE WORKS, INC.
 2 SADDLEBACK COVE / P.O. BOX 1088 / TRAVELERS REST, SC 29690
 PHONE 800-476-4103 - FAX 864- 834-3518



Model No.

BL-5705-01

**RELIABILITY
 BUILT IN**

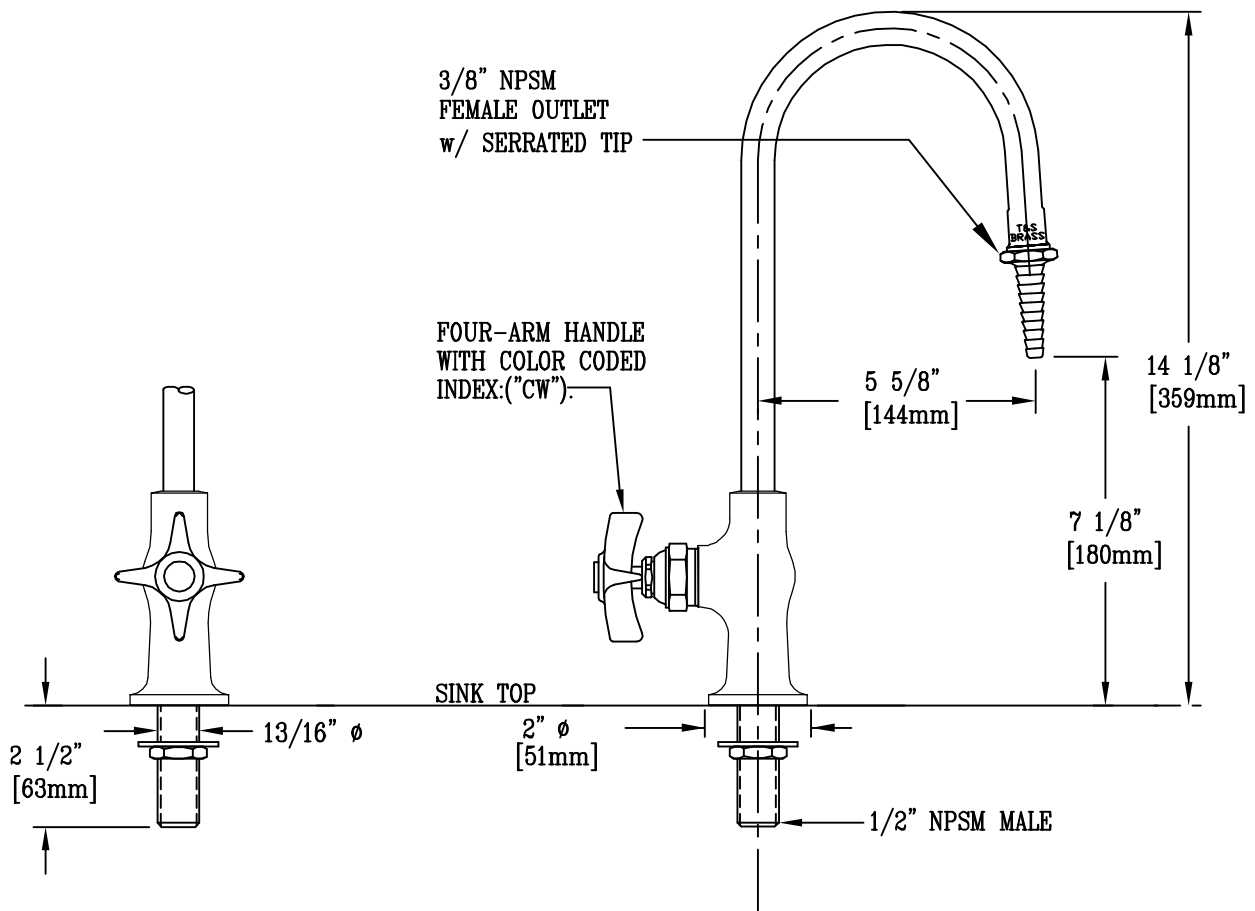
Job Name:

Architect/Engineer Approval:

Notes:



ADA COMPLIANT



150A TAILPIECE AND NUT FURNISHED FOR OPTIONAL 1/4" NPT CONNECTION

Product Description:

SINGLE TEMPERATURE LAB FCT. w/ RIGID GOOSENECK, SERRATED TIP, & 1/2" NPT MALE INLETS

Drawn:

LEL

Approved

MVW

Checked

JKD

Scale:

1 : 4

Date:

9/11/02