



# T&S BRASS AND BRONZE WORKS, INC.

2 Saddleback Cove / P.O. Box 1088  
Travelers Rest, SC 29690



REG. #A2601  
ISO #9001

Model No.

**EC-HYDROGEN**

Item No.

Travelers Rest, SC: 800-476-4103 Simi Valley, CA: 800-423-0150 Fax: 864-834-3518 www.tsbrass.com

This Space for Architect/Engineer Approval

Job Name \_\_\_\_\_ Date \_\_\_\_\_

Model Specified \_\_\_\_\_ Quantity \_\_\_\_\_

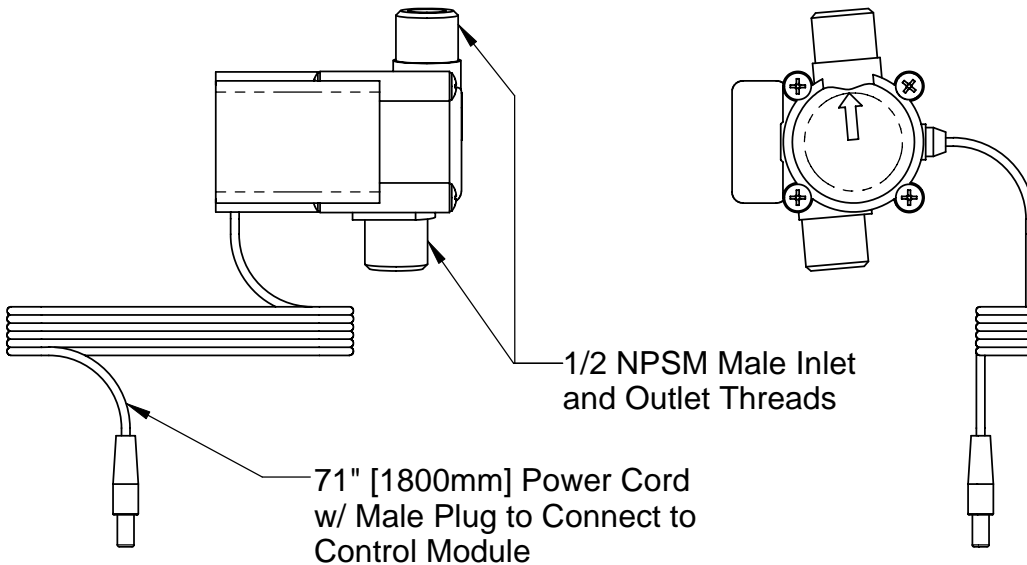
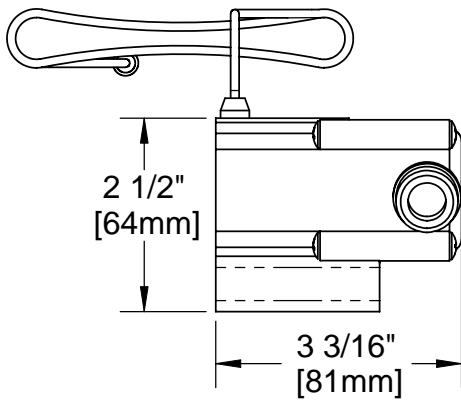
Customer/Wholesaler \_\_\_\_\_

Contractor \_\_\_\_\_

Architect/Engineer \_\_\_\_\_



Includes (1) 1/2 NPSM Swivel Coupling



**NOTE: Minimum Flow Rate of 1.0 GPM is Required in Applications Using EC-HYDROGEN**

Product Specifications:

**Hydro Generator Accessory Package for  
ChekPoint Electronic Sensor Faucet Models**

Drawn <b>GEF</b>	Checked <b>DMH</b>	Approved <b>JHB</b>
Scale: <b>NTS</b>		Date: <b>04/21/09</b>