



**T&S BRASS AND BRONZE WORKS, INC.**  
 2 SADDLEBACK COVE / P.O. BOX 1088 / TRAVELERS REST, SC 29690  
 PHONE 800-476-4103 - FAX 864- 834-3518



Sales No.

EW-7501

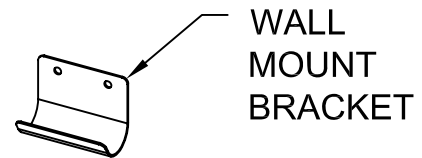
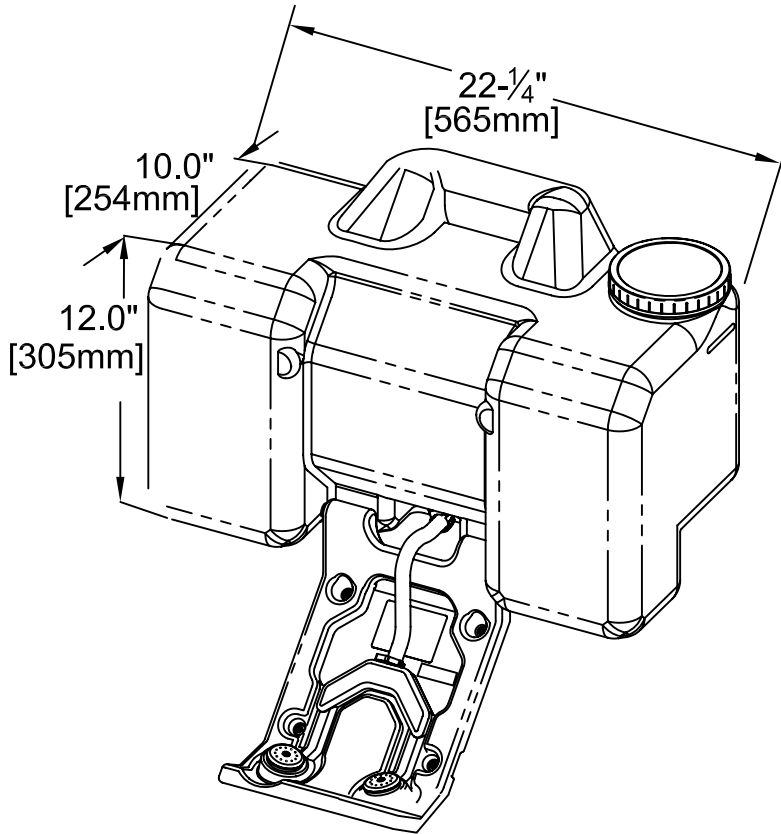
**RELIABILITY  
 BUILT IN**

Job Name:

Architect/Engineer Approval:

Notes:

**ANSI STANDARD Z358.1 APPROVED**



**NOTES:**

1. PORTABLE EYEWASH STATION - 9 GALLON CAPACITY  
 POLYETHYLENE TANK WITH BACTERIOSTATIC  
 PRESERVATIVE AND WALL MOUNT BRACKET

Product Description:

EYEWASH, PORTABLE

Drawn:

ARH

Checked

GEF

Scale:

NONE

Approved

JHB

Date:

12/14/07