



Contour™ Series

MODEL HRFS

Face-Mounted Fountain



These fountains are certified to NSF/ANSI 61.



GENERAL

Face-mounted fountain, one-piece, non-corrosive stainless steel number 300 series with brushed satin finish. Contour-formed basin with rounded corners and edges reduces splatter, insures proper drainage and prevents standing waste water.

BUBBLER

Exclusive one-piece, chrome-plated two-stream mound-building bubbler with non-removable anti-squirt feature and integral hood insures a satisfying drink of water.

PUSHBUTTON ACTUATION MECHANISM

Self-closing, vandal-resistant pushbutton does not require grasping or twisting.

AUTOMATIC STREAM HEIGHT REGULATOR

Self-closing assembly is located inside unit to prevent tampering. Unit resists corrosion and liming. A constant stream height is automatically maintained under line pressures that vary from 20 to 105 psi.

INLET STRAINER

Easily cleaned in-line strainer screen traps particles of 140 microns or larger before they enter the waterway.

WATER INLET

3/8" O.D. Tubing

DRAIN OUTLET

1-1/4" tube outlet for 1-1/4" slip joint connection.

SUGGESTED SPECIFICATIONS

Fountain shall include pushbutton on the front, contour-formed basin to eliminate splashing and standing water, and shall have rounded corners and edges. Projector shall be two-stream, mound-building type with integral hood guard and anti-squirt feature. The manufacturer shall certify the unit to meet the requirements of NSF/ANSI 61, and the Safe Drinking Water Act.

Note: Continued product improvement makes specifications subject to change without notice. See Halsey Taylor website for most current spec sheet.

Standard finish is Stainless Steel

Optional Finishes (extra cost)

- Galaxy Gray Marblyte™
- Black Onyx Marblyte™

Optional Accessories (extra cost)

- Vandal-Resistant Kit
- Easy-Flex™ Bubbler
- Water Filter

Each HRFS consists of 1 carton of the following:

Fountain and Misc. Parts

Service stop not included.

Shipping weight: 15 lbs.

JOB NAME: _____

ENGINEER/CONTRACTOR NAME: _____

APPROVAL: _____
DATE: _____



HRFS

Contour™ Face-Mounted Fountain

(CONTINUED)

MOUNTING INSTRUCTIONS

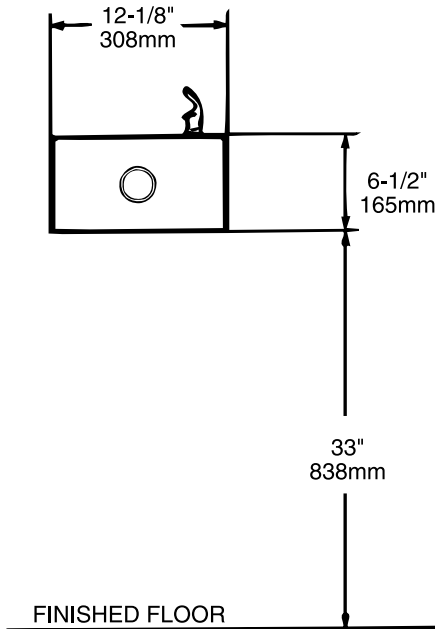
Refer to diagrams for rough-in of plumbing. For wall support required locations see installation instructions provided with fountain. Water supply and waste line are to be assembled as required. Final check for leaks and correct functions of fountain should be made. (For details see the installation instructions.)

CAUTION – Fountain must be securely bolted to wall

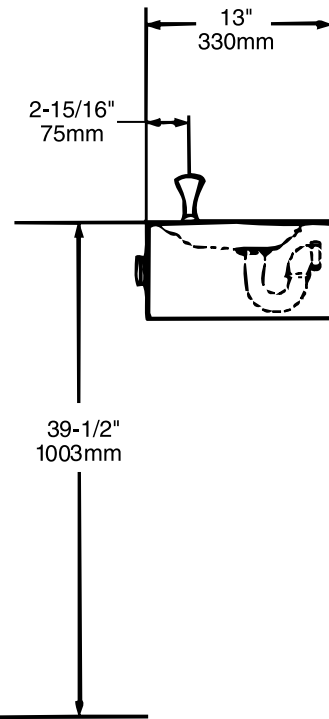
OPERATING PRESSURES

Supply water-105 psi maximum

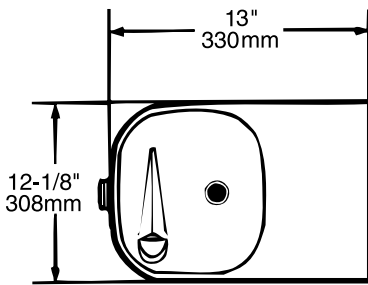
FRONT VIEW



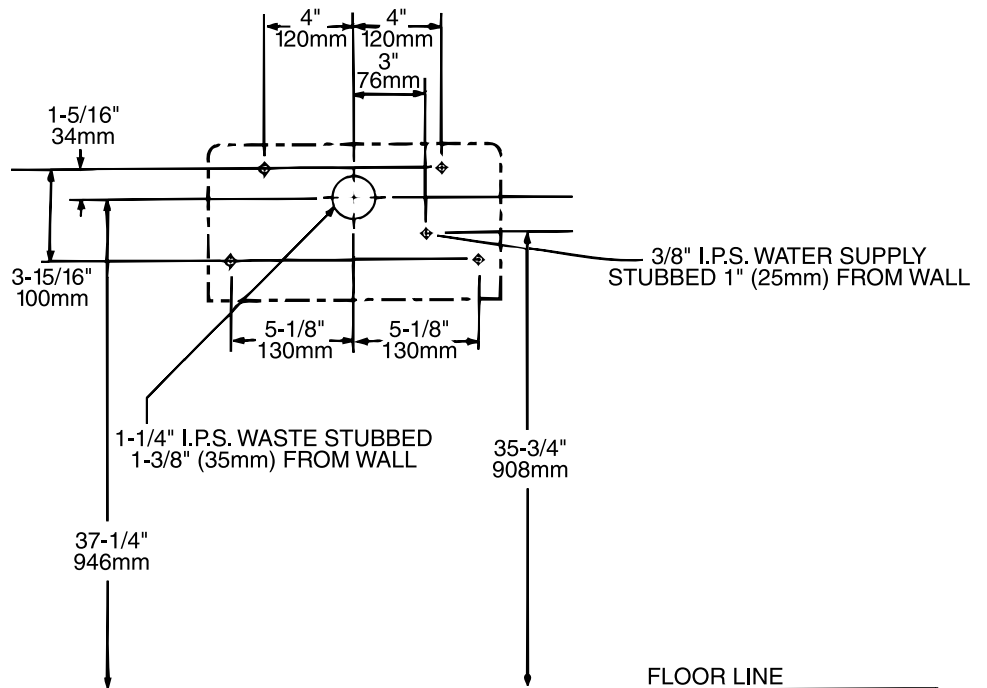
SIDE VIEW



TOP VIEW



WALL LAYOUT



Note: A service supply stop (not included) must be installed at the fountain inlet line. 1-1/4" trap provided.