



MODEL HDIFFBLEBP

Barrier-Free Fountain



This fountain is certified to NSF/ANSI 61.

GENERAL

Two face-mounted 14 gauge heavy duty fountains, one-piece, non-corrosive stainless steel number 300 series with brushed satin finish and one piece vandal resistant drain. Larger seamless drawn contour-formed basins with softly rounded corners and edges reduce splatter, insures proper drainage and prevents standing waste water. Designed to be easily accessible to both physically challenged and able-bodied individuals. Ideally suited for installation in public areas. Model meets state and federal requirements as defined by the Americans with Disabilities Act.

BUBBLER

Vandal resistant bubbler is one-piece chrome plated, with integral hood guard design to prevent contamination from other users, airborne deposits and tampering.

PUSHBUTTON ACTUATION MECHANISM

Self-closing, vandal-resistant pushbutton does not require grasping or twisting.

PANELS

Backpanel constructed of stainless steel, No. 300 series with satin finish. Solid 14 gauge heavy duty stainless steel underplate and vandal resistant pinned torx screws. 1/4" thick heavy duty stainless steel mounting backplate on fountain arm.

AUTOMATIC STREAM HEIGHT REGULATOR

Self-closing assembly is located inside unit to prevent tampering and can be adjusted from front pushbutton. Unit resists corrosion and liming. A constant stream height is automatically maintained under line pressures that vary from 20 to 105 psi.

INLET STRAINER

Easily cleaned in-line strainer screen traps particles of 140 microns or larger before they enter the waterway.

WATER INLET

3/8" O.D. Tubing

DRAIN OUTLET

1-1/4" tube outlet for 1-1/4" slip joint connection.

SUGGESTED SPECIFICATIONS

Both fountains shall include pushbutton on the front. Both shall include contour-formed basins to eliminate splashing and standing water, and shall have rounded corners and edges. Each projector shall be chrome-plated vandal-resistant type with integral hood guard and anti-squirt feature. Fountain shall comply with ANSI 117:1 and ADA for visual and motion disabilities. The manufacturer shall certify the unit to meet the requirements of NSF/ANSI 61, and the Safe Drinking Water Act.

Note: Continued product improvement makes specifications subject to change without notice. See Halsey Taylor website for most current spec sheet.



Standard Finish is Stainless Steel

Optional Accessories (extra cost)

- Cane Touch Apron
- Water Filter (2 recommended)

Each HDIFFBLEBP consists of 1 carton as follows:

Fountain, Panel and Misc. Parts

Service stop not included.

Shipping weight: 80 lbs.

JOB NAME: _____

ENGINEER/CONTRACTOR NAME: _____

APPROVAL: _____
DATE: _____



HDFFBLEBP

Heavy Duty Contour™ Barrier-Free Bi-Level Fountain

(CONTINUED)

MOUNTING INSTRUCTIONS

Refer to diagrams for rough-in of plumbing. Mount wall plate assembly to wall per the installation instructions. Hang fountain panel over the wall plate assembly. Attach fountains to wall plate assembly. Water service line and waste line are to be assembled as required. Final check for leaks and correct functions of fountain should be made. (For details see the installation instructions.)

CAUTION — Fountain must be securely bolted to wall.

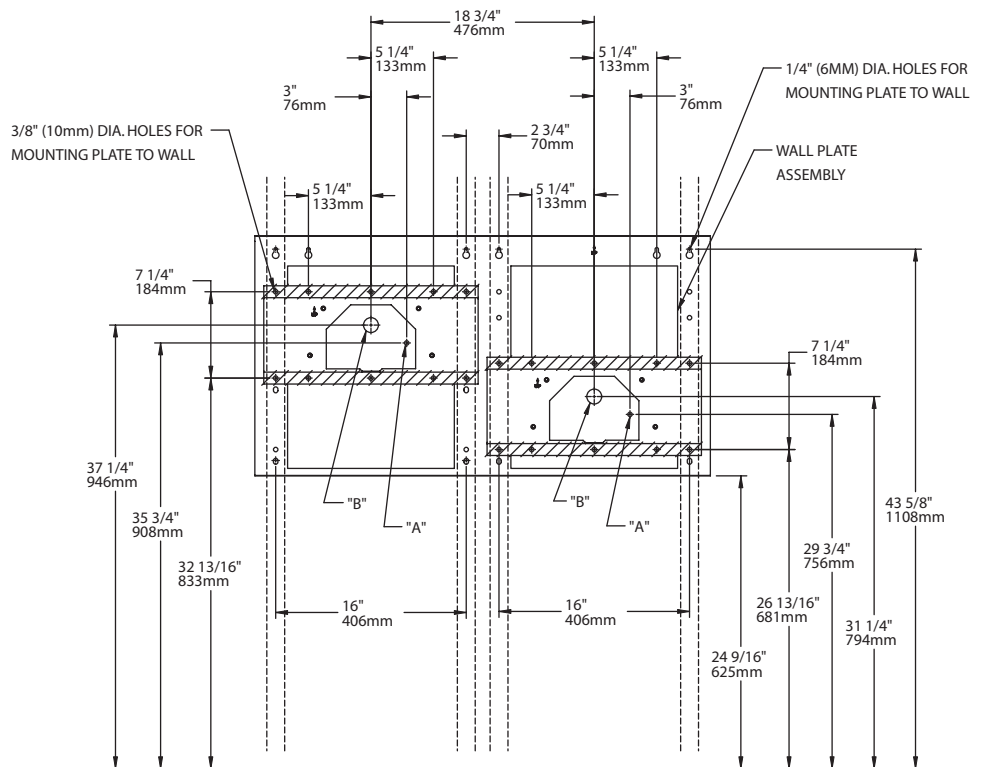
OPERATING PRESSURES:

Supply water - 105 psi maximum

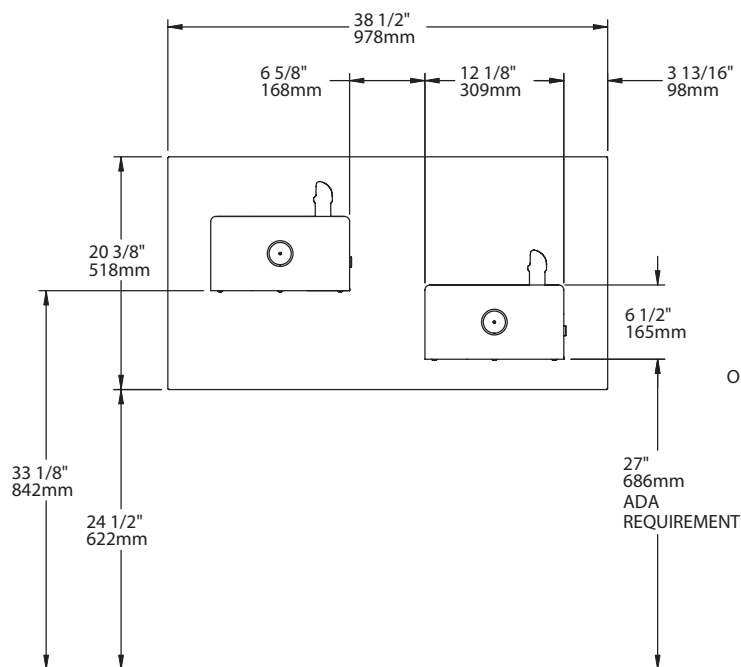
Installation requires trap to be installed in wall. A service supply stop must be installed at the fountain inlet line. Trap and service stop not included.

NOTE: For wall support required locations see installation instructions provided with panel and fountains.

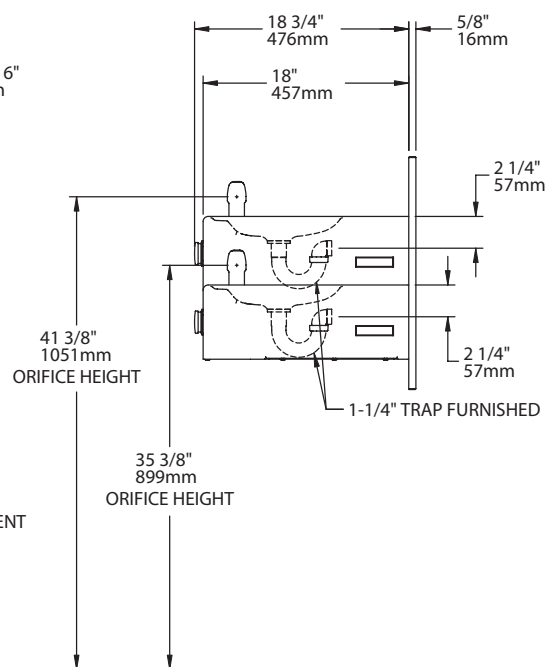
WALL LAYOUT



FRONT VIEW



SIDE VIEW



LEGEND

A = Recommended water supply location 3/8" O.D. unplated copper tube connect, stubbed 1-1/2" (38mm) from the wall. Shut off by others.

B = Recommended location for waste outlet 1-1/4" O.D. drain, stubbed 6-5/8" (168mm) from the wall.

Note: Reinforce the wall in the shaded areas.