

3482

Pedestal Mounted Drinking Fountain



FEATURES & BENEFITS

Construction

Stainless steel basin with a high-polished finish compliments almost any setting, and it also resists stains and corrosion.

Quality Control

Fountain is pre-built and fully water and pressure tested to ensure no leaks and proper function for reduced installation time and added peace of mind.

OPTIONS

No options available for this model.



SPECIFICATIONS

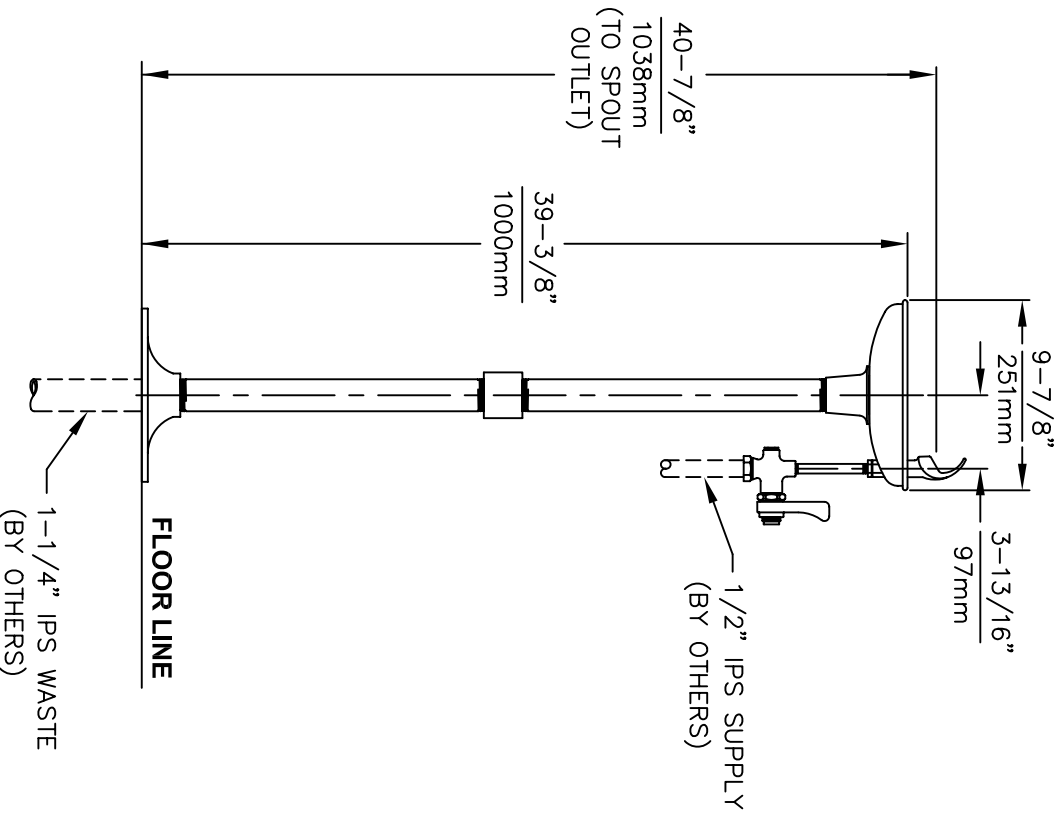
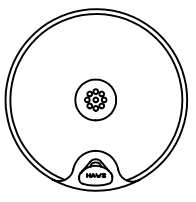
Model 3482 pedestal drinking fountain shall include a polished stainless steel basin, polished chrome-plated brass bubbler head, polished chrome-plated brass lever valve with adjustable stream regulation, galvanized steel stanchion, 9" powder-coated steel floor flange, and 1/2" IPS inlet.

APPLICATIONS

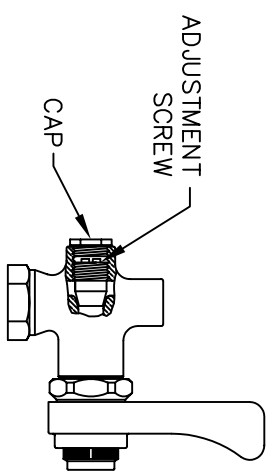
Perfect for either public or private settings, the 3482 pipe pedestal drinking fountain is great for those looking to obtain a full functioning fountain with a simplistic design. Unit fits nicely into campground settings and other environments that are in more remote areas where drinking fountain facilities are still needed. Corrosion resistant stainless steel bowl and lever handle valve with adjustable stream makes for just the right combination of protection and adjustability needed in a basic outdoor fountain.

Haws manufactures drinking fountains, electric water coolers and electric drinking fountains to be lead-free by all known definitions including ANSI/NSF Standard 61, Section 9, California Proposition 65, and the Federal Safe Drinking Water Act.

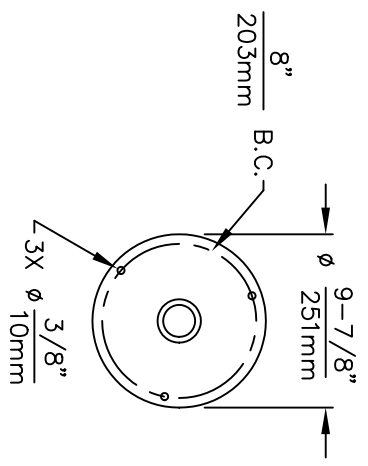




TO ADJUST FLOW, TURN ADJUSTMENT SCREW
COUNTER CLOCKWISE TO INCREASE FLOW, AND
CLOCKWISE TO DECREASE FLOW.



VALVE DETAIL
SCALE: 3X



MOUNTING DETAIL

ROUGH-IN DIMENSIONS MAY VARY ±1/4" (6.4mm).

INFO FAX : 1-888-FAX-HAWS (1-888-329-4297)
1455 Kiappa Ln, Sparks NY 13843
Phone: 775-359-4712 Fax: 775-359-7424
Haws Ag Building 3 CH-3401 Burgdorf Switzerland
Haws King Pte Ltd 74 Sungai Kodut Loop Singapore 729531
e-mail: Haws@hawsco.com Website: www.hawsco.com

FORM NO.	REV.	DATE	BY	CHKD.	APPV.
3482	06/92				

MODEL(S): 3482
INFO FAX DOC # 23482
SCALE: 1:10 DRAWING TYPE: INSTALLATION/FAKBACK

FORM NO.	REV.	DATE	BY	CHKD.	APPV.
10210C00	07/7446 D	10/06/00			

SIZE: A 1 SHEET 1 OF 1



INSTALLATION, OPERATION & MAINTENANCE INSTRUCTIONS

1455 Kleppe Lane ♦ Sparks, NV 89431-6467 ♦ (775) 359-4712 ♦ Fax (775) 359-7424
HAWS AG ♦ Bachweg 3 ♦ CH-3401 Burgdorf ♦ Switzerland
Haws Mfg. Pte Lt. ♦ 2A Sungei Kadet Drive ♦ Singapore 729554
Avlis-Avenida Senador, Testonio Vilela ♦ 505 Jardim Aeroporto ♦ Itu, S.P. 13304-550 ♦ Brasil
E-mail: haws@hawsco.com ♦ website: www.hawsco.com

No. 2077446(11)

Model 3482 Drinking Fountain

NOTE TO INSTALLER: Please leave this information with the Maintenance Department.

LIMITED WARRANTY

HAWS® warrants that all of its products are guaranteed against defective material or poor workmanship for a period of **one year from date of shipment**. HAWS liability under this warranty shall be discharged by furnishing without charge F.O.B. HAWS Factory any goods, or part thereof, which shall appear to the Company upon inspection to be of defective material or not of first class workmanship, provided that claim is made in writing to company within a reasonable period after receipt of the product. Where claims for defects are made, the defective part or parts shall be delivered to the Company, prepaid, for inspection. HAWS will not be liable for the cost of repairs, alterations or replacements, or for any expense connected therewith made by the owner or his agents, except upon written authority from HAWS, Sparks, Nevada. HAWS will not be liable for any damages caused by defective materials or poor workmanship, except for replacements, as provided above. Buyer agrees that Haws has made no other warranties either expressed or implied in addition to those above stated, except that of title with respect to any of the products or equipment sold hereunder and that HAWS shall not be liable for general, special, or consequential damages claimed to arise under the contract of sale. The drinking fountain manufactured by HAWS is warranted to function if installation and maintenance instructions provided are adhered to. The units also must be used for the purpose for which they were intended.

NO OTHER WARRANTIES EXPRESSED OR IMPLIED ARE AUTHORIZED, PROVIDED OR GIVEN BY HAWS.

SHOULD YOU EXPERIENCE DIFFICULTY WITH THE INSTALLATION OF THIS MODEL, PLEASE CALL:

1-800-766-5612

FOR PARTS CALL:

1-800-758-9378

**(U.S.A. AND CANADA ONLY) MONDAY-THURSDAY: 6:00 A.M. – 4:00 P.M. PST
FRIDAY: 6:00 A.M – 1:00 P.M. PST**

RECOMMENDED TOOLS: Hack saw, pipe joint sealant, screwdriver, level, 12" adjustable wrench, 10" pipe wrench, 5/64" hex key wrench, 9/16", 1/2", 7/16" socket wrench or open end wrench.

LOCATION OF UNIT: When installing Model 3482 Drinking Fountain, local, state or federal codes should be adhered to. If height other than shown is required, then dimensions must be adjusted accordingly.

SUPPLY LINE: The minimum recommended line size is 1/2"IPS with 30-90 psi (2-6 ATM) flowing pressure. Where sediment or mineral content is a problem, an inlet filter is recommended.

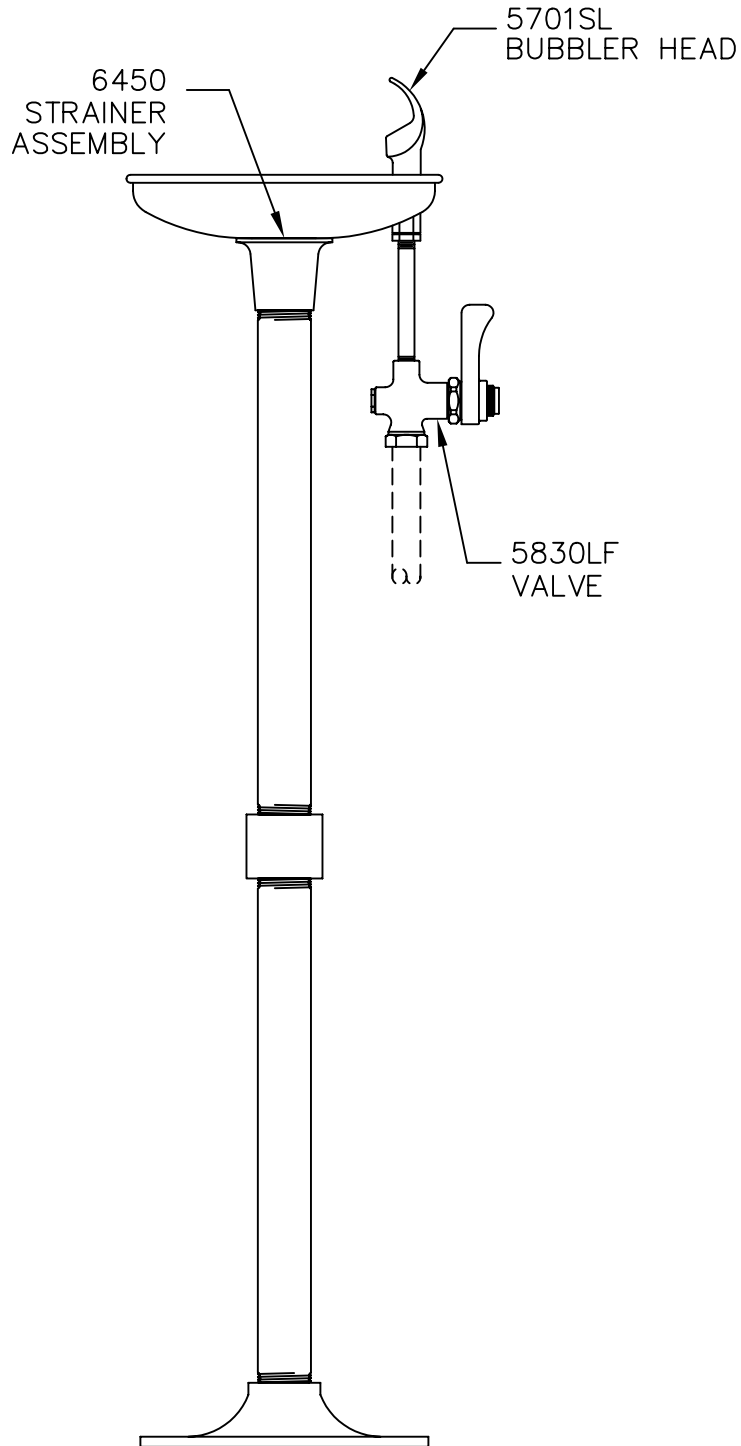
PLUMBING CONNECTIONS: Inlet at strainer is 3/8"O.D. female fitting. Waste outlet is 1-1/4" IPS.


MAINTENANCE: Periodically clean the strainer.

TROUBLESHOOTING

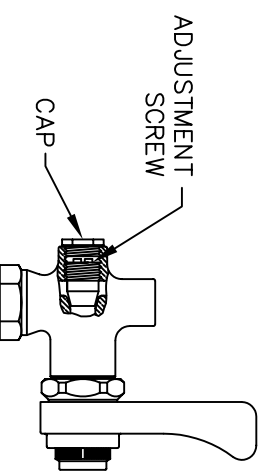
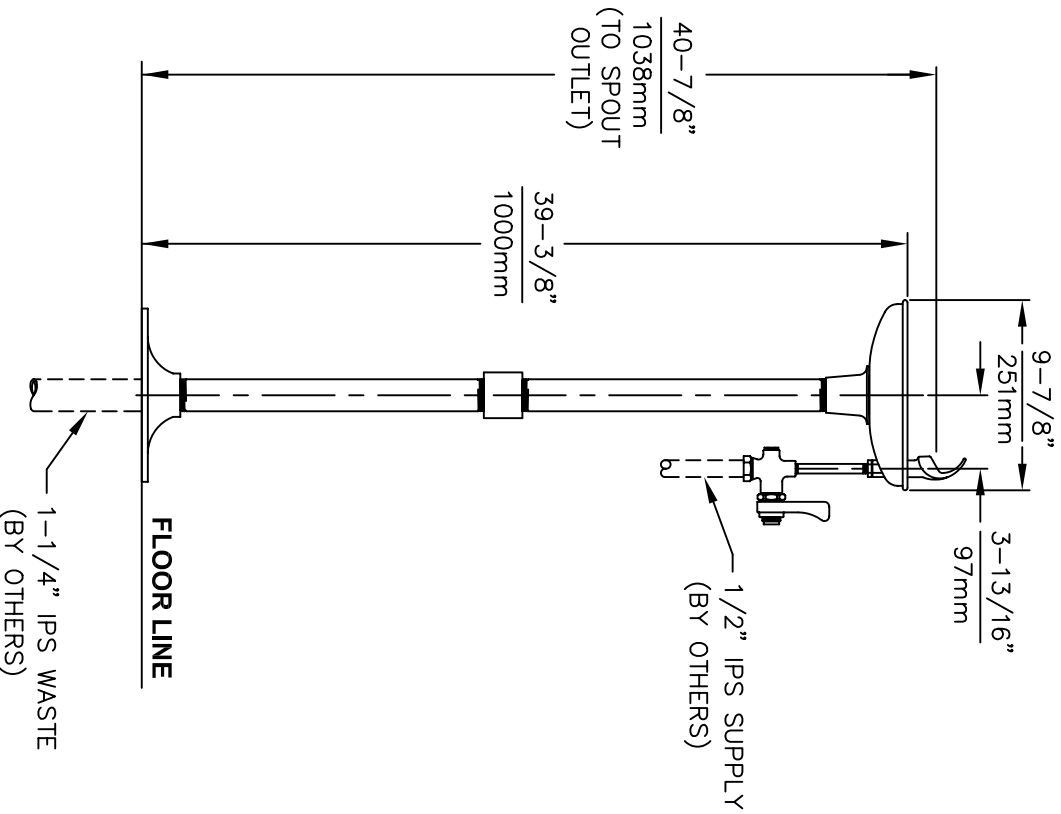
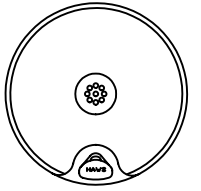
PROBLEM	REPAIR CHECKLIST
1. Insufficient bubbler flow.	1a. Check that inlet screwdriver stop valve is wide open. (Customer supplied) b. Verify minimum 30 psi flowing supply pressure. c. Clean inlet strainer. d. Turn adjustment screw counter-clockwise to increase flow. Remove cap (located on opposite side of handle) to gain access. See Installation Drawing.

PARTS BREAKDOWN

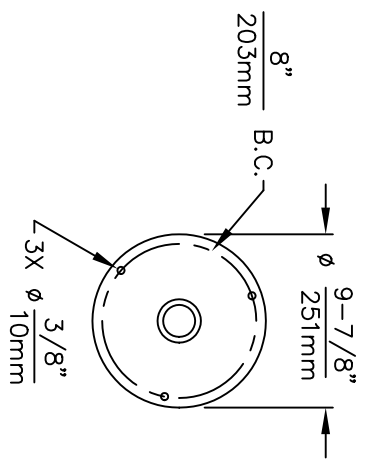


WHEN ORDERING PARTS PLEASE SPECIFY YOUR MODEL NUMBER			1455 KLEPPE LANE SPARKS, NEVADA		BACHWEG 3 CH3401 BURGENDORF SWITZERLAND	
	DRAWN BY: D. OLLOM	DATE: 11/25/95	CHECK BY:	APP'D BY:	SCALE: 1/3	
	TITLE: 3482			PART NUMBER: 002077446		
	DRAWING TYPE: PARTS BREAKDOWN			DRAWING NUMBER: 12819C00		REV. 11

TO ADJUST FLOW, TURN ADJUSTMENT SCREW COUNTER CLOCKWISE TO INCREASE FLOW, AND CLOCKWISE TO DECREASE FLOW.



VALVE DETAIL
SCALE: 3X



MOUNTING DETAIL

ROUGH-IN DIMENSIONS MAY VARY ±1/4" (6.4mm).

Haws Corporation

INFO FAX : 1-888-FAX-HAWS (1-888-329-4297)

1455 Kiappa Ln, Sparks NY 99431
 Phone: 775-359-4712 Fax: 775-359-7424
 Haws AG Buchweg 3 CH-3401 Burgdorf Switzerland
 Haws King Pte Ltd 74 Sungai Kodut Loop Singapore 729531
 e-MAIL: Haws@hawsco.com Website: www.hawsco.com

FORM NO.	REVISE	DATE	BY	CHK'D	SCALE
3482		06/92			1/8"

MODEL(S): 3482

INFO FAX DOC # 23482

DATE: 06/92

APPROVED: [Signature]

SIZE: A 1 SHEET 1 OF 1