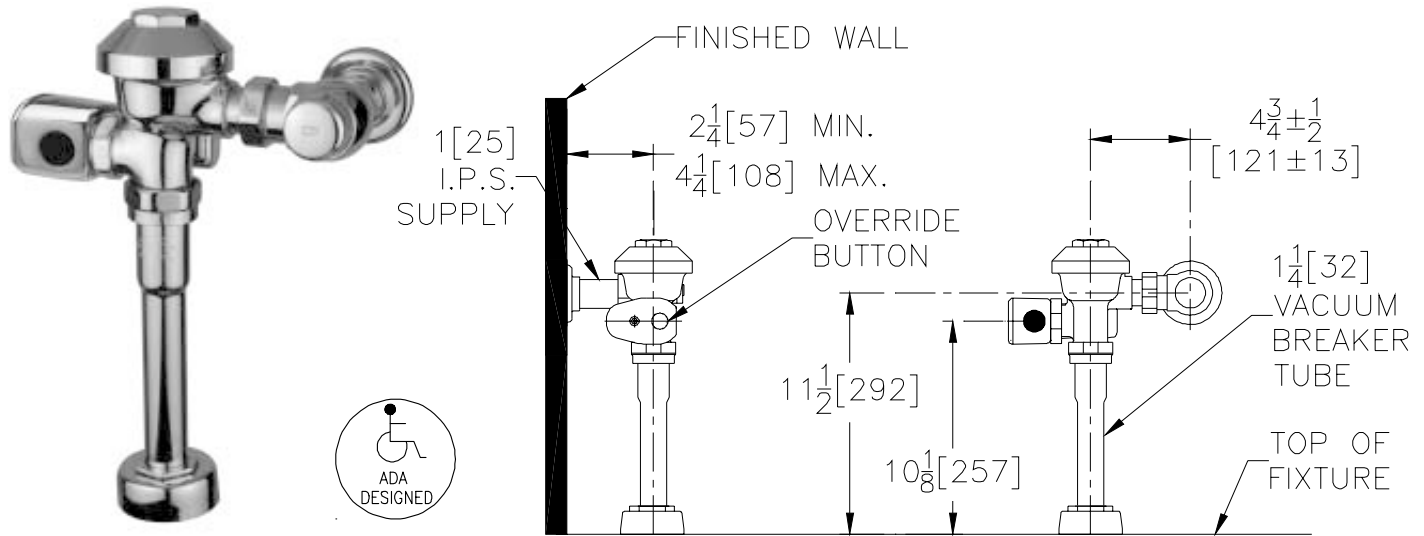




Exposed ZR6001AV Model

Sensor Operated Battery Powered Flush Valve

For 1-1/4" Urinals



Flow Options

- WS1** 1.0 Gal. Low Consumption
- WS** 1.5 Gal. Water Saver
- Standard Flush** 3.0 Gallons Per Flush

Suffix Options (Check/Specify Appropriate Options)

- _____ **-YJ** Split Ring Pipe Support
- _____ **-YK** Solid Ring Pipe Support
- _____ Other

ENGINEERING SPECIFICATION: ZURN ZR6001AV

AquaSense® Exposed 1-1/4[32] Urinal Flush Valve - Exposed, quiet diaphragm-type, chrome plated, flushometer valve with Zurn's TPE, chloramine resistant, diaphragm with a clog resistant bypass. The valve incorporates a 6VDC solenoid valve, a battery powered automatic sensor with manual override push button, a brass electronics housing with polished chrome plated exterior, high back pressure vacuum breaker, hex coupling nut and adjustable tailpiece, spud coupling and flange for top spud connection. Control stop has internal siphon-guard protection, vandal resistant cap, sweat solder kit, and a cast wall flange with set screw. Internal seals are made of chloramine resistant materials.

This space is for Architectural/engineering Approval