



Water Coolers

BARRIER-FREE VERSACOOLER®

Energy and Water Conservation Technology

PG8AC, PGAC, Mechanical Activation

Suggested Specification

Model PG8AC shall be for Green Specified construction, deliver 8.0 gph of 50°F water at 90°F ambient and 80°F inlet water. Model PGAC is a non-refrigerated drinking fountain and delivers ambient water. Models PG8AC and PGAC shall include front and side push pads to shall be Mechanically Activated. Basin shall be designed to eliminate splashing and standing water. **Water Saver Bubbler reduce waste water by 50%** and shall have a flexible guard and operate between 20 and 120 psi. Cabinet finish shall be Sandstone powder coated paint on galvanized steel or brushed stainless steel. **New** High Efficient positive start compressor and cooling system shall use R-134a refrigerant, fully insulated and controlled by positive sensing thermostat. Shall comply with ANSI A117.1 and ADA. Shall be listed by Underwriters' Laboratories to U.S. and Canadian standards. Shall comply with ANSI/NSF 61, ARI standard 1010.

Models

PG8AC delivers 8.0 gallons of chilled drinking water per hour. **PGAC** is a non-refrigerated fountain. These models satisfy CABO/ANSI A117.1. This cooler will comply with ADA guidelines when properly installed. Models also meet guidelines for children's accessibility providing the floor to orifice height is 30 inches and proper clear floor space is provided for frontal approach.

Standard Features

- > Built-in 100 micron strainer stops particles before they enter the waterway
- > Waterways are lead-free in materials & construction
- > Stainless Steel top
- > Flexible, one-piece **Water Saver Bubbler** guard
- > Heavy Duty galvanized steel frame
- > **New** High Efficiency cooling system
- > Refrigerant R-134a
- > Four push pad Mechanical activation electricity not required
- > External stream height adjustment



Finishes

- > Standard cabinet finish: Sandstone powder coated paint on steel
- Optional finishes at additional cost: Stainless Steel, Regency Bronze, and optional powder coated finishes

Options (at additional cost)

- > Glass Fillers (factory installed)
- > Push Handle (029603-004)
- > Push Back (029603-005)
- > Push Down (029603-006)
- > **Filtration System 100% Biodegradable**
- > Stainless Steel Bubbler

Installation

- > Prior to roughing, consult with local, state and federal codes for proper mounting height
- > Shipped with complete instructions and wall mounting bracket
- > Removable side and front panels provide easy access for installation

Project Name: _____

Engineer/Contractor Name: _____

Approval: _____

Date: _____

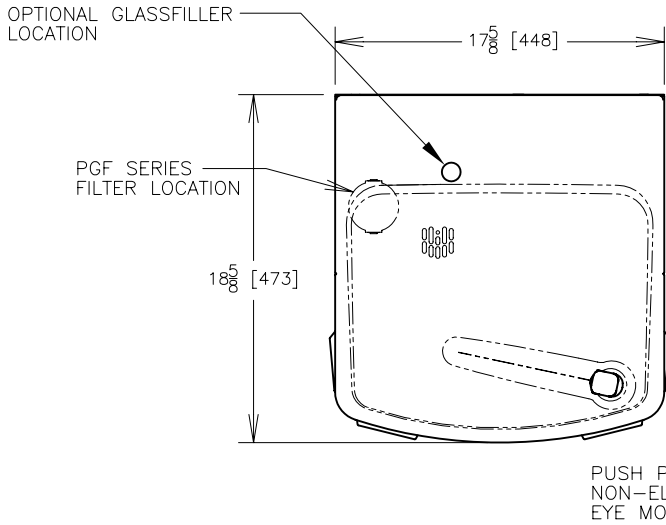


Model	50°F Drinking Water 90°F Ambient Air Temperature*			Hot 'N Cold™ Model	115 Volts, 60 Hz			Glass Filler Acces. Option	Cabinet Color Finish	Net Wt. Approx.
	Rated Capacity GPH	Base Rate GPH	Pre-Cooler		Compr. HP	Full Load Amps	Rated Watts			
PG8AC	8.0	8.0	No	No	1/4	3.1	286	Yes	Yes	59 lbs.
PGAC								Yes	Yes	25 lbs.

* Industry Standard Rating Condition 80°F inlet water temperature
 ** Special export models available, operable on 220-240 volts, 50/60 Hz
 Specifications subject to change without notice

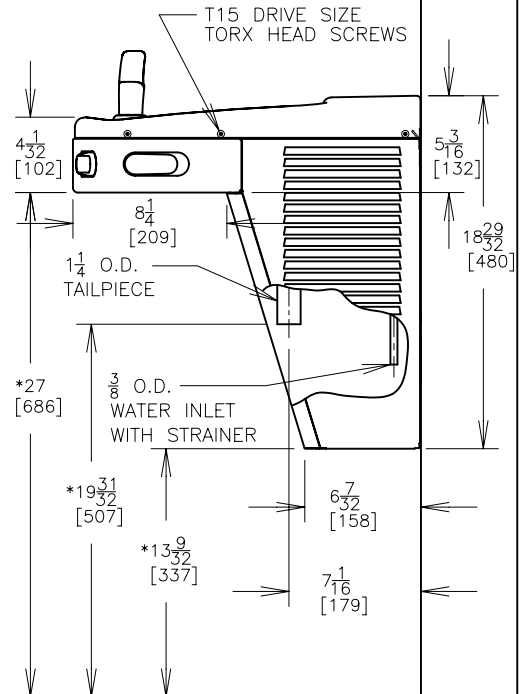
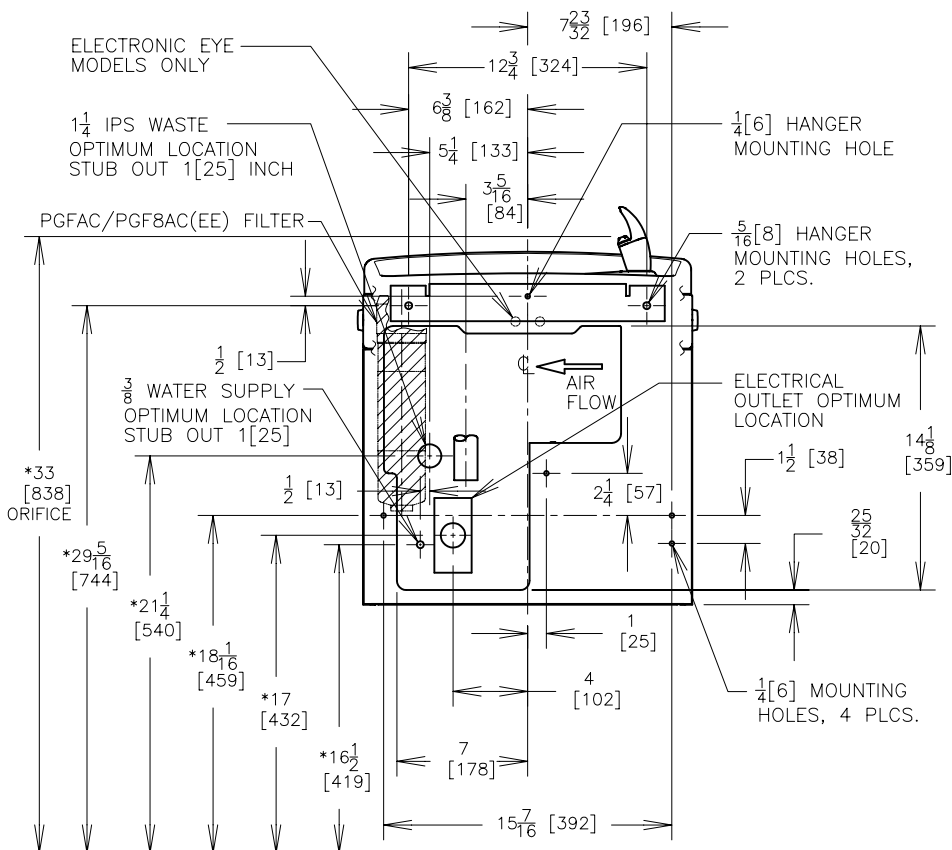
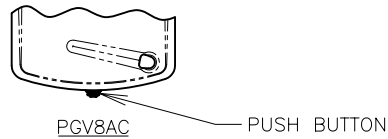
OASIS® BARRIER-FREE Versacooler® II MODELS

PG8AC, PGAC, PG8ACEE, PGF8AC, PGFAC, PGF8ACEE, PGV8AC

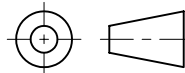


NOTES:

1. TRAP, STOP VALVE AND ELECTRICAL OUTLET NOT FURNISHED.
2. ALLOW 4 INCHES [102 MM] MIN. PER SIDE FOR VENTILATION.
- *3. RECOMMENDED ADULT BARRIER FREE HEIGHT INSTALLATION SHOWN. REDUCE HEIGHT BY 3 INCHES FOR INSTALLATIONS USED PRIMARILY BY CHILDREN AGES 12 AND YOUNGER. UNIT SHALL ALSO HAVE A MINIMUM CLEAR FLOOR SPACE 30[760] BY 48[1220]. ADJUST VERTICAL DIMENSIONS AS REQ'D TO COMPLY WITH FEDERAL, STATE, AND LOCAL CODES.
4. ALL DIMENSIONS ARE IN INCHES. DIMENSIONS IN BRACKETS [] ARE IN MILLIMETERS.



THIRD ANGLE PROJECTION



ROUGHING-IN
AND
DIMENSIONAL DRAWING