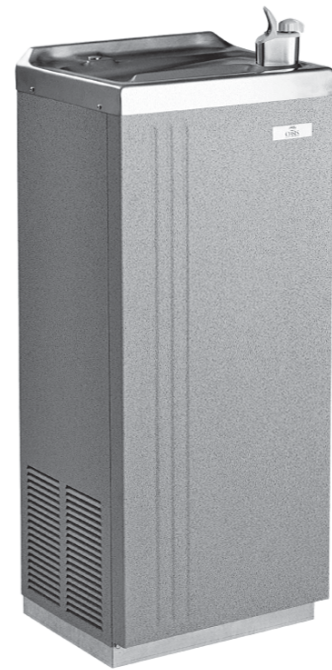




Water Coolers



HOT 'N COLD AGAINST-A-WALL OR FREE-STANDING

PLF8FAH, PLF14FAH

Suggested Specification

Cabinet finish shall be Sandstone powder coated paint on galvanized steel or brushed stainless steel. Cooling system shall use R-134a refrigerant. Shall be listed by Underwriters' Laboratories to U.S. and Canadian standards and conform to European Union Directives.

Models

PLF8FAH delivers 8 gph of chilled drinking water plus 45 cups of piping hot water

PLF14FAH delivers 14 gph of chilled drinking water plus 45 cups of piping hot water

Standard Features

- > Waterways are Lead-free in Materials and Construction
- > Dial-A-Drink® Bubbler
- > Stainless steel top
- > Heavy-gauge steel cabinet with separate galvanized steel base
- > High-efficiency cooling tank and coil.
- > Refrigerant R-134a
- > Product Certified to NSF/ANSI Standard 61, Annex G (AB1953)
- > Limited 5-year warranty

Finishes

- > Standard Cabinet Finish: Sandstone powder coated paint on galvanized steel
- > Optional finishes (at additional cost): Stainless Steel and optional powder coated finishes.

Installation

- > Prior to roughing-in, consult local, state and federal codes
- > Shipped with complete instructions

Options

- > Push Handle 029603-004
- > Push Back 029603-005
- > Push Down 029603-006
- > Kit 031505-001 is required for Field Installation of the above glass fillers (except Model PLF8FAH, PLF14FAH)
- > Foot pedal operated



Components in this cooler are lead free as defined by the Safe Drinking Water Act Amendments of 1986, and the Lead Contamination Control Act of 1988.

Limited 5-Year Warranty (Continental limits of the United States and Canada): Five years on the sealed refrigeration system and most components parts. Detailed warranty certificate enclosed with each water cooler; sample copy available upon request.

Export Warranty: One year on sealed refrigeration system and most parts. Four-year replacement contract on sealed refrigeration system. Detailed warranty certificate enclosed with each water cooler; sample copy available upon request.

Product Certified to NSF/ANSI Standard 61, Annex G (weighted average lead content of $\leq 0.25\%$) and is in compliance with California's Health & Safety Code Section 116875 (commonly known as AB1953).

Models covered by this specification comply with all known Plumbing Codes. Listed by Underwriters' Laboratories to U.S. and Canadian standards and European Union Directives.



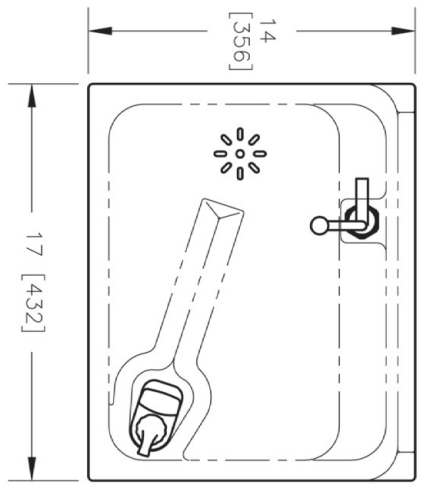
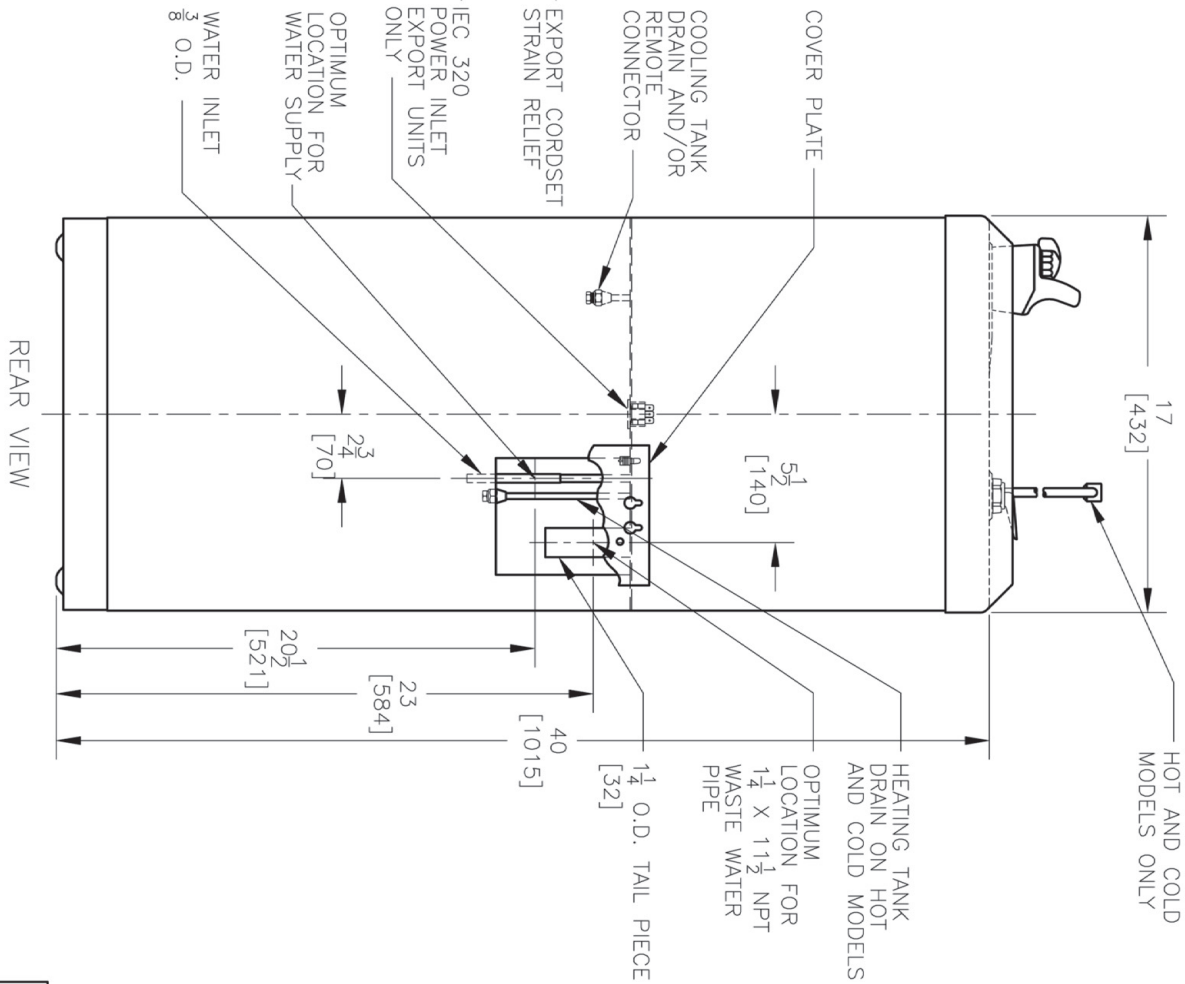
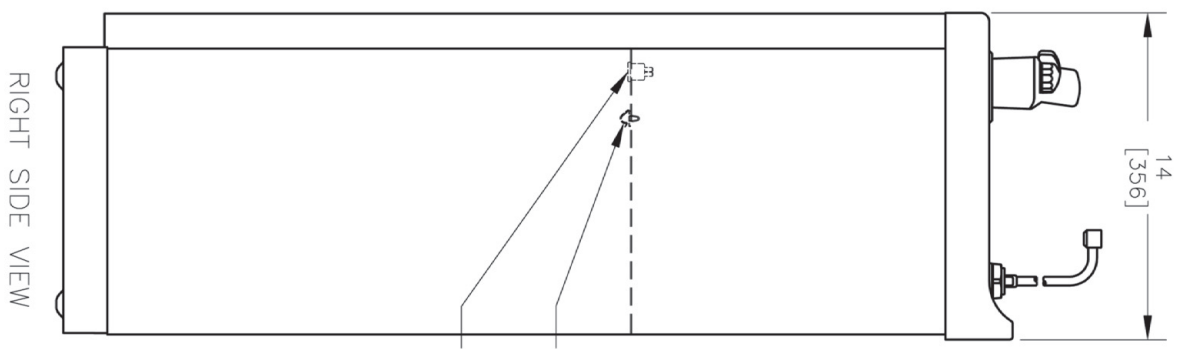
Certified to NSF/ANSI 61-G

Model	50° F Drinking Water 90° F Ambient Air Temp*			Hot 'N Cold™ Model**	115 Volts, 60 HZ			Glass Filler Acc. Option	Cabinet Color Options	Net Wt. Approx.
	Cooling Capacity GPH (LPH)	Base Rate GPH (LPH)	Pre-Cooler		Compr. HP	Full Load Amps	Rated Watts			
PLF8FAH	8.0	8.0	No	Yes	1/5	8.9	820	No	Yes	98 Lbs.
PLF14FAH	14.0	8.0	Yes	Yes	1/5	8.9	820	No	Yes	99 Lbs.

* Industry Standard Rating Condition 80°F inlet water temperature.

** Hot 'N' Cold model delivers 45 six-ounce cups of water per hour in addition to cold water.

OASIS™ HOT 'N COLD AGAINST-A-WALL OR FREE-STANDING WATER COOLER MODELS PLF8AH, PLF14FAH



ALL DIMENSIONS ARE IN INCHES.
 DIMENSIONS IN BRACKETS []
 ARE IN MILLIMETERS.
 ALLOW 4" [102] FOR VENTILATION
 IF WATER COOLER IS SET IN AN
 ALCOVE OR NEAR A CORNER.



ROUGHING-IN
 AND
 DIMENSIONAL
 DRAWING