



Cast Iron

Pedestal Fountain



Standard Finish is Forest Green powder coat epoxy

Trap and service stop not included.

Shipping weight: 27 lbs.

MODEL: 4616 (30") 4617 (36")



These fountains are certified to NSF/ANSI 61.

GENERAL

Pedestal, cast iron closed base with forest green enamel finish for year-round beauty with minimum maintenance. Contour-formed basin with rounded corners and edges reduces splatter, insures proper drainage and prevents standing waste water. **Model 4616** is 30" high and **Model 4617** is 36" high

BUBBLER

Single-stream, self-closing, pushbutton operated with integral volume control for maintaining proper stream height. Also includes hood guard and anti-squirt feature.

AUTOMATIC STREAM HEIGHT REGULATOR

Self-closing assembly is located inside unit to prevent tampering. Unit resists corrosion and liming. A constant stream height is automatically maintained under line pressures that vary from 20 to 105 psi.

INLET STRAINER

Easily cleaned in-line strainer screen traps particles of 140 microns or larger before they enter the waterway.

WATER INLET

3/8" O.D. Tubing

DRAIN OUTLET

1-1/4" tube outlet for 1-1/4" slip joint connection.

SUGGESTED SPECIFICATIONS

Fountain shall include pushbutton on the front. Shall include contour-formed basin to eliminate splashing and standing water, and shall have rounded corners and edges. Projector shall be single-stream type with integral hood guard and anti-squirt feature. The manufacturer shall certify the unit to meet the requirements of NSF/ANSI 61, and the Safe Drinking Water Act.

Note: Continued product improvement makes specifications subject to change without notice. See Halsey Taylor website for most current spec sheet.

JOB NAME: _____

ENGINEER/CONTRACTOR NAME: _____

APPROVAL: _____

DATE: _____



4616 (30"), 4617 (36")

Cast Iron Pedestal Fountains

(CONTINUED)

MOUNTING INSTRUCTIONS

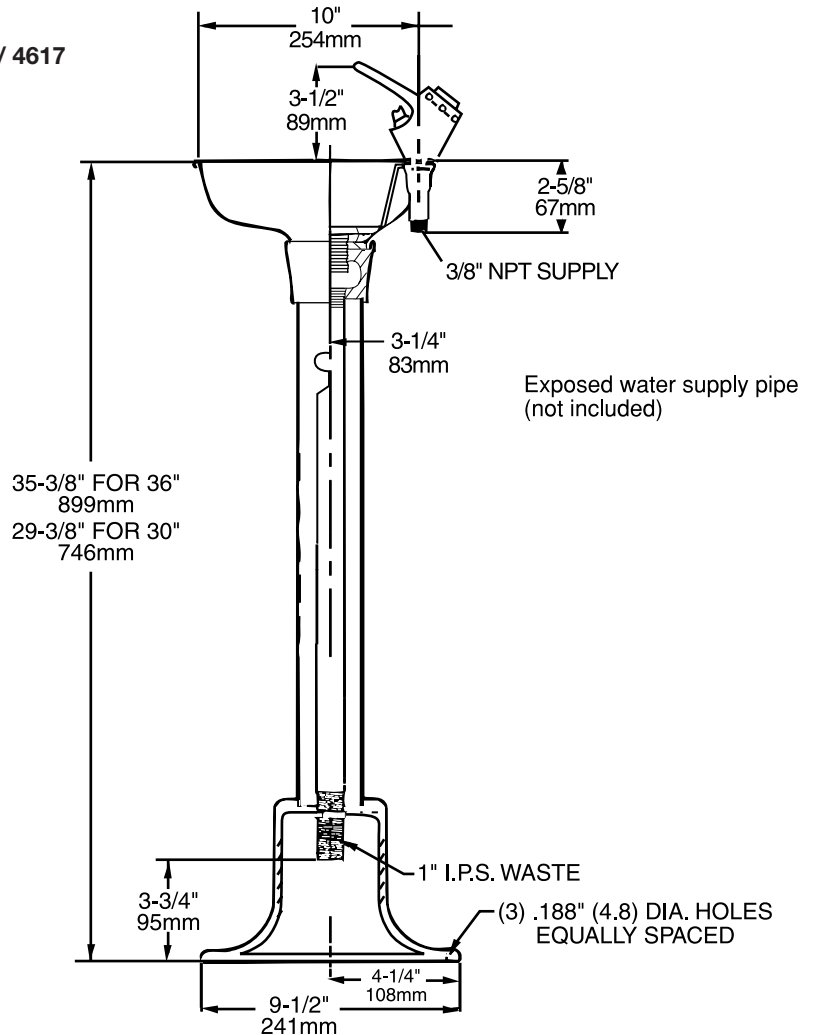
- Provide solid, well-drained surface to mount fountain.
- Locate and install plumbing through ground as shown in rough-in.
Note: Fountain is not furnished with service valve.
- Locate three tripod mounting holes as shown on rough-in. Mounting bolts not furnished – $\frac{7}{16}$ " diameter holes provided in tripod.
- Remove set screw in side of tripod cover and raise cover to aid in positioning fountain over mounting holes. Support cover with blocking while making plumbing connections.
- Use unions to connect supply and waste lines.
- Anchor tripod to ground.
- Turn on water supply and check for water leaks.
- Lower tripod cover, align hole for set screw and tighten set screw into leg of tripod.
- Stream height is factory set at 45-50 psi.

Trap and service stop not included.

OPERATING PRESSURES:

Supply water- 20 psi minimum to 105 psi maximum.

4616 / 4617



Halsey Taylor®