



**BARRIER-FREE UNIVERSAL SPLIT LEVEL VERSACOOLER® II**  
**Energy and Water Conservation Technology**  
**PG8ACSL, PGACSL**

**Suggested Specification**

Model PG8ACSL shall deliver 8.0 gph of 50° F degree water at 90° F ambient and 80° F inlet water. Model PGACSL is a non-refrigerated drinking fountain and delivers ambient water. Models PG8ACSL and PGACSL shall include front and side antimicrobial copper push pads. Basin shall be designed to eliminate splashing and standing water. Water saver bubbler reduce waste water by 50% and shall have flexible guard and operate between 20 and 100 PSI. Cabinet finish shall be sandstone on galvanized steel or brushed stainless steel. Cooling system shall use R-134a refrigerant. Shall comply with ANSI 117.1 and ADA. Shall be listed by Underwriters Laboratories to US and Canadian standards. Shall comply with ANSI/NSF 61 and NSF/ANSI 372.

**Models**

- PG8ACSL delivers 8.0 gallons of chilled drinking water per hour
- PGACSL is a non-refrigerated fountain

**Standard Features**

- Universal design includes a universal side access panel and universal drain pipe that allows the unit to be installed left high, right low or right high, left low
- Built-in 100 micron strainer stops particles before they enter the waterway
- Waterways are Lead-Free in materials & construction
- Stainless steel top
- Flexible and one-piece water saver bubbler
- Heavy duty galvanized steel frame
- Refrigerant R-134a
- Four antimicrobial copper push pads

**Finishes**

- Standard cabinet finish: Sandstone powder coated paint on galvanized steel
- Optional finishes (at additional cost): Stainless steel and optional greystone powder coated paint

**Installation**

- Prior to roughing consult with local, state and federal codes for proper mounting height
- Shipped with complete instructions and wall mounting bracket
- Removable side and front panels provide easy access for installation

**Options (at additional cost)**

- Glass filters (factory installed)
- Push handle (029603-004)
- Push back (029603-005)
- Push down (029603-006)
- One piece chrome plated brass bubbler (036700-001)
- Apron for upper unit

**Limited 5-Year Warranty**

(Continental limits of the United States and Canada)  
 Five years on the sealed refrigeration system and most component parts. Detailed warranty certificate enclosed with each water cooler; sample available upon request.

**Export Warranty**

One year on components parts. Detailed warranty certificate enclosed with each drinking fountain; sample copy available upon request.

**Certifications/Compliance**

- Antimicrobial Copper - EPA Registration No. 89187-3
- Oasis International Electric Water Coolers are listed by Underwriters Laboratories Inc. and comply with both U.S. and Canadian Requirements.
- Product Certified to NSF/ANSI Standard 61-G & 372 and conforms with the lead content requirements for “lead free” plumbing as defined by California, Vermont, Maryland, and Louisiana state laws and the U.S. Safe Drinking Water Act.
- This unit complies with ARI standard 1010 Testing, Operating and Rating requirements (electric water coolers only).
- These water coolers comply with the requirements of ADA (Americans with Disabilities Act) when properly installed.



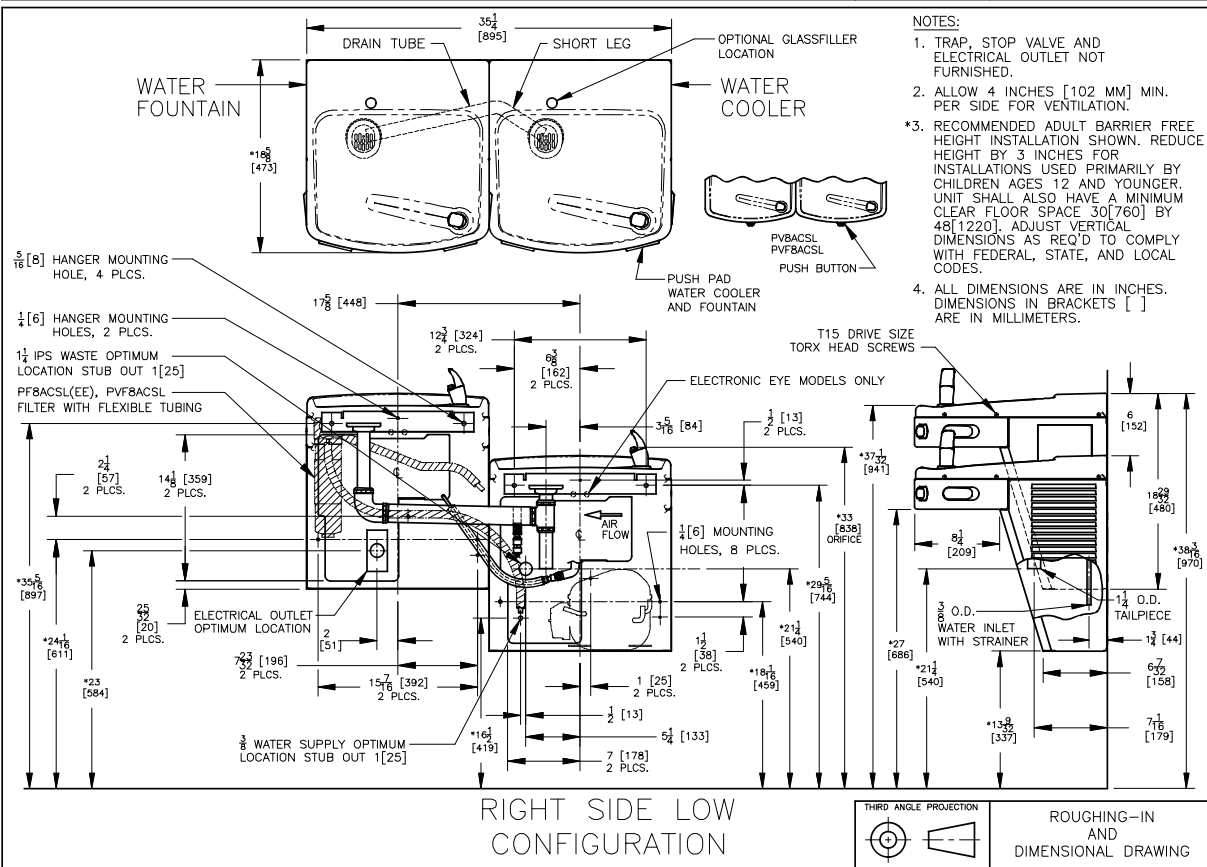
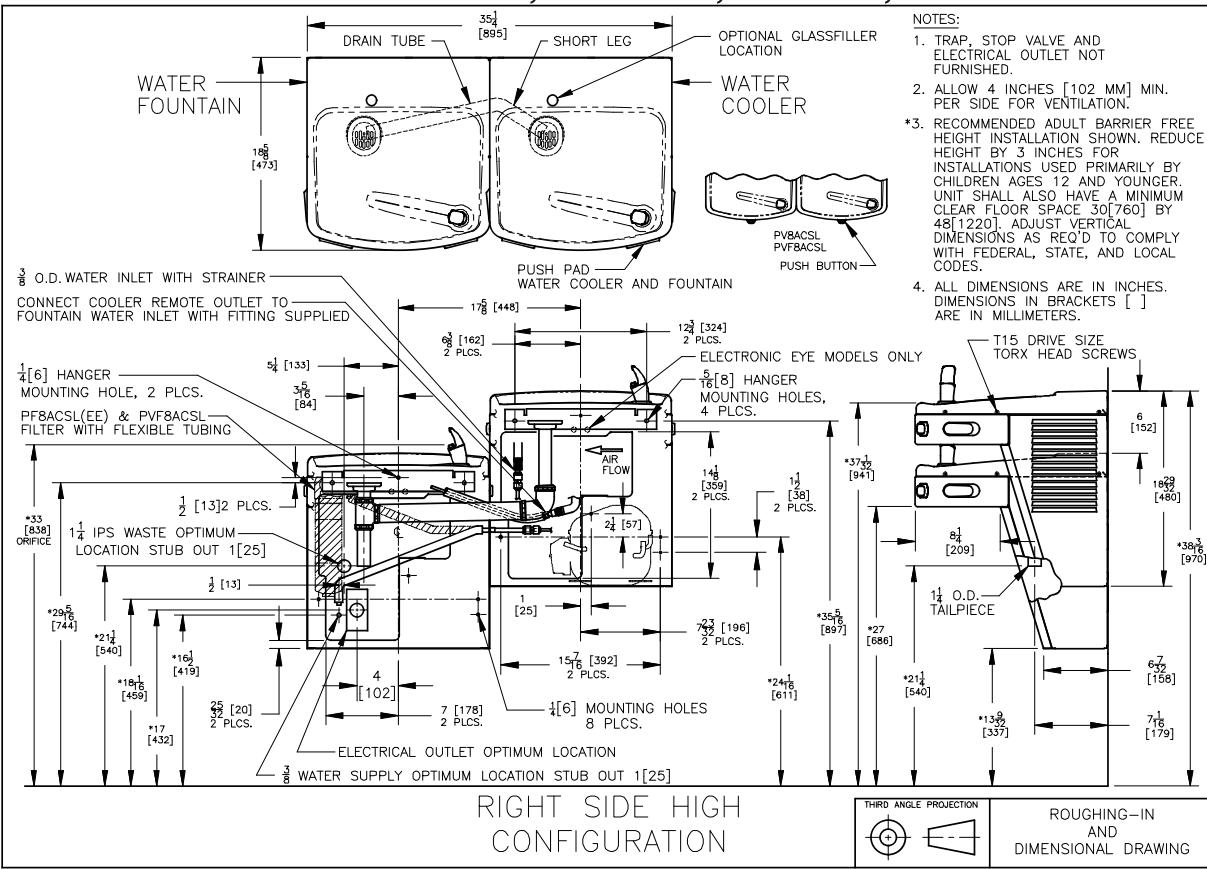
Model	50° F Drinking Water 90° F Ambient Air Temp*			Hot N' Cold™ Model	115 Volts, 60 HZ			Glass Filter Acc. Option	Cabinet Color Finish	Net WL Approx.
	Rated Capacity GPH	Base Rate GPH	Pre-Cooler		Compr. HP	Full Load Amps	Rated Watts			
P8AC**	8.0	8.0	No	No	1/4	4.6	460	Yes	Yes	59 Lbs.
PAC	Fountain Only							Yes		29 Lbs.

\* Industry Standard Rating Condition 80° F inlet water temperature

\*\* Special export models available, operate on 220-240 volts, 50/60 Hz

Specifications subject to change without notice

**OASIS® VERSACOOLER® II MODELS**  
**PGACSL, PG8ACSL, PG8ACSLT, PGV8ACSL, PGVF8ACSL**  
**SUNROC MODELS ADA8ACB, ADA8ACBF, ADAF8ACB, ADAFACBFH**



Form 3973 | Rev. 06/11

Oasis International | 222 East Campus View Blvd. | Columbus, OH 43235  
 For Customer Service and Technical Helpline assistance call: 800.950.3226

Oasis is a registered trademark of LVD Acquisition, LLC dba Oasis International © 2012



[www.oasiscoolers.com](http://www.oasiscoolers.com)