

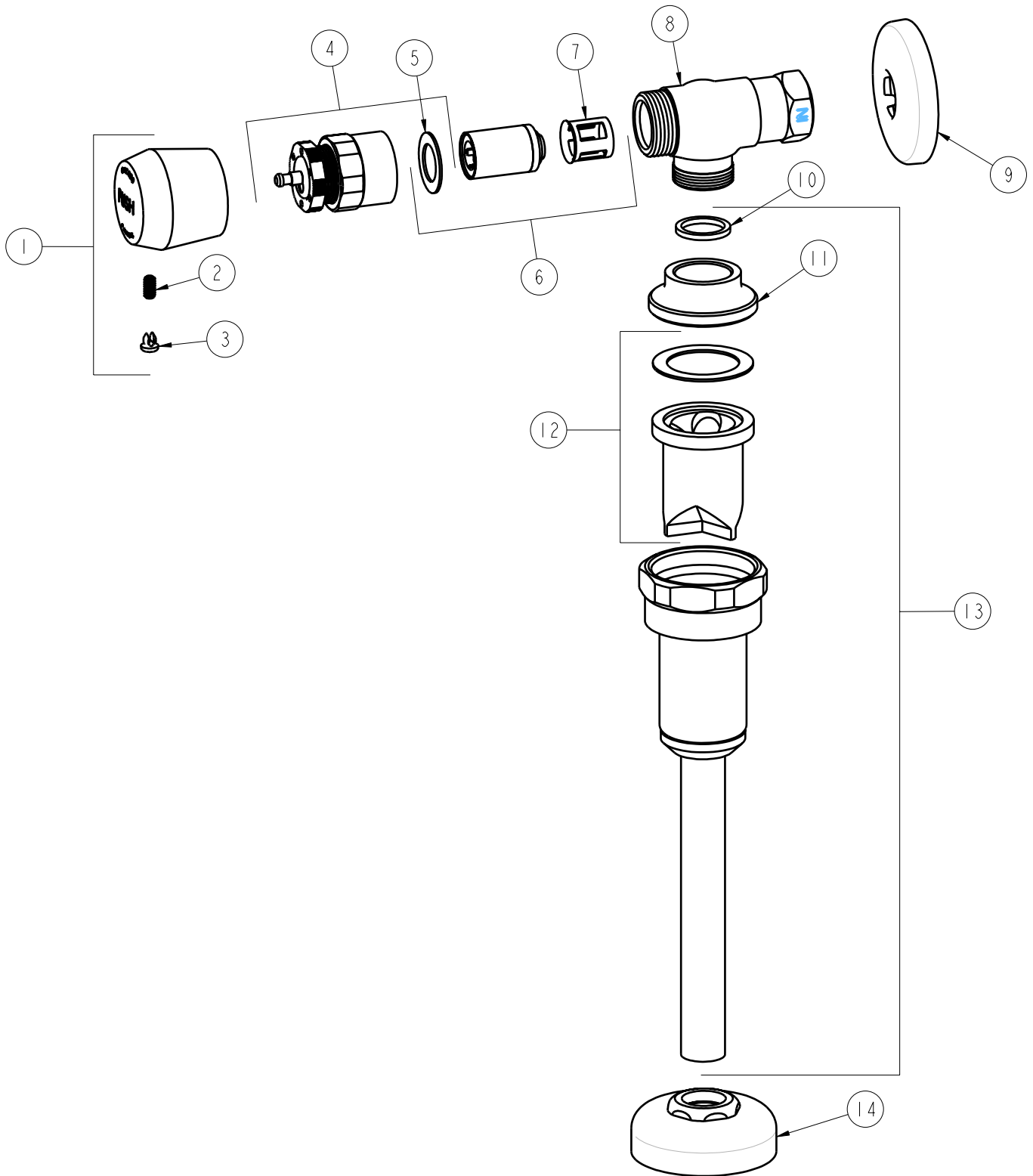
# PARTS LIST

BY: SID  
CHK'D: *[Signature]*



FINISH: AS SPECIFIED  
DATE: 10-17-03  
REV: 04-02-07

732-VB665PSH



ITEM NO.	PART NO.	DESCRIPTION	ITEM NO.	PART NO.	DESCRIPTION
1	665-PSH	HANDLE PUSH BUTTON ASSEMBLY	8	-----	VALVE BODY (NOT SOLD SEPARATELY)
2	665-116	SET SCREW	9	749-016	WALL FLANGE
3	665-309K	BUTTONS, HOT AND COLD	10	734-005	GASKET
4	665-190K	ACTUATOR ASSEMBLY	11	734-001	ADAPTER
5	665-011	SEALING WASHER	12	734-105K	URINAL V.B. REPAIR KIT
6	671-X	METERING VALVE CARTRIDGE	13	734	URINAL VALVE VACUUM BREAKER
7	667-402	FILTER	14	142-PP	FLANGE ASSEMBLY PRE-PACK