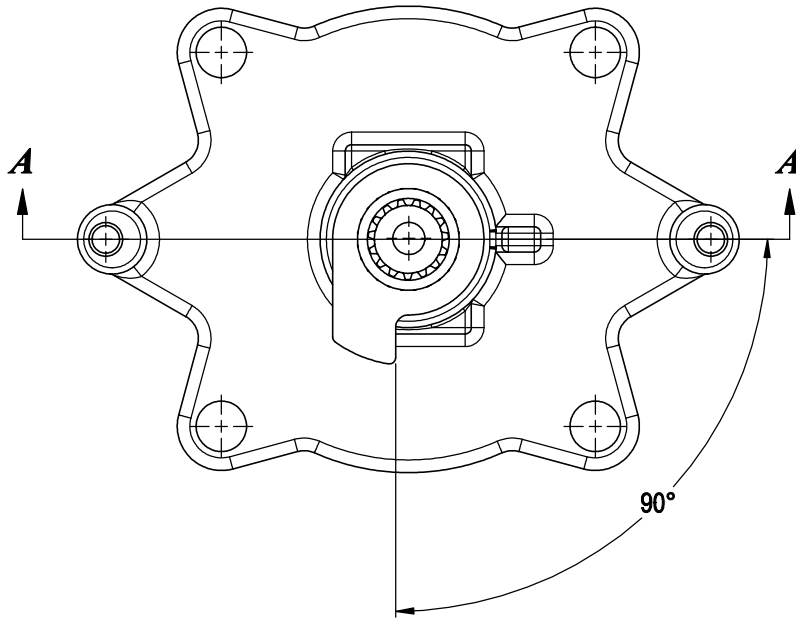
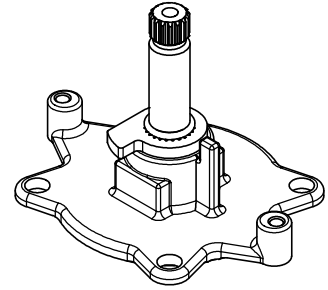
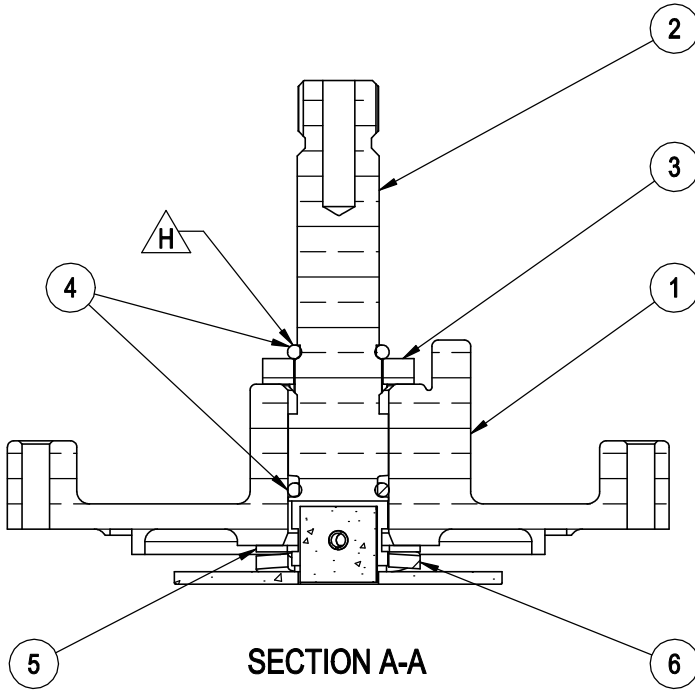


REF NO.:



6	0333-008-000	THRUST WASHER	1
5	0334-008-000	PHENOLIC/LINEN WASHER	1
4	0401-012-000	#12 O-RING 3/8 x 1/2 x 1/16	2
3	2413-000-199	TEMPERATURE LIMITING STOP	1
2	2409-000-001	STEM & PLATE ASSEMBLY	1
1	2405-005-199	FORGED BRASS BONNET	1
ITEM	PART NUMBER	DESCRIPTION	QTY



ACORN ENGINEERING COMPANY
 P.O. BOX 3627 Industry, CA 91744
 15125 Proctor Ave Industry, CA 91746
 (626)336-4561 FAX (626) 961-2200

TITLE CAST BRONZE BONNET CAP ASSY.				MATERIAL TYPE HALB		
JOB OR SECTION SAFTI-TROL VALVE				DRAWING NUMBER 2405-000-001		
SCALE 1:1	DATE 8-23-68	DRN. BY W.H.	ENGINEERING CHANGE NO.:	ECO REVISION H	REV. DATE 04-17-09	SHEET 1 OF 1