

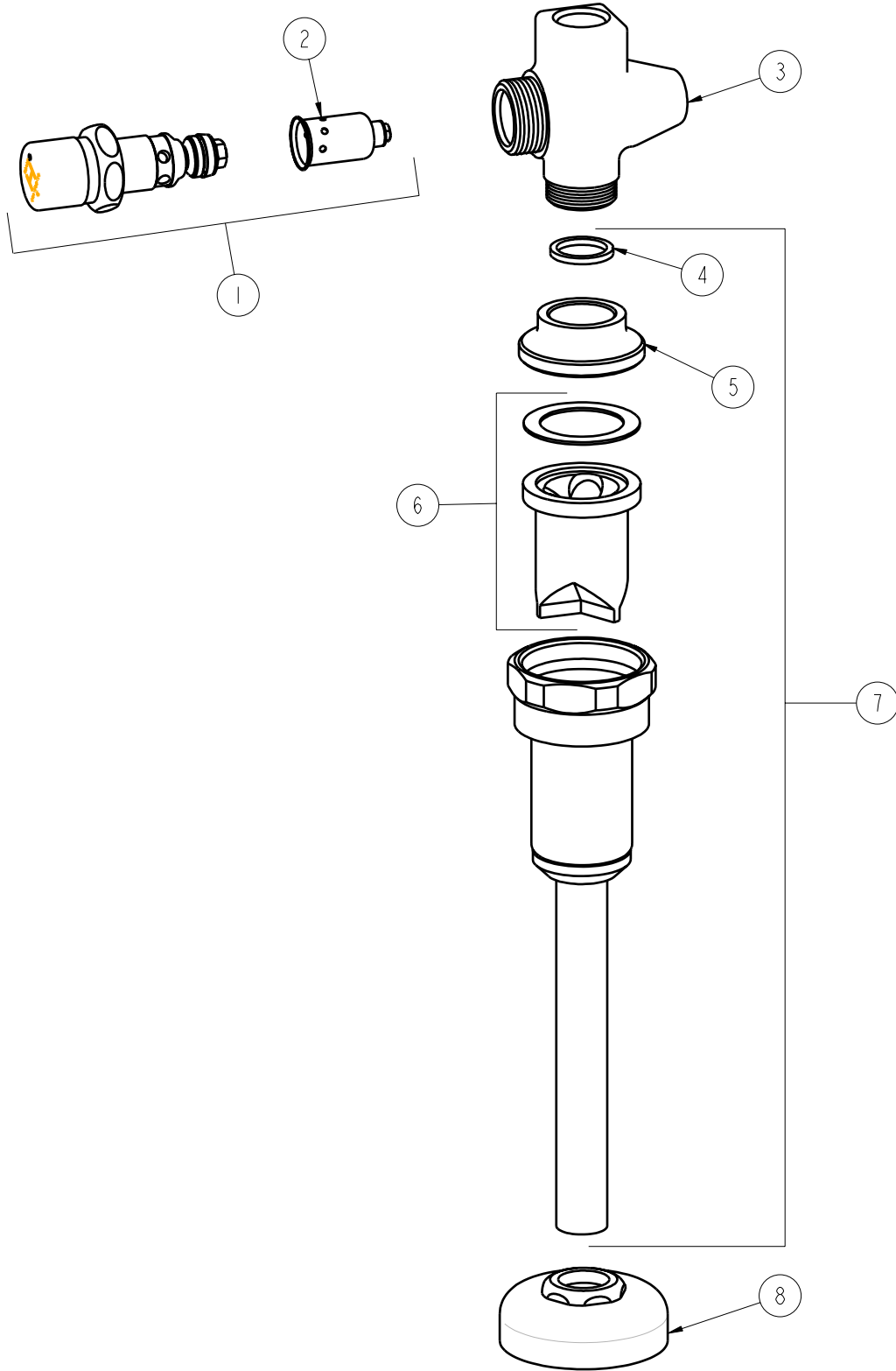
PARTS LIST

BY: SID
CHK'D: *[Signature]*



FINISH: AS SPECIFIED
DATE: 10-17-03
REV: 04-03-07

733-VB



ITEM NO.	PART NO.	DESCRIPTION	ITEM NO.	PART NO.	DESCRIPTION
1	333-XSLOPSH	FOR PARTS SEE 333XSLOPSH UNIT	6	734-105K	URINAL V.B. REPAIR KIT
2	333-073K	SLOW DASHPOT ASSEMBLY	7	734	URINAL VALVE VACUUM BREAKER
3	-----	VALVE BODY (NOT SOLD SEPARATELY)	8	142-PP	FLANGE ASSEMBLY PRE-PACK
4	734-005	GASKET			
5	734-001	ADAPTER			