

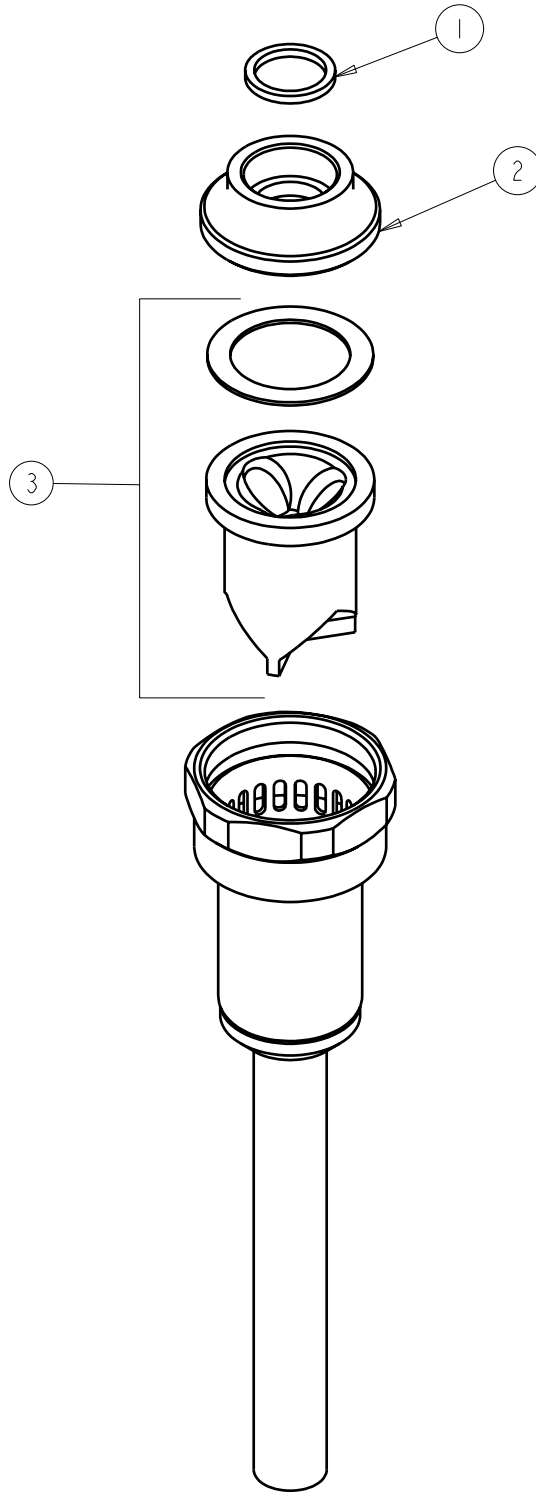
PARTS LIST

BY: SID
CHK'D: *[Signature]*



FINISH: AS SPECIFIED
DATE: 10-17-03
REV: 04-03-07

734



ITEM NO.	PART NO.	DESCRIPTION
1	734-005	GASKET
2	734-001	ADAPTER
3	734-105K	URINAL V.B. REPAIR KIT