

## EcoPower® Ultra High-Efficiency Urinal Flush Valve 0.125 gpf

### FEATURES

- 0.125 GPF
- Self-powered hydroelectric flush valve system
- No minimum daily usage requirement
- Durable chrome plated body with tamper-proof screws and solid bronze valve body
- Neutral rough-in and adjustable tail piece connection
- True mechanical flush override
- Smart sensor with self-adjusting detection range
- 6-second detection time to prevent ghost flushing
- ADA compliant

### MODELS

- TEU1UA12#CP
  - TEU1UA#CP (0.125 gpf flush valve)
  - VB9CP-12 (3/4" vacuum breaker tube, 3/4" angle stop)

### COLORS/FINISHES

- #CP Polished Chrome

### OPTIONAL ACCESSORIES

- Z-4000-J - Adapter for ground joint angle stops

### CODES/STANDARDS

- Meets or exceeds ASSE 1037, CSA B125.3
- Certifications: IAPMO(cUPC), EPA WaterSense, ASSE, State of Massachusetts, and others
- Code Compliance: UPC, IPC, NSPC, NPC Canada, and others
- Complies with CA Title 20 regulations and CalGreen when used with a 0.125 gpf wall mount urinal
- ADA compliant



**CALGreen**



### PRODUCT SPECIFICATION

TOTO® Model No. \_\_\_\_\_  
Product shall be 0.125 GPF. Product shall be an automatic infrared sensor-activated, urinal flush valve. Product shall use hydropower, EcoPower flush valve system. Product shall have durable chrome plated body with tamper-proof screws and solid bronze valve body. Product shall have neutral rough-in and adjustable tail piece connection. Product shall have smart sensor with self-adjusting detection range. Product shall have true mechanical flush override. Product shall have 6-second detection time to prevent ghost flushing. Product shall have solenoid with self-cleaning mechanism. Product shall be ADA compliant.

# TEU1UA

## EcoPower® Ultra High-Efficiency Urinal Flush Valve, 0.125 gpf

### SPECIFICATIONS

- Material: Bronze casting
- Power supply: EcoPower
- Sensor detection time: Factory setting at six (6) seconds minimum
- Sensor detection range: Self-adjusting to environment
- Discharge quantity: Preset to 0.125gpf/ 0.47 lpf
- Operating temperature: 32°-104°F (0°-40°C)
- Water supply pressure: 15 psi - 125 psi\*
- Water supply connection: 3/4" NPT
- Warranty: Three year limited

\*Water pressures over 80 psi are not recommended for most plumbing fixtures. Check your local plumbing code for details.

### INSTALLATION NOTES

For commercial applications only.

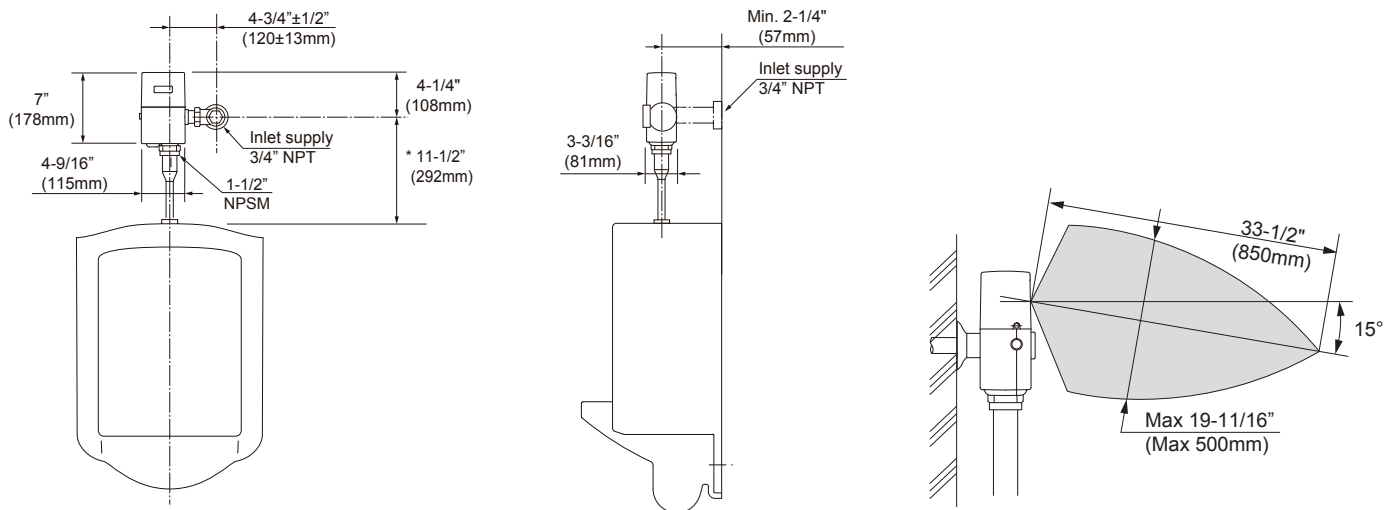
Warning: Failure to properly adjust angle stop to the appropriate level can potentially cause property damage.

For detailed installation instructions, please refer to the installation manual.

Max flow rate to be used with TEU1UA\_\_\_\_\_ : 0.125 gpf

Confirm with local codes and standards for floor drain requirement. Adjust control stop for proper flow rate to the fixture.

### DIAGRAM



\* Check local codes

**TOTO®**

These dimensions and specifications are subject to change without notice