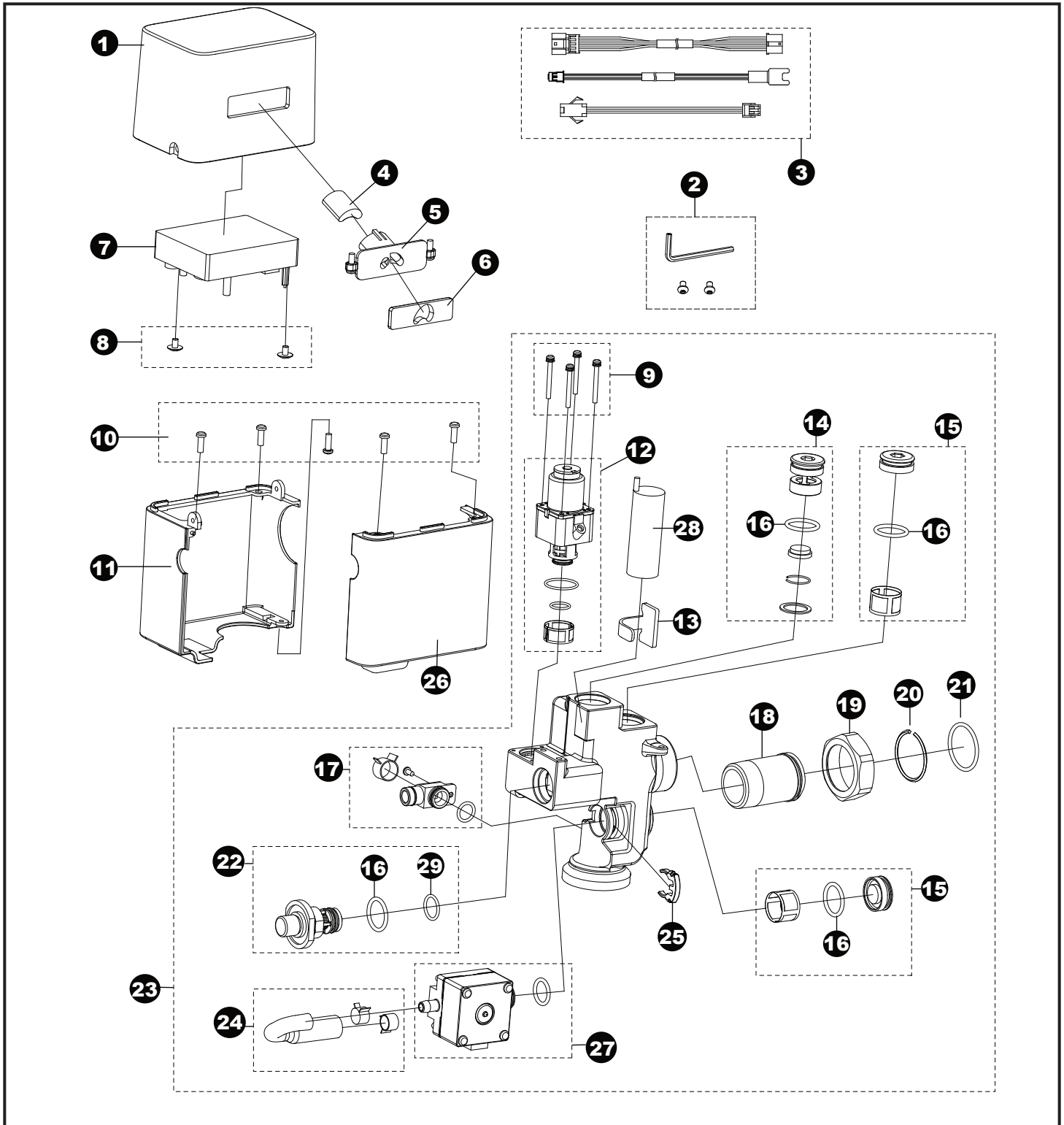


EcoPower® Flush Valve,
Urinal, Exposed, 0.125 Gpf



**EcoPower® Flush Valve,
Urinal, Exposed, 0.125 Gpf**

Item	Part	Description
1	THP3201#CP	Cover, top
2	THP3232	Screw w/wrench set, exposed
3	THP3209	Extension harness (3 type/bag)
4	THP3187	Sensor unit
5	THP3205	Bracket, sensor w/screw (15D)
6	THP3207	Glass, sensor window, exposed
7	THP3200	Controller unit
8	THP3208	Screw, controller mount (2/bag)
9	THP3192	Screw (4/bag)
10	THP3204	Screw, cover, valve (5/bag)
11	THP3203#CP	Cover, lower, B
12	THP3191	Solenoid unit & diaphragm assy
13	TH559EDV517	Clamp set (10/bag)
14	THP3195	Regulator unit
15	THP3007	Primary filter set
16	THP3013	O-ring, cap (10/bag)
17	THP3011	Hose adapter, EcoPower generator, pint
18	TH305SV114	Tailpiece
19	TH305SV113	Nut, tailpiece
20	TH305SV105	Locking ring set, tailpiece (10/bag)
21	TH305SV106	O-ring, tailpiece (10/bag)
22	TH559EDV506	Button, manual flush
23	THP3225	Valve assy, exposed, pint
24	THP3012	Hose set, EcoPower generator, pint
25	THP3194	Clip, retainer (1/bag)
26	THP3202#CP	Cover, lower, A
27	THP3193	EcoPower generator, pint
28	THP3053	Back-up battery
29	THP3242	O-ring (1/bag)

Vacuum Breaker Sets

VB9CP-12 Top Spud, 3/4" Outlet, Exposed

Note: for additional information, refer to the individual vacuum breaker parts sheets.