



McGuire Manufacturing Co., Inc.

60 Grandview Court
Cheshire, Connecticut 06410
(203) 699-1801 Fax (203) 699-1813
customerservice@mcguiremfg.com mcguiremfg.com

PRODUCT SPECIFICATION

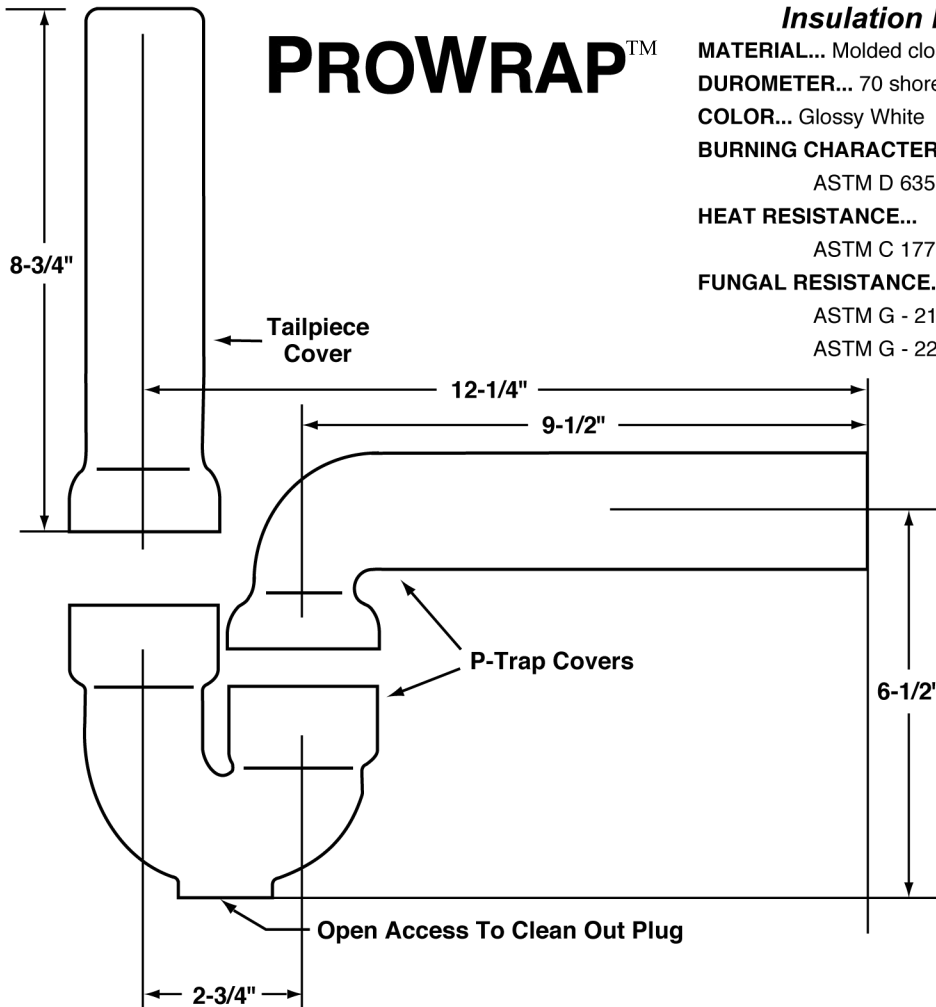
Part No.

PW2000, PW2000WC

Seamless Retrofit P-Trap Insulation Kit

Job Name:

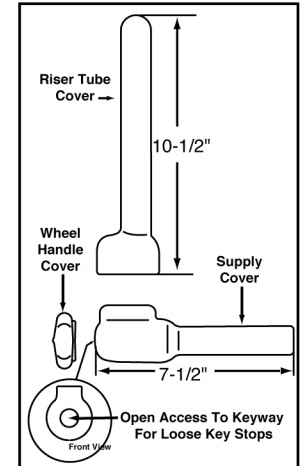
Submittal Number:



Insulation Material Specifications

- MATERIAL...** Molded closed cell vinyl (**ANTI-MICROBIAL**)
- DUROMETER...** 70 shore A
- COLOR...** Glossy White
- BURNING CHARACTERISTICS...**
 - ASTM D 635: Less than 5 sec (ATB) 10mm (AEB)
- HEAT RESISTANCE...**
 - ASTM C 177: BTU - in/hr - ft 2 - °F KValue = 1.02
- FUNGAL RESISTANCE...**
 - ASTM G - 21: (Rating*) 0 fungal growth measured
 - ASTM G - 22: (Rating*) 0 bacterial growth measured

Supply Covers (1 pair) Included With All P-Trap Kits



*ASTM Rating - Observed Growth on Specimens

- 0 None
- 1 Traces of Growth (less than 10%)
- 2 Light Growth (10-30%)
- 3 Medium Growth (30-60%)
- 4 Heavy Growth (60%-complete coverage)

Environmental Controls:

Paper - 4, Cork - 1, Cotton - 4, Glass - 0

MODEL NO.	DESCRIPTION
PW2000	For 1-1/4" & 1-1/2" P-Traps
PW2000WC	For 1-1/4" & 1-1/2" P-Traps with offset drain assembly

Note: PW2000 Retrofit Kit will accommodate 1-1/4" OR 1-1/2" brass P-traps.

See options and accessories section for details on product variations.

A.D.A.



Specifications:

Seamless Retrofit P-Trap Insulation Kit furnished with seamless riser tube covers, supply angle stop covers, seamless drain tailpiece cover and angle stop wheel handle covers.



WARNING:

This product can expose you to chemicals including lead, which is known to the State of California to cause cancer, and birth defects or other reproductive harm. For more information go to www.P65Warnings.ca.gov.