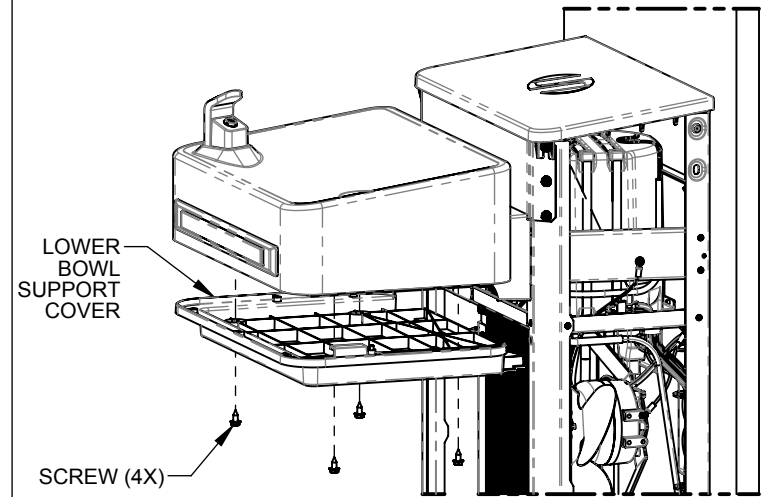
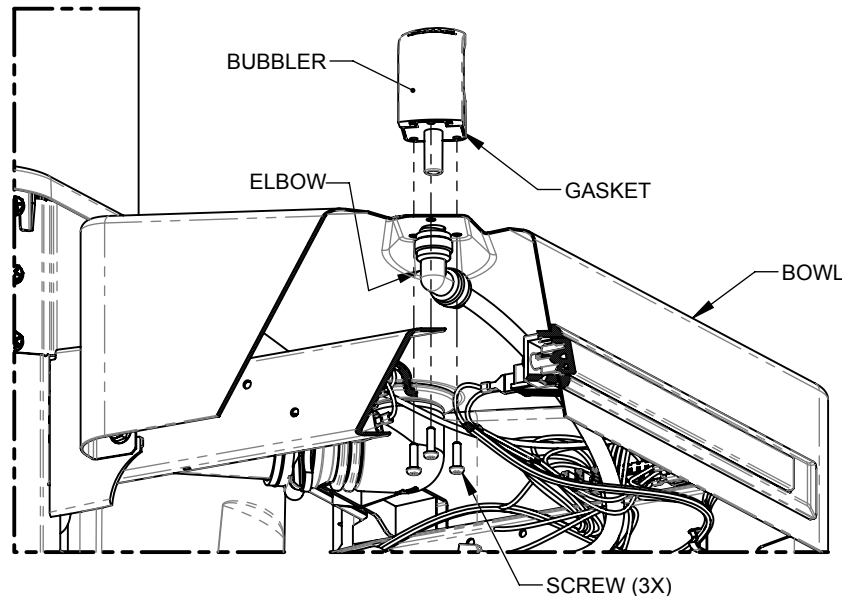


**REPLACEMENT INSTRUCTIONS:**

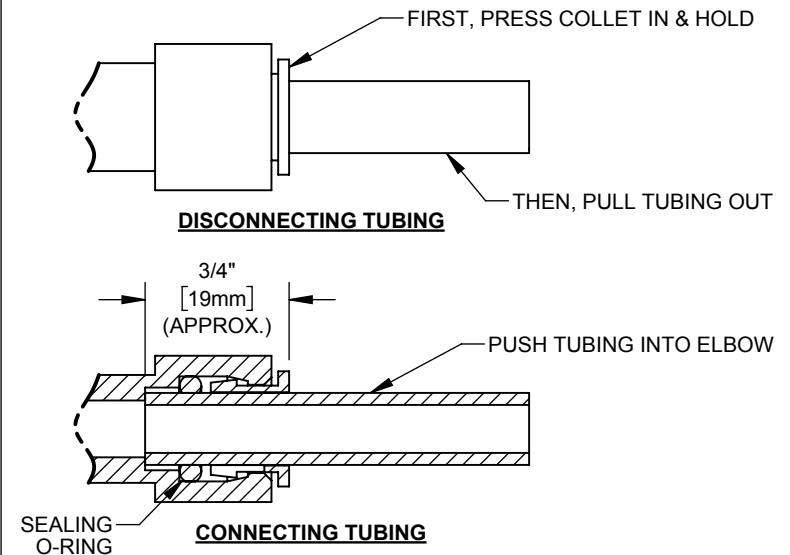
- REQUIRED TOOLS:** PHILLIPS SCREWDRIVER (OR 5/16 NUT DRIVER), 1/4" HEX BIT DRIVER
- SHUT OFF ELECTRICAL POWER TO OUTLET BEFORE SERVICING. REMOVE THE COOLER SKIRT. SHUT OFF THE WATER STOP VALVE. **NOTE:** SEE WATER COOLER O&M FOR FURTHER DETAILS.
- REMOVE THE LOWER BOWL SUPPORT COVER (SEE DIAGRAM TO RIGHT).
- REMOVE THE BUBBLER SCREWS FROM THE UNDERSIDE OF THE BOWL (TORX BIT IS SUPPLIED). **NOTE:** DISCONNECTING THE TUBING FROM THE ELBOW (SEE DIAGRAM BELOW) BENEATH THE BUBBLER MAY HELP TO ACCESS THE SCREWS.
- PRESS THE ELBOW BENEATH THE BUBBLER UP AGAINST THE BOWL TO DEPRESS THE QUICK CONNECT COLLET, THEN PULL THE BUBBLER UP AND OFF.
- MAKING SURE THAT THE BUBBLER GASKET IS IN PLACE, BOLT THE NEW BUBBLER INTO PLACE WITH SUPPLIED REPLACEMENT SCREWS. RECONNECT THE PLUMBING. THE BUBBLER STEM (AND TUBING, IF DISCONNECTED IN STEP 3) SHOULD ENGAGE INTO THE ELBOW ABOUT 3/4" [19mm].
- REASSEMBLE THE COOLER, REACTIVATING WATER BEFORE INSTALLING THE SKIRT.
- TURN ELECTRICAL POWER TO THE OUTLET BACK ON.
- RUN WATER THROUGH THE NEW BUBBLER AND CHECK THE COOLER FOR LEAKS.



**LOWER BOWL SUPPORT COVER REMOVAL**



**BUBBLER REMOVAL/INSTALLATION CUTAWAY**



**DISCONNECTING & RE-CONNECTING TUBING**



1455 KLEPPE LANE  
SPARKS, NEVADA 89431  
(775) 359-4712 FAX (775) 359-7424  
E-MAIL: HAWS@HAWS.CO.COM  
WEBSITE: WWW.HAWS.CO.COM

ECN: 5357	REV. ECN: 5357	BY: JL	MODEL(S): 5715/5716 - REPLACEMENT 12XX BUBBLER HEAD	PART NUMBER: 0510000863
DRAWN: JL	DATE: 09/06/19	CHKD: DHP		REVISION: 1
APPROVED: BM	DATE: 06/27/19	SCALE: 1:8	DRAWING TYPE: INSTALLATION	SIZE: A SHEET 1 OF 1