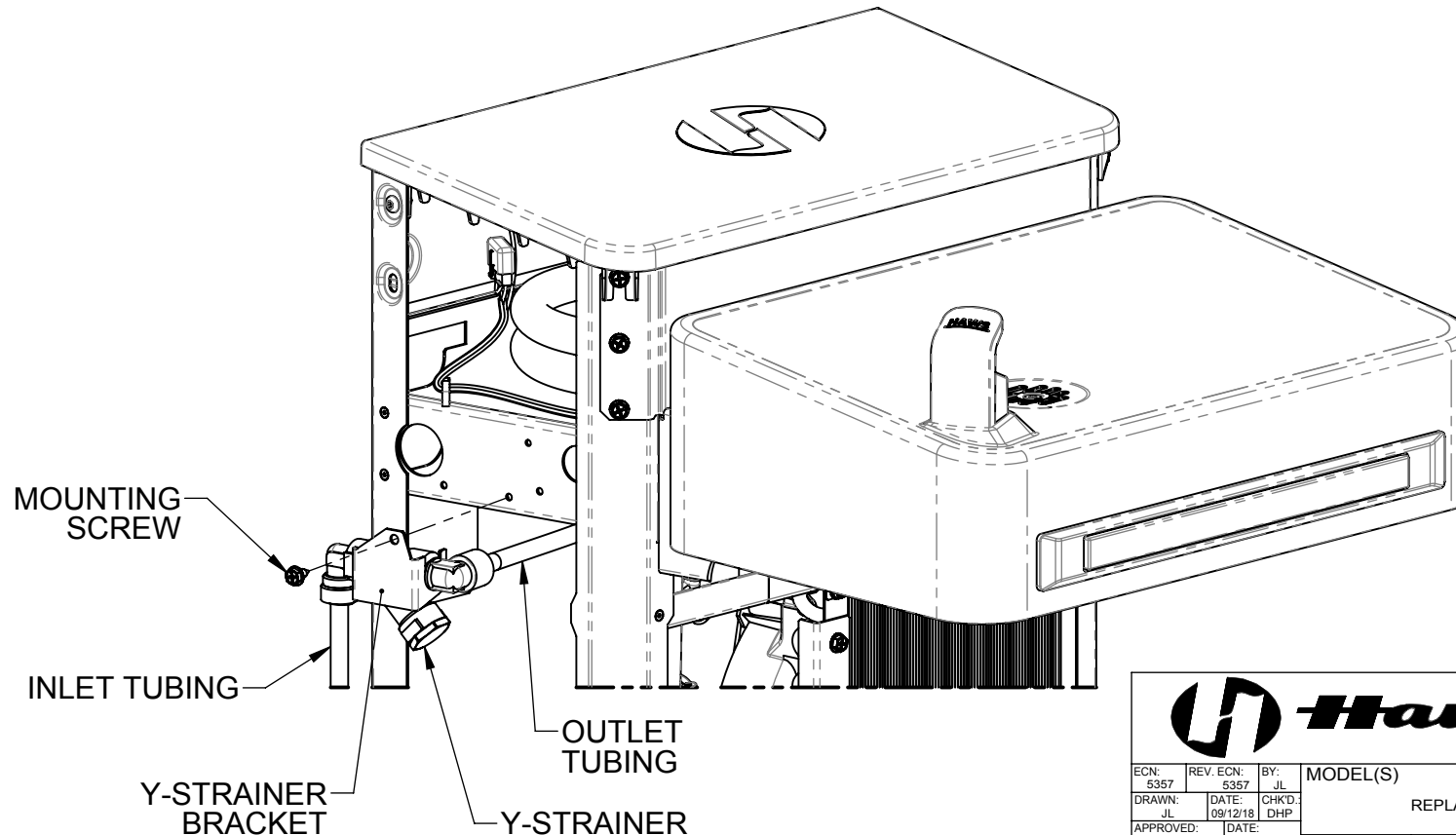
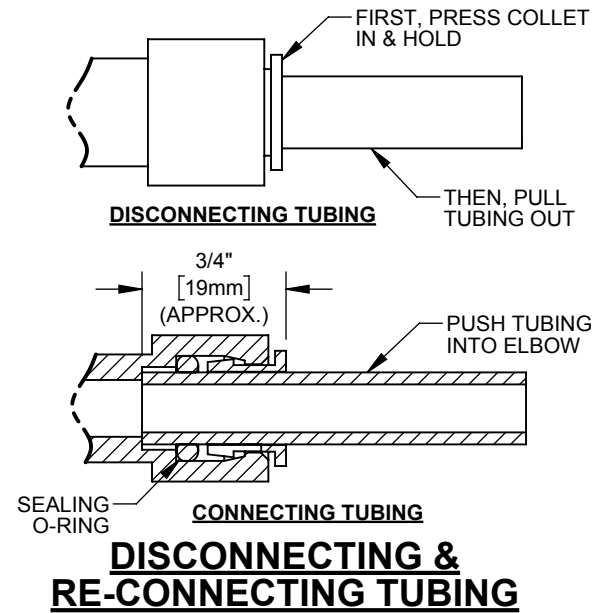


REPLACEMENT INSTRUCTIONS:

- REQUIRED TOOLS:** PHILLIPS SCREWDRIVER
- REMOVE THE COOLER SKIRT (THE LOWER COOLER SKIRT FOR HIGH/LOW MODELS) AND SHUT OFF THE WATER STOP VALVE.
NOTE: SEE WATER COOLER O&M FOR FURTHER DETAILS.
- CAUTION:** UNIT IS STILL POWERED ON AT THIS POINT. DISPENSE WATER BRIEFLY TO RELIEVE WATER PRESSURE. UNPLUG THE POWER CORD.
- THE Y-STRAINER IS LOCATED ON THE LEFT SIDE OF THE COOLER JUST BEHIND THE SKIRT (SEE DIAGRAM BELOW). REMOVE THE SINGLE SCREW HOLDING THE Y-STRAINER BRACKET TO THE WATER COOLER FRAME AND PULL THE Y-STRAINER OUT SO IT IS ACCESSIBLE.
- DISCONNECT THE INLET AND OUTLET TUBING (SEE DIAGRAM TO RIGHT) FROM THE Y-STRAINER.
- CONNECT THE TUBING TO THE NEW Y-STRAINER, MAKING NOTE OF THE FLOW DIRECTION ARROW.
- PLACE THE Y-STRAINER INTO ITS BRACKET AND RE-ATTACH IT TO THE WATER COOLER FRAME.
- OPEN THE WATER STOP VALVE AND CHECK FOR LEAKS. PLUG THE UNIT IN AND REPLACE THE SKIRT.



1455 KLEPPE LANE
SPARKS, NEVADA 89431
(775) 359-4712 FAX (775) 359-7424
E-MAIL: HAWS@HAWSO.COM
WEBSITE: WWW.HAWSO.COM

| | | | | |
|--------------|----------------|------------|-------------------------------------|---------------|
| ECN: 5357 | REV. ECN: 5357 | BY: JL | MODEL(S) | PART NUMBER |
| DRAWN: JL | DATE: 08/12/18 | CHKD: DHP | 6437 - REPLACEMENT 12XX STRAINER | 0510000865 |
| APPROVED: BM | DATE: 06/27/19 | SCALE: 1:8 | DRAWING TYPE: INSTALLATION | REVISION 1 |
| | | | SIZE: A | SHEET 1 OF 1 |