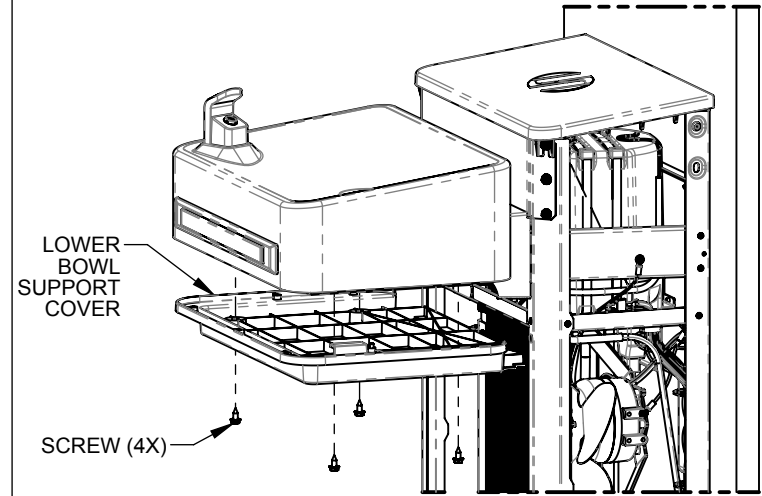
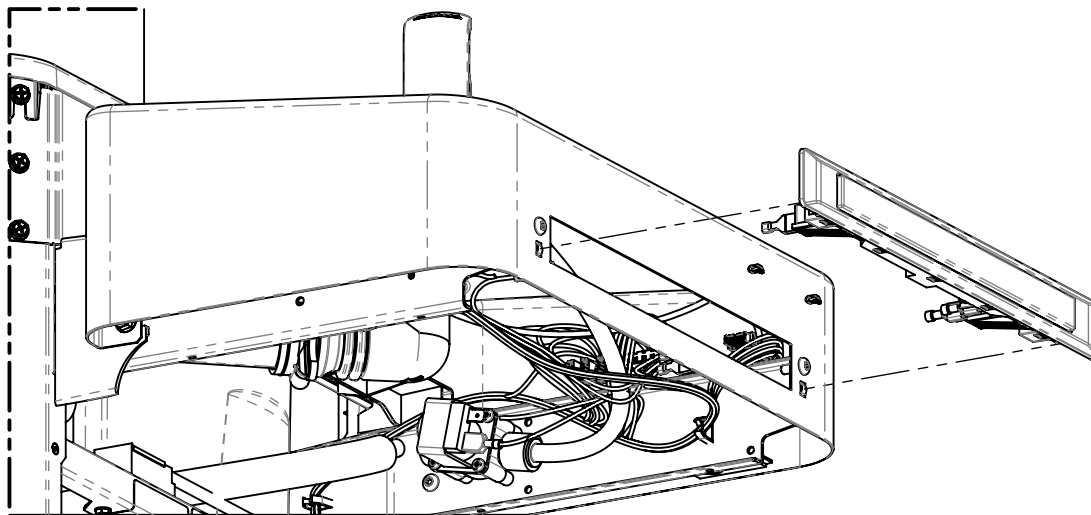


REPLACEMENT INSTRUCTIONS:

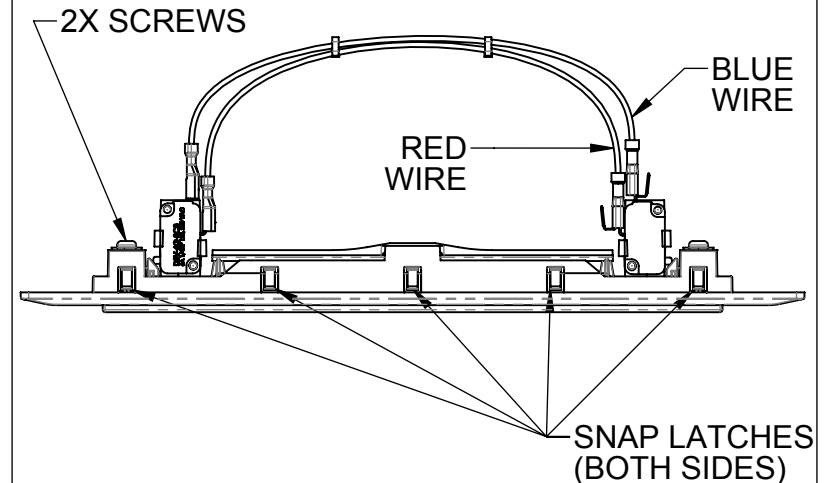
1. **REQUIRED TOOLS:** PHILLIPS SCREWDRIVER
2. SHUT OFF ELECTRICAL POWER TO OUTLET BEFORE SERVICING.
NOTE: SEE WATER COOLER O&M FOR FURTHER DETAILS.
3. REMOVE THE LOWER BOWL SUPPORT COVER (SEE DIAGRAM TO RIGHT).
4. A BLUE WIRE AND A RED WIRE RUN FROM THE BACK OF THE COOLER TO THE BUTTON ASSEMBLY. DISCONNECT THEM FROM THE PIGGYBACK TERMINALS ON THE RIGHT-HAND MICROSWITCH.
5. THE BUTTON ASSEMBLY IS HELD IN THE BOWL WITH A SERIES OF SNAP LATCHES. DISENGAGE THESE LATCHES WHILE WORKING THE ASSEMBLY OUT THE FRONT OF THE BOWL. REMOVING THE CENTER OF THE BUTTON BY REMOVING THE TWO SCREWS MAY MAKE THIS PROCESS EASIER.
6. BRING THE RED AND BLUE WIRES FROM THE UNIT OUT THROUGH THE FRONT OF THE BOWL, AND RE-CONNECT THEM TO THE RIGHT-HAND MICROSWITCH (BLUE WIRE TO BLUE WIRE; RED WIRE TO RED WIRE) ON THE NEW BUTTON. HOLD THE MICROSWITCH FIRMLY WHILE PERFORMING THIS ACTION TO AVOID DAMAGING THE PLASTIC BUTTON.
7. PRESS THE NEW BUTTON ASSEMBLY INTO ITS SLOT IN THE FRONT OF THE BOWL, ENSURING THAT ALL SNAP LATCHES PROPERLY ENGAGE.
8. REASSEMBLE THE COOLER, RECONNECT POWER, AND TEST.



LOWER BOWL SUPPORT COVER REMOVAL



BUTTON INSTALLATION



BUTTON ASSEMBLY (TOP VIEW)



1455 KLEPPE LANE
SPARKS, NEVADA 89431
(775) 359-4712 FAX (775) 359-7424
E-MAIL: HAWS@HAWSO.COM
WEBSITE: WWW.HAWSO.COM

ECN: 5357	REV. ECN: 5357	BY: JL	MODEL(S)	PART NUMBER
DRAWN: JL	DATE: 12/04/19	CHKD: DHP	PBA10 - BUTTON ASSEMBLY, 12XX WATER COOLER	0510000870
APPROVED: BM	DATE: 06/27/19	SCALE: 1:8	DRAWING TYPE: INSTALLATION	REVISION 1
			SIZE: A	SHEET 1 OF 1