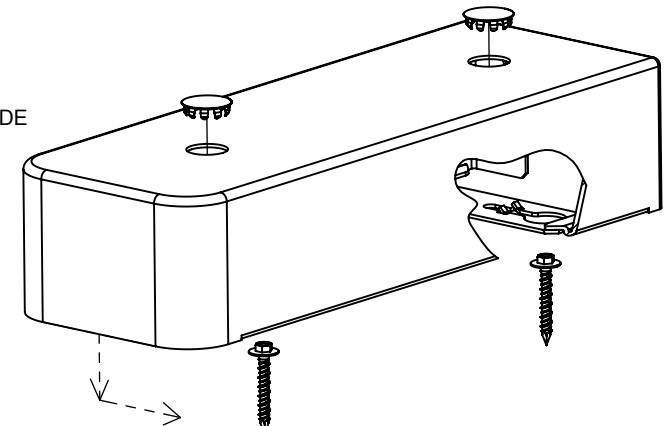
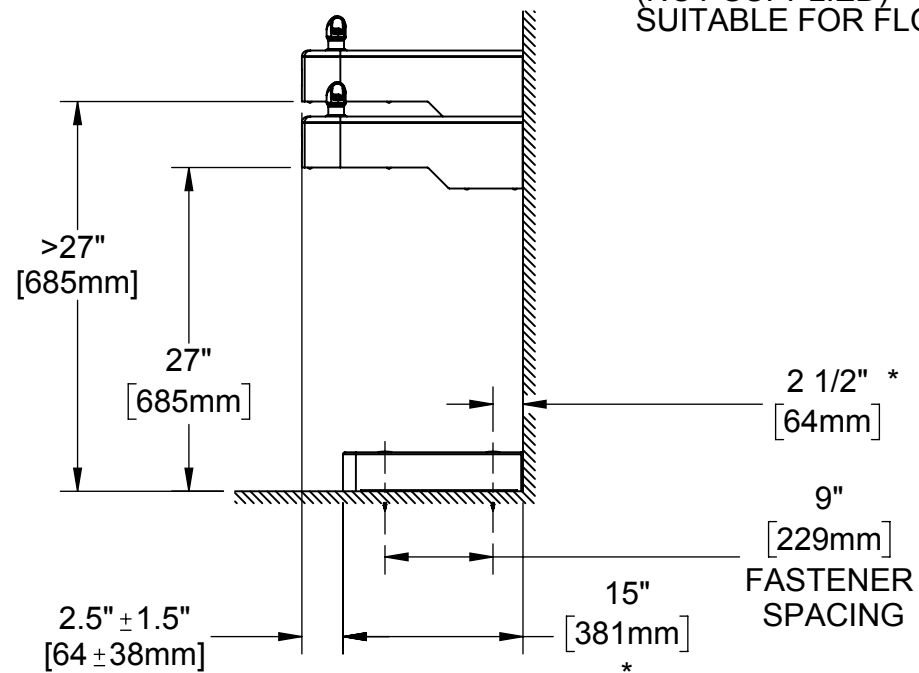
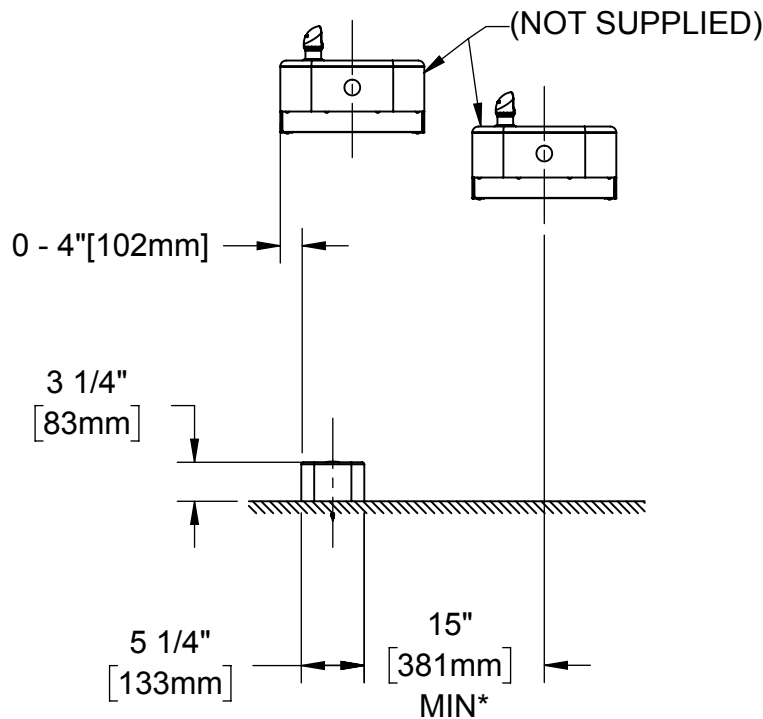


NOTES:

1. WHEN INSTALLING THIS UNIT, LOCAL, STATE, OR FEDERAL CODES SHOULD BE ADHERED TO. FOR SOME INSTALLATIONS, DIMENSIONS MARKED (*) MUST BE ADJUSTED ACCORDINGLY.
2. DRINKING FOUNTAINS SHOWN FOR REFERENCE ONLY. INSTALLATION CAN BE COMPLETED ON HI-LO FOUNTAINS OR WATER COOLERS WITH THE RIGHT SIDE IN THE HIGH CONFIGURATION. IN SUCH A CASE, THE DIMENSIONS SHOWN ON THIS DRAWING SHOULD BE TAKEN FROM THE RIGHT SIDE RATHER THAN THE LEFT SIDE FOUNTAIN/ WATER COOLER.
3. INSTALLATION SEQUENCE:
 - A. LOCATE THE UNIT AS REQUIRED BY THIS DRAWING IN ADDITION TO LOCAL, STATE, AND FEDERAL CODES.
 - B. USING A MARKER OR PENCIL, MARK THE FASTENER LOCATIONS ON THE FLOOR BY PLACING A DOT OR CIRCLE AT THE NARROW END OF THE SLOT IN THE MOUNTING BRACKETS BY REACHING THROUGH THE UPPER HOLES.
 - C. MOVE THE UNIT OUT OF THE WAY.
 - D. INSTALL 1/4" STRUCTURAL FASTENERS (NOT SUPPLIED) INTO THE FLOOR AT THE MARKED LOCATIONS. LEAVE AT LEAST 3/8" [10mm] OF GAP BETWEEN THE FASTENER HEADS AND THE FLOOR.
 - E. INSTALL THE UNIT OVER THE FASTENERS BY SLIPPING THE LARGE END OF THE SLOTS OVER THE FASTENER HEADS, THEN SLIDING THE UNIT SO THAT THE FASTENERS ENGAGE THE NARROW END OF THE SLOTS.
 - F. TIGHTEN DOWN THE SCREWS OR FASTENERS.
 - G. INSTALL THE SNAP-IN HOLE BUSHINGS.



2X 1/4" STRUCTURAL FASTENERS (NOT SUPPLIED) SUITABLE FOR FLOOR TYPE.



		1455 KLEPPE LANE SPARKS, NEVADA 89431 (775) 359-4712 FAX (775) 359-7424 E-MAIL: HAWS@HAWSO.COM WEBSITE: WWW.HAWSO.COM	
		ECN: 5392 DRAWN: DHP APPROVED: JL	REV. ECN: 5392 DATE: 01/04/19 DATE: 01/07/19
PART NUMBER 0580000872			REVISION 1
SCALE: 1:8 DRAWING TYPE: INSTALLATION SIZE: A		SHEET 1 OF 1	