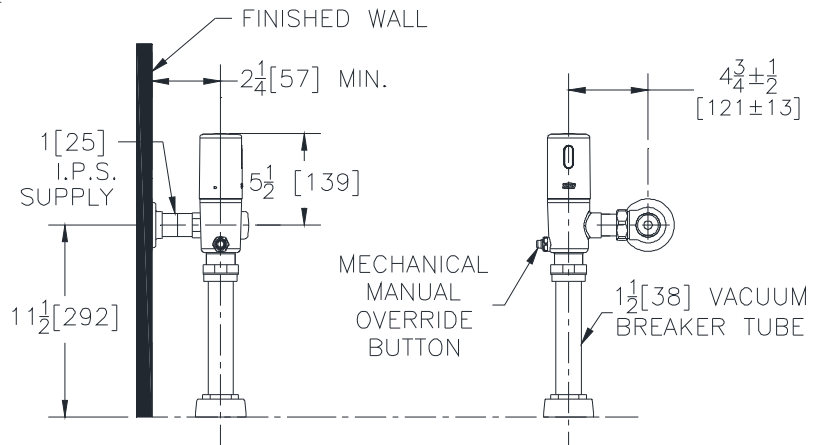


ZTR6200-WS1-LL

1.6 GPF Sensor Operated Water Closet Flush Valve



Accessories

- YJ Split Ring Pipe Support
- YK Solid Ring Pipe Support
- YO Bumper on Angle Stop
- _____ Other

NOTE: Performance guaranteed with Zurn EcoVantage® fixtures. Please consult Zurn Technical Services at 1-800-997-3876 to discuss the paired performance of this valve with other manufacturers fixtures.

Architectural/Engineering Approval

The information contained in this document is subject to change without notice.
Please contact Zurn for most up to date information.

ZURN INDUSTRIES, LLC. ♦ COMMERCIAL BRASS OPERATION
5900 ELWIN BUCHANAN DRIVE ♦ SANFORD NC 27330
PHONE: 1-800-997-3876 ♦ FAX: 919-775-3541
WWW.ZURN.COM

IN CANADA: ZURN INDUSTRIES LIMITED
7900 GOREWAY DRIVE UNIT 10 ♦ BRAMPTON, ONTARIO L6T5W6
PHONE: 905-405-8272 FAX: 905-405-1292

AquaSense® is a registered trademark of Zurn Industries, LLC.

ENGINEERING SPECIFICATIONS

Exposed chrome plated flushometer valve with a polished robust metal cap exterior.

- Filtered Piston Kit
 - Chloramine resistant
- Proprietary DR resistant low lead brass alloy
- Actuator
 - Sensor powered by 4 "AA" Long Life batteries
 - 10 year battery life
- Mechanical Manual Override Button
- Control Stop
 - Internal siphon-guard protection
 - Vandal resistant stop cap
 - Sweat solder kit
 - Cast wall flange with set screw
- Vacuum Breaker
 - High back pressure
 - One piece hex coupling nut
- Internal seals
 - Chloramine resistant
- Adjustable tailpiece
- Spud coupling and flange for top spud connection