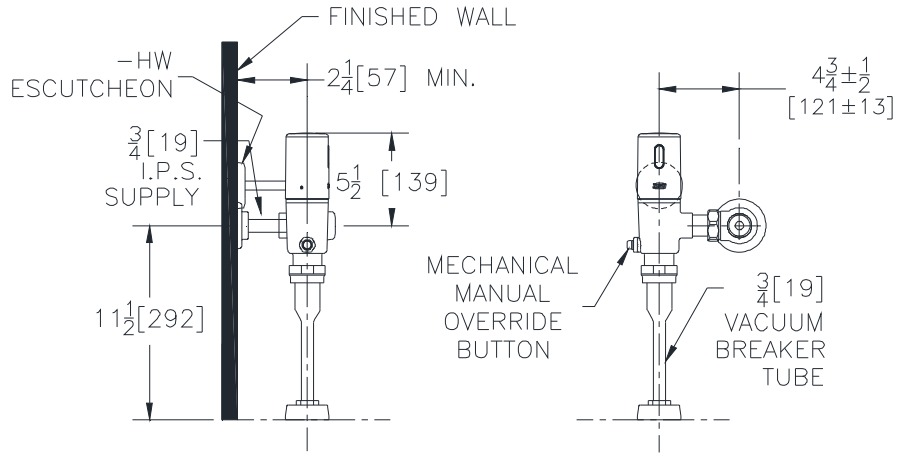




# ZTR6203-ULF-HW

0.125 gpf Sensor Operated Urinal Flush Valve



## Suffix Options (Check/Specify Appropriate Options)

- YJ Split Ring Pipe Support
- YK Solid Ring Pipe Support
- YO Bumper on Angle Stop
- \_\_\_\_\_ Other

## Accessories (Order separate as specified)

Compatible with -HW Version:

**P6900-ACA-BA** 7.6VDC Plug-In ACA Power Supply

Powers up to 4 valves

**P6000-HW6** 7.6VDC Hardwired Power Converter

Powers up to 8 valves

Others:

**P6800-PJB-4** Power Junction Box (4 outputs)

**P6800-PJB-8** Power Junction Box (8 outputs)

**P6800-EXT** 10' Extension Cable with Connectors

**NOTE: Performance guaranteed with Zurn EcoVantage® fixtures. Please consult Zurn Technical Services at 1-800-997-3876 to discuss the paired performance of this valve with other manufacturers fixtures.**

Architectural/Engineering Approval

The information contained in this document is subject to change without notice.

ZURN INDUSTRIES, LLC. ♦ COMMERCIAL BRASS OPERATION

5900 ELWIN BUCHANAN DRIVE ♦ SANFORD NC 27330

PHONE: 1-800-997-3876 ♦ FAX: 919-775-3541

WWW.ZURN.COM

IN CANADA: ZURN INDUSTRIES LIMITED

7900 GOREWAY DRIVE UNIT 10 ♦ BRAMPTON, ONTARIO L6T5W6

PHONE: 905-405-8272 FAX: 905-405-1292

AquaSense® is a registered trademark of Zurn Industries, LLC.

## ENGINEERING SPECIFICATIONS

Exposed chrome plated flushometer valve with a polished robust metal cap exterior.

- Hardwired using 7.6VDC Power Supply
- Filtered Piston Kit
  - Chloramine resistant
- Proprietary DR resistant low lead brass alloy
- Actuator
  - Sensor powered
- Mechanical Manual Override Button
- Includes 10' power supply cable
- Control Stop
  - Internal siphon-guard protection
  - Vandal resistant stop cap
  - Sweat solder kit
  - Cast wall flange with set screw
- Vacuum Breaker
  - High back pressure
  - One piece hex coupling nut
- Internal seals
  - Chloramine resistant
- Adjustable tailpiece
- Spud coupling and flange for top spud connection



\* This product should be used with a WaterSense labeled counterpart with a compatible flush volume to ensure that the entire system meets the requirements for water efficiency and performance.