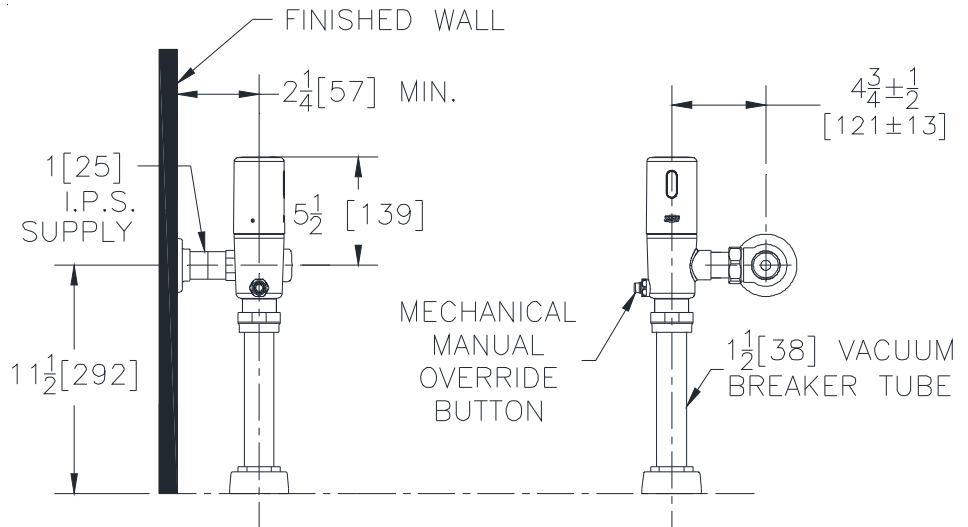


# ZTR6200EV-LL

1.28 GPF Sensor Operated Water Closet Flush Valve



## Accessories

- YJ Split Ring Pipe Support
- YK Solid Ring Pipe Support
- YO Bumper on Angle Stop
- \_\_\_\_\_ Other

**NOTE: Performance guaranteed with Zurn EcoVantage® fixtures. Please consult Zurn Technical Services at 1-800-997-3876 to discuss the paired performance of this valve with other manufacturers fixtures.**



\*This product should be used with a WaterSense labeled counterpart with a compatible flush volume to ensure that the entire system meets the requirements for water efficiency and performance.

Architectural/Engineering Approval

The information contained in this document is subject to change without notice.

ZURN INDUSTRIES, LLC. ♦ COMMERCIAL BRASS OPERATION  
5900 ELWIN BUCHANAN DRIVE ♦ SANFORD NC 27330  
PHONE: 1-800-997-3876 ♦ FAX: 919-775-3541  
WWW.ZURN.COM  
IN CANADA: ZURN INDUSTRIES LIMITED  
7900 GOREWAY DRIVE UNIT 10 ♦ BRAMPTON, ONTARIO L6T5W6  
PHONE: 905-405-8272 FAX: 905-405-1292

EcoVantage® is a registered trademark of Zurn Industries, LLC.

## ENGINEERING SPECIFICATIONS

Exposed chrome plated flushometer valve with a polished robust metal cap design.

- Filtered Piston Kit
  - Chloramine resistant
- Proprietary DR resistant low lead brass alloy
- Actuator
  - Sensor powered by 4 "AA" Long Life batteries
  - 10 year battery life
- Mechanical Manual Override Button
- Control Stop
  - Internal siphon-guard protection
  - Vandal resistant stop cap
  - Sweat solder kit
  - Cast wall flange with set screw
- Vacuum Breaker
  - High back pressure
  - One piece hex coupling nut
- Internal seals
  - Chloramine resistant
- Adjustable tailpiece
- Spud coupling and flange for top spud connection