

## Dual Handle Bar Faucet Models LKD24898 and LKD24898BH

### FEATURES

#### Model LKD24898

- Two hole top mount installation
  - Two 1-1/2" (38mm) diameter faucet holes required
  - Maximum countertop thickness 1-1/8" (29mm)
- Dual handle faucet with stainless steel eschutcheon
- Chrome plated lever handles
- Tubular 360° swing spout with aerator
- 90° turn of the handle controls water from the drip-free off to full on.
- Requires 1/2" (13mm) I.P. connections on 4" (203mm) centers
- Removable ceramic disc cartridge
- Ship Wt. 2.75 lbs. (1Kg)
- Maximum flow rate
  - 2.5 GPM/9.5 L/min at 80 P.S.I.G.
  - 2.2 GPM/8.3 L/min at 60 P.S.I.G.

#### Model LKD24898BH

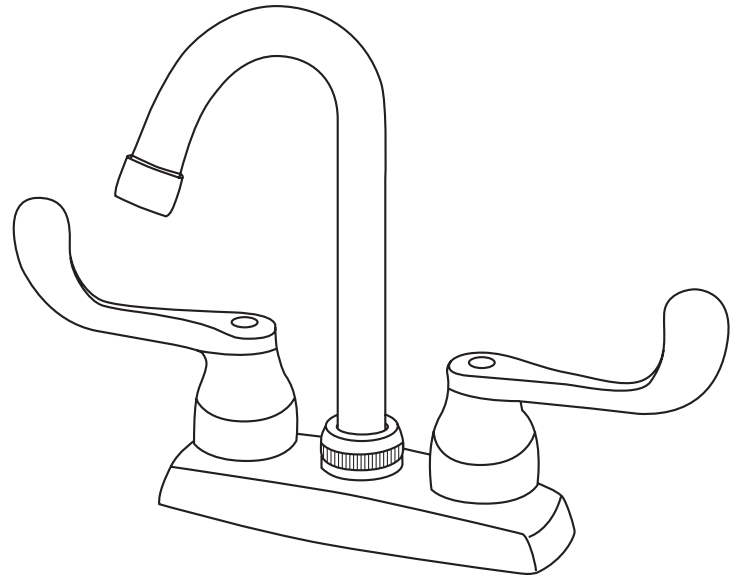
- Same as LKD24898 except with 4" (102mm) blade handles
- Ship Wt. 3.75lbs. (2Kg)

### WARRANTY

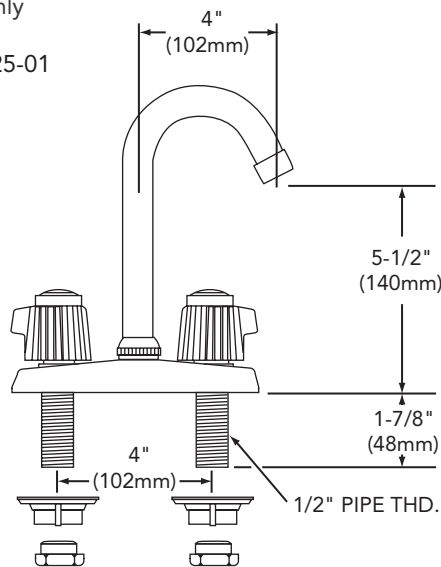
- Limited Lifetime

### COMPLIES WITH:

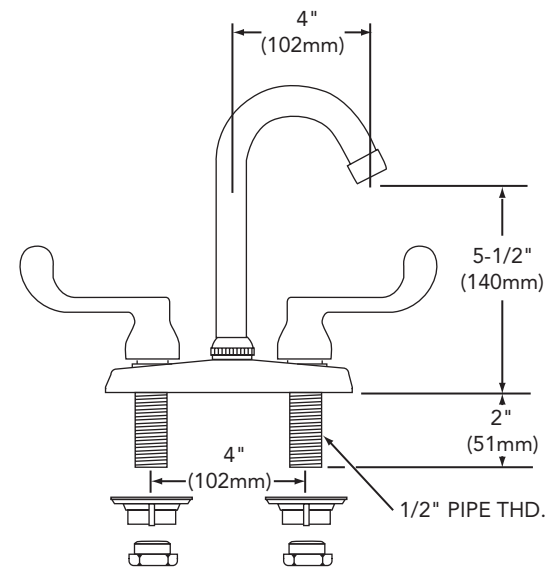
- ADA
  - LKD24898BH model only
- ANSI/NSF61 - Certified
- ASME 112.18.1/CSA B125-01
- CA AB1953/VT S152



Model LKD24898BH



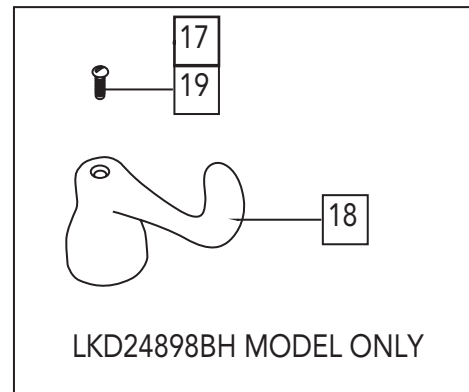
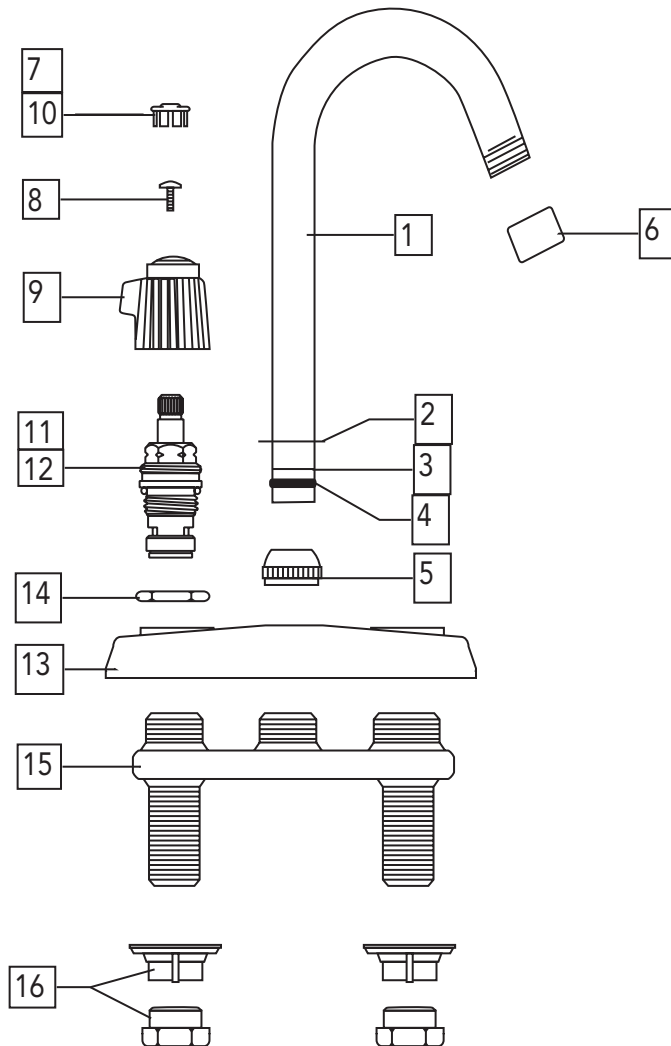
LKD24898 Illustrated



LKD24898BH Illustrated

SEE OTHER SIDE FOR REPLACEMENT PARTS

### Dual Handle Bar Faucet Models LKD24898 and LKD24898BH



ITEM	IND. PART	KIT. PART	DESCRIPTION
1	N/A	A52352R	SPOUT ASSEMBLY
2	N/A		
3	N/A		
4	N/A		
5	N/A		
6	P05103		
7	P35196	A52056R	RH CR HANDLE ASSEMBLY
8	P36133		
9	P01263		
8	P36133	A52025R	LH CR HANDLE ASSEMBLY
9	P01263		
10	P35197		
11	P29121NL	N/A	RH CARTRIDGE
12	P29122NL	N/A	LH CARTRIDGE
13	P02105	N/A	ESCUTCHEON
14	P02163	N/A	ESCUTCHEON, HANDLE
15	P47029	N/A	FAUCET BODY
16	P35104	N/A	MOUNTING HARDWARE
17	P36115	A55180R	RH BH HANDLE ASSEMBLY
18	P01241		
18	P01241	A55179R	LH BH HANDLE ASSEMBLY
19	P36114		

\*Parts ending in NL effective 10/1/2009. Prior to 10/1/2009 order part less NL suffix.