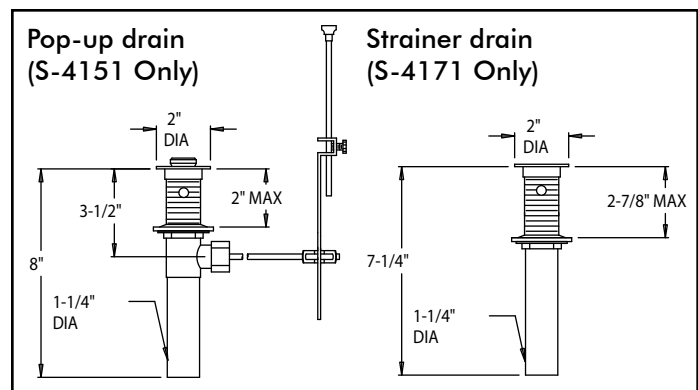
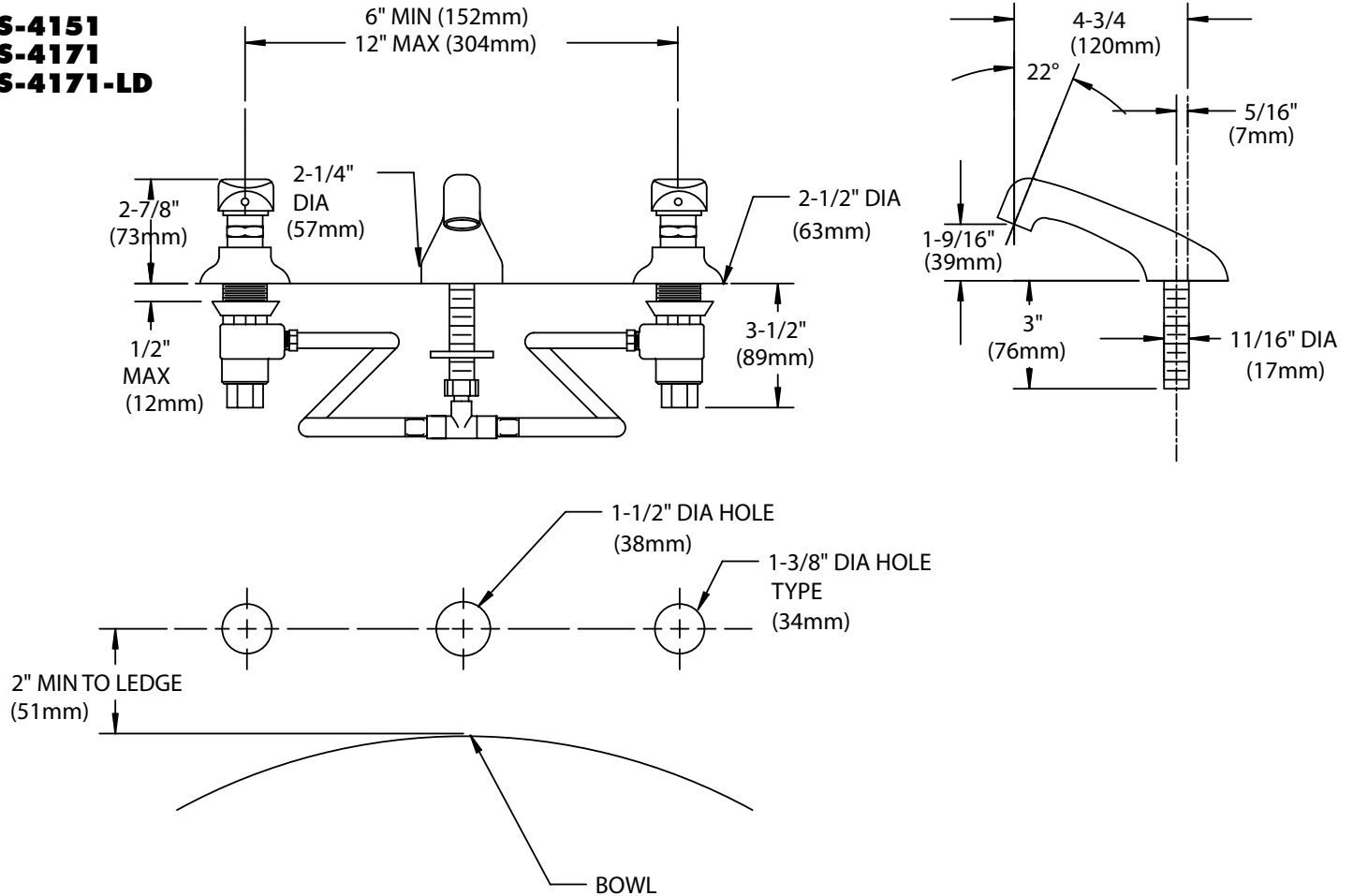




## ROUGH-INS

**S-4151**  
**S-4171**  
**S-4171-LD**



NOTE: All dimensions are in inches (millimeters) unless otherwise specified and are subject to change without notice. Inlets are sized for either coupling or sweat connections. Unless otherwise specified, all inlets are 1/2" NPSM.