



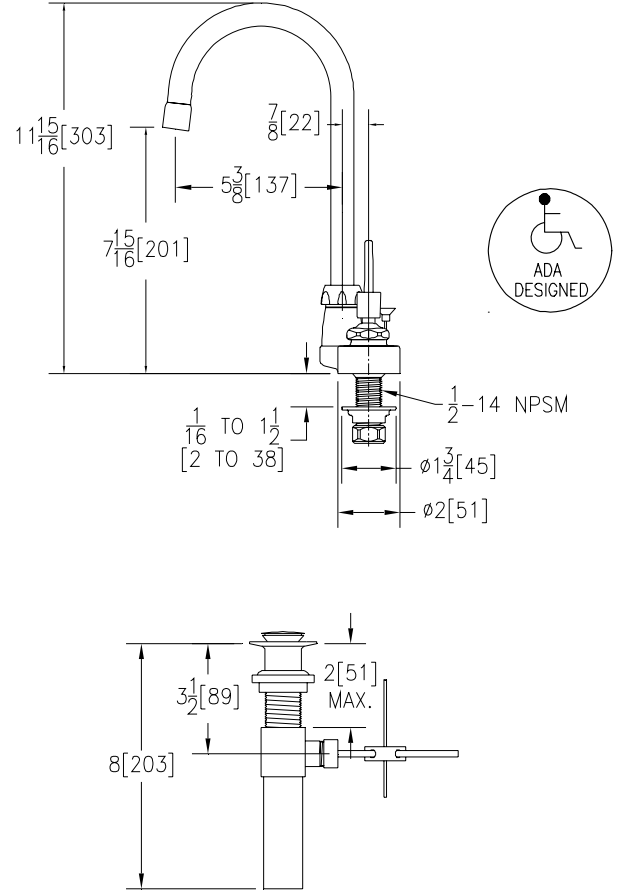
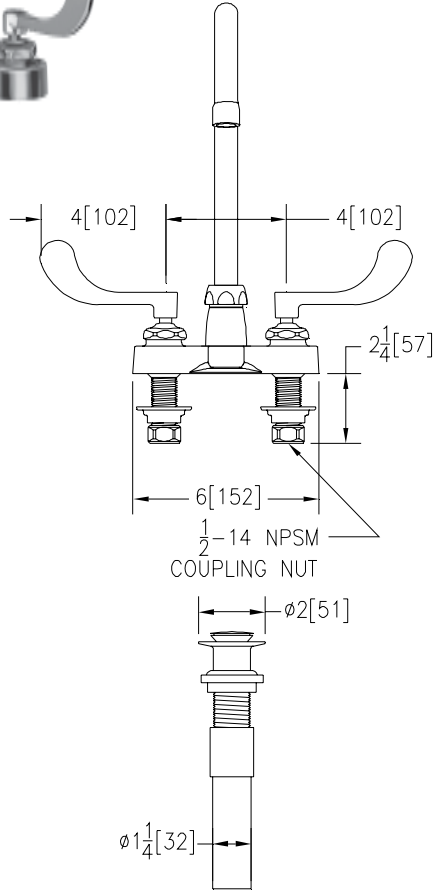
# 4" CENTERSET GOOSENECK Z812B4-P

TAG \_\_\_\_\_



### Engineering Specifications: Zurn AquaSpec® Z812B4-P

Polished chrome-plated cast brass faucet body with integral shanks, quarter turn ceramic disc cartridges and a 5-3/8" [137mm] centerline rigid or swing gooseneck spout. Unit is furnished with a 2.2 GPM [8.3 L] pressure compensating aerator (complying with ANSI A112.18.1 Standard for flow), 4" [102mm] vandal-resistant color-coded metal wrist blade handles, mounting hardware, 1/2" NPSM coupling nuts for standard lavatory risers and a 1-1/4" [32mm] pop-up drain.



Note: All dimensions are for reference only. Do not use for pre-plumbing

### OPTIONAL ACCESSORIES

| Suffix  | Description   |
|---------|---|
| ___-FC  | 2.0 GPM [7.6 L] Laminar Flow Control in Base of Spout                         |
| ___-HCT | Hot/Cold Text Indexes   |
| ___-PT  | 1-1/4" [32mm] Cast Brass P-Trap with a 7-1/2" [191mm] Long 17-Gauge Wall Bend |
| ___-2F  | 2.2 GPM [8.3 L] Vandal-Resistant Pressure Compensating Female Aerator         |
| ___-3F  | 0.5 GPM [1.9 L] Vandal-Resistant Pressure Compensating Female Aerator         |
| ___-4F  | 2.2 GPM [8.3 L] Vandal-Resistant Pressure Compensating Female Laminar Flow    |
| ___-5F  | 2.0 GPM [7.6L] Female Spray Outlet  |
| ___-7F  | 1.0 GPM [3.8 L] Pressure Compensating Female Spray Outlet                     |
| ___-16F | 1.0 GPM [3.8 L] Vandal Resistant Pressure Compensating Female Spray Outlet    |
| ___-17F | 1.5 GPM [5.7 L] Vandal Resistant Pressure Compensating Female Aerator         |
| ___-18F | 1.5 GPM [5.7 L] Vandal Resistant Pressure Compensating Female Laminar Flow    |

ZURN INDUSTRIES, INC. ♦ COMMERCIAL BRASS OPERATION ♦ 2640 SOUTH WORK STREET ♦ FALCONER NY 14733

Phone: 1-716-665-1132 ♦ Fax: 1-716-665-1135 ♦ World Wide Web: [www.zurn.com](http://www.zurn.com)

In Canada: ZURN INDUSTRIES LIMITED ♦ 3544 Nashua Drive ♦ Mississauga, Ontario L4V1L2 ♦ Phone: 905/405-8272 Fax: 905/405-1292