

# Royal® Model Flushometer

# 100



## ► Description

Exposed Water Closet Flushometer with stop directly behind valve, for top spud bowls.

## ► Flush Cycle

- Model 100 Water Saver (3.5 gpf/13.2 Lpf)
- Model 100-1.6 Low Consumption (1.6 gpf/6.0 Lpf)

## ► Specifications

Quiet, Exposed, Diaphragm Type, Chrome Plated Closet Flushometer with the following features:

- PERMEX™ Synthetic Rubber Diaphragm with Dual Filtered Fixed Bypass
- ADA Compliant Metal Oscillating Non-Hold-Open Handle with Triple Seal Handle Packing
- 1" I.P.S. Screwdriver Bak-Chek™ Straight Stop
- Free Spinning Vandal Resistant Stop Cap
- Ground Joint Tailpiece
- High Back Pressure Vacuum Breaker Flush Connection with One-piece Bottom Hex Coupling Nut
- Spud Coupling and Flange for 1½" Top Spud
- Sweat Solder Adapter and Cast Set Screw Wall Flange
- High Copper, Low Zinc Brass Castings for Dezincification Resistance
- Non-Hold-Open Handle, Fixed Metering Bypass and No External Volume Adjustment to Ensure Water Conservation
- Flush Accuracy Controlled by CID™ Technology
- Diaphragm, Handle Packing, Stop Seat and Vacuum Breaker to be molded from PERMEX™ Rubber Compound for Chloramine Resistance

Valve Body, Cover, Tailpiece and Control Stop shall be in conformance with ASTM Alloy Classification for Semi-Red Brass. Valve shall be in compliance to the applicable sections of ASSE 1037.

## ► Variations

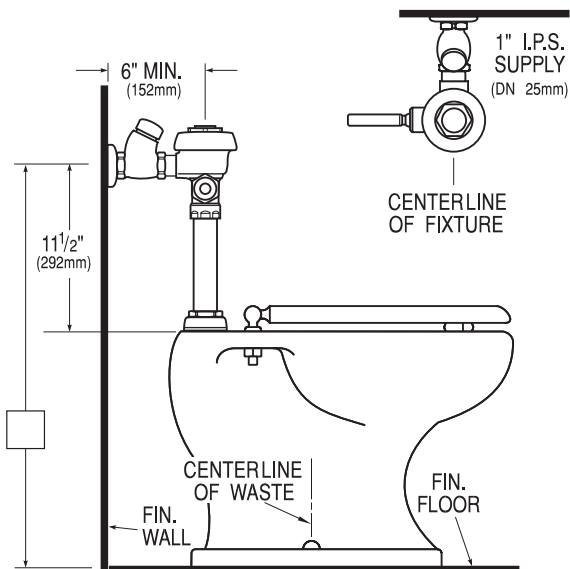
- I** Handle on the right
- HL-3** 3" Metal Oscillating Push Button on front of Valve (does not meet ADA requirements)
- TP** Trap Primer

## ► Accessories

See Accessories Section of the Sloan catalog for details on these and other Flushometer variations.

## ► Fixtures

Consult Sloan for Sloan brand matching fixture options.



Made In The  
**USA**

This space for Architect/Engineer approval

The information contained in this document is subject to change without notice.

## SLOAN®

SLOAN VALVE COMPANY • 10500 SEYMOUR AVE. • FRANKLIN PARK, IL. 60131  
Ph: 1-800-9-VALVE-9 or 1-847-671-4300 • Fax: 1-800-447-8329 or 1-847-671-4380  
<http://www.sloanvalve.com>