



MODEL OVL-II™ EBP FR

With Back Panel



This fountain is certified to NSF/ANSI 61.

GENERAL

Oval shape fountain, one-piece, non-corrosive stainless steel with brushed satin finish. Contour-formed basin with rounded corners and edges reduces splatter, insures proper drainage and prevents standing waste water. Oval fountain shape requires less neck extension and bending for the wheel chair user. Designed to be easily accessible to both physically challenged and able-bodied individuals. Ideally suited for installation in public areas. Model meets state and federal requirements as defined by the Americans with Disabilities Act.

FREEZE-RESISTANT VALVE SYSTEM

Freeze-resistant system features box that installs behind non-freezing wall for housing water connection from the stop to the strainer.

BUBBLER

Exclusive one-piece, chrome-plated two-stream mound-building bubbler with non-removable anti-squirt feature and integral hood insures a satisfying drink of water.

PUSHBUTTON ACTUATION MECHANISM

Self-closing, vandal-resistant pushbutton does not require grasping or twisting.

PANEL

Constructed of stainless steel, number 300 series with satin finish.

AUTOMATIC STREAM HEIGHT REGULATOR

Self-closing assembly is located inside unit to prevent tampering. Unit resists corrosion and liming. A constant stream height is automatically maintained under line pressures that vary from 20 to 105 psi.

INLET STRAINER

Easily cleaned in-line strainer screen traps particles of 140 microns or larger before they enter the waterway.

WATER INLET

3/8" O.D. Tubing into freeze-resistant box.

DRAIN OUTLET

1-1/4" waste outlet located in freeze-resistant valve system.

SUGGESTED SPECIFICATIONS

Fountain shall include pushbutton on the front. Shall include contour-formed basin to eliminate splashing and standing water, and shall have rounded corners and edges. Projector shall be two-stream, mound-building type with integral hood guard and anti-squirt feature. Fountain shall comply with ANSI 117:1 and ADA for visual and motion disabilities. The manufacturer shall certify the unit to meet the requirements of NSF/ANSI 61 and the Safe Drinking Water Act.

Note: Continued product improvement makes specifications subject to change without notice. See Halsey Taylor website for most current spec sheet.



Standard Finish is Stainless Steel

Optional Accessories (extra cost)

Vandal-Resistant Kit

Each OVL-II™ EBPFR consists of 2 cartons of the following:

Fountain, Panel and Misc. Parts
Freeze-Resistant Valve System

Service stop not included.

Shipping weight: 50 lbs.

JOB NAME: _____

 ENGINEER/CONTRACTOR NAME:

 APPROVAL: _____
 DATE: _____



OVL-II™ EBP FR

Freeze-Resistant OVL-II™ Barrier-Free Fountain With Back Panel

(CONTINUED)

MOUNTING INSTRUCTIONS

Refer to diagrams for rough-in of freeze-resistant system and plumbing. Mount wall plate assembly to wall per the installation instructions. Hang fountain panel over the wall plate assembly. Attach fountain to wall plate assembly. Water service line and waste line are to be assembled as required. Final check for leaks and correct functions of fountain should be made. (For details see the installation instructions.)

Freeze resistant box must be installed on interior non-freezing wall.

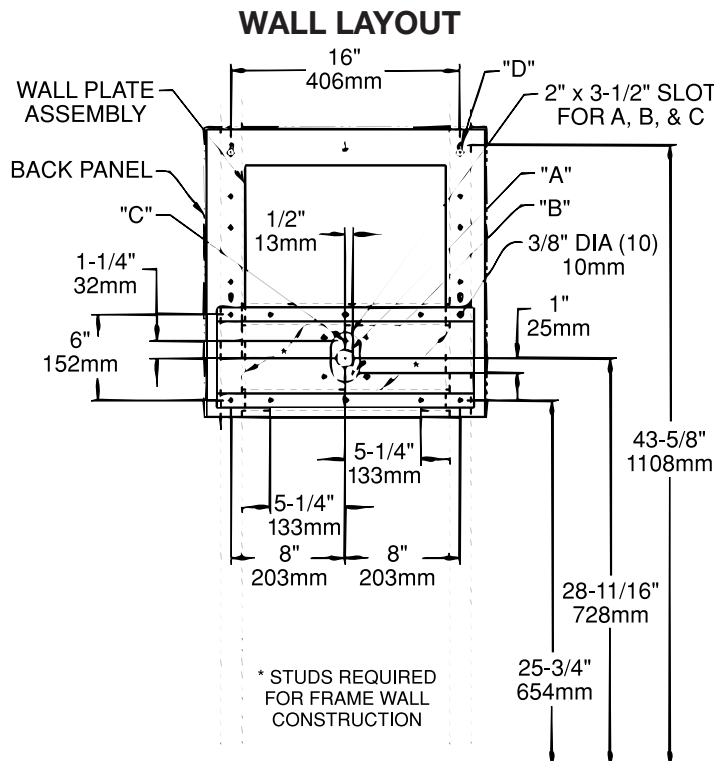
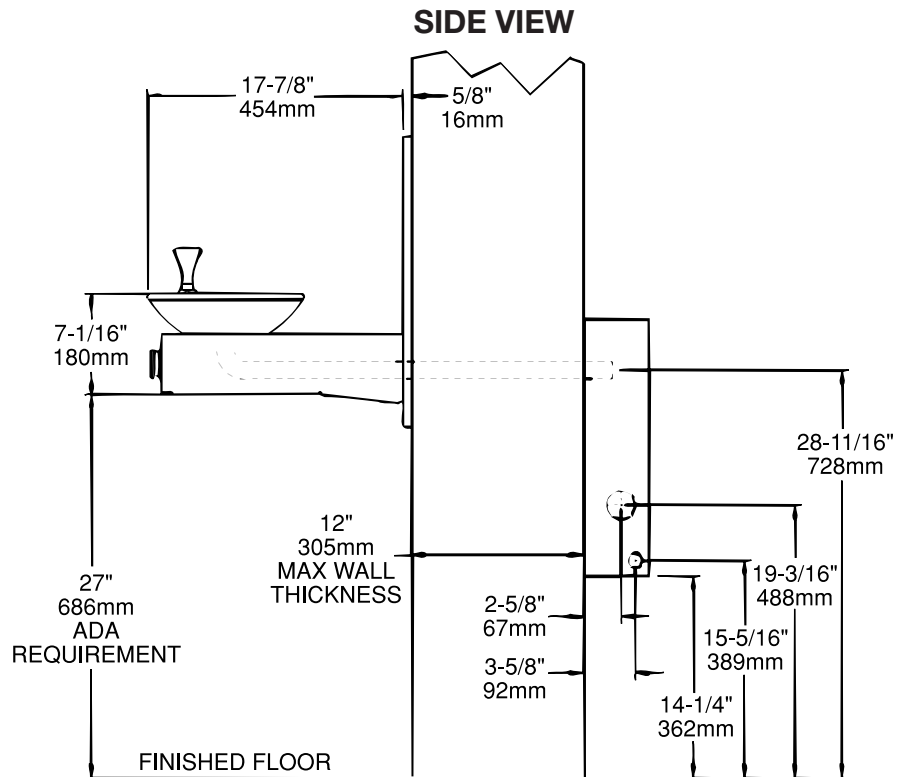
CAUTION – Fountain must be securely bolted to wall.

OPERATING PRESSURES:

Supply water - 105 psi maximum

NOTE: A service supply stop (not included) must be installed at the fountain inlet line.

NOTE: For wall support required locations see installation instructions provided with panel and fountain.



LEGEND:

A = 1-3/4" HOLE FOR 1-1/4" O.D. WASTE TUBE (TRAP AND ELBOW PROVIDED)

B = 7/8" HOLE FOR 1/4" O.D. FREEZE-RESISTANT CABLE

C = 7/8" HOLE FOR 1/4" O.D. PLASTIC TUBE (BUBBLER WATER SUPPLY)

D = 1/4" (6mm) DIA. HOLES FOR MOUNTING PLATE TO WALL