

## Single-Lever Kitchen Faucet Models LKE4100, LKE4100F, LKE4101, and LKLF4100

### FEATURES

#### Model LKE4100

- Three hole, single-lever top mount kitchen faucet
  - Three 1-1/2" (38.8mm) diameter faucet holes required
  - Maximum counter top thickness is 1" (25.4mm)
- Temperature and flow controlled by one movement of the single-lever handle
- Tubular, 360° swing spout with restricted flow aerator and brass escutcheon
- Highly polished, chrome plated finish
- Removable cartridge
- 3/8" (10mm) O.D.; 10" (254mm) LONG; copper tube connections
- Ship Wt. 2-3/4 lbs. (1.2 Kg)
- Maximum flow rate
  - 2.5 GPM/9.5 L/min at 80 P.S.I.G.
  - 2.2 GPM/8.3 L/min at 60 P.S.I.G.

#### Model LKE4100F

- Same as LKE4100 except with 1/2" (13mm) I.P. adapters
- Ship Wt. 3 lbs. (1.4 Kg)

#### Model LKE4101

- Same as LKE4100 except with chrome retractable spray head and hose
- Requires four faucet holes
- Ship Wt. 3-1/4 lbs. (1.5 Kg)

#### Model LKLF4100

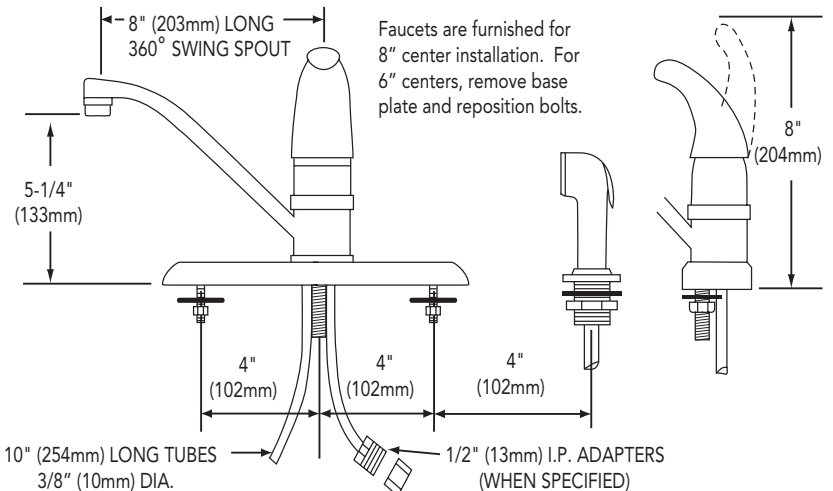
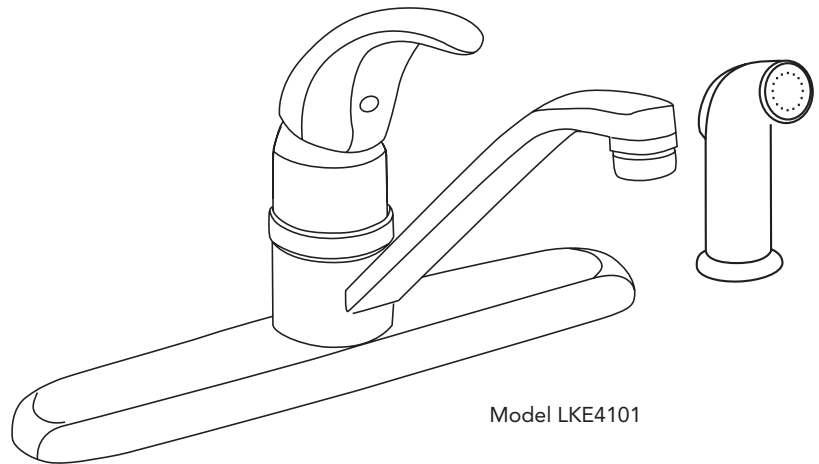
- Same as LKE4100 except with a 1.5 GPM aerator
- Ship Wt. 2-3/4 lbs. (1.2 Kg)
- Maximum flow rate
  - 1.5 GPM/5.7 L/min at 60 P.S.I.G.

### WARRANTY

- Limited Lifetime

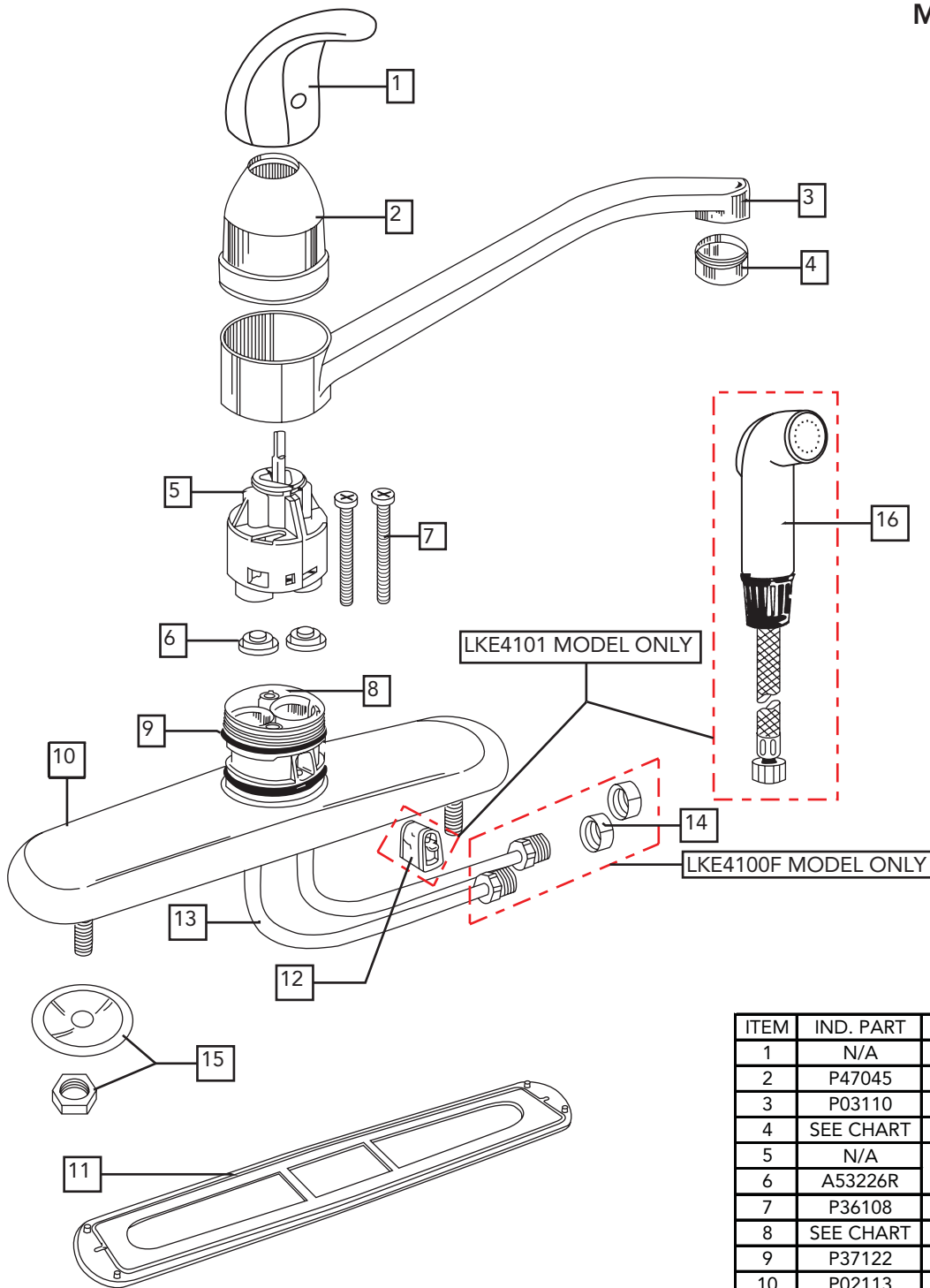
### COMPLIES WITH:

- ADA
  - LKE4100/4100F/LKLF4100 models only
- ANSI/NSF61 - Certified
- ASME A112.18.1/CSA B125.1
- CA AB1953/VT S152



SEE OTHER SIDE FOR REPLACEMENT PARTS

### Single-Lever Kitchen Faucet Models LKE4100, LKE4100F, LKE4101, and LKLF4100



FAUCET	HOUSING	BASE	AERATOR
LKE4100	P47051	P47017	P05101
LKE4100F	P47051	P47017	P05101
LKE4101	P47071	P47011	P05101
LKLF4100	P47051	P47017	P05129

ITEM	IND. PART	KIT PART	DESCRIPTION
1	N/A	A53080R	HANDLE ASSEMBLY
2	P47045	N/A	DOMES
3	P03110	N/A	SPOUT ASSEMBLY
4	SEE CHART	N/A	AERATOR
5	N/A	A52399R	CARTRIDGE
6	A53226R		
7	P36108	N/A	SCREW
8	SEE CHART	N/A	HOUSING
9	P37122	N/A	O-RING
10	P02113	A52401R	ESCUTCHEON ASSEMBLY
11	P35124		
12	P48020	N/A	DIVERTER
13	SEE CHART	N/A	BASE
14	P43156	N/A	COUPLING NUT
15	N/A	A52729R	MOUNTING HARDWARE
16	N/A	A55450R	SIDE SPRAY ASSEMBLY