



INSTALLATION, OPERATION & MAINTENANCE INSTRUCTIONS

1455 Kleppe Lane ♦ Sparks, NV 89431-6467 ♦ (775) 359-4712 ♦ Fax (775) 359-7424
E-mail: haws@hawsco.com ♦ website: www.hawsco.com

No. 2080090(8)

Model 7760B & 7760BT Eye/Face Wash

NOTE TO INSTALLER: Please leave this information with the Maintenance Department.

LIMITED WARRANTY

HAWS® warrants that all of its products are guaranteed against defective material or poor workmanship for a period of **one year from date of shipment**. HAWS liability under this warranty shall be discharged by furnishing without charge F.O.B. HAWS Factory any goods, or part thereof, which shall appear to the Company upon inspection to be of defective material or not of first class workmanship, provided that claim is made in writing to company within a reasonable period after receipt of the product. Where claims for defects are made, the defective part or parts shall be delivered to the Company, prepaid, for inspection. HAWS will not be liable for the cost of repairs, alterations or replacements, or for any expense connected therewith made by the owner or his agents, except upon written authority from HAWS, Sparks, Nevada. HAWS will not be liable for any damages caused by defective materials or poor workmanship, except for replacements, as provided above. Buyer agrees that Haws has made no other warranties either expressed or implied in addition to those above stated, except that of title with respect to any of the products or equipment sold hereunder and that HAWS shall not be liable for general, special, or consequential damages claimed to arise under the contract of sale.

The emergency equipment manufactured by HAWS is warranted to function if installation and maintenance instructions provided are adhered to. The units also must be used for the purpose, which they were intended. This product is intended to supplement first-aid treatment. Due to widely varying conditions HAWS cannot guarantee that the use of this emergency equipment will prevent serious injury or the aggravation of existing or prior injuries.

NO OTHER WARRANTIES EXPRESSED OR IMPLIED ARE AUTHORIZED, PROVIDED OR GIVEN BY HAWS.

SHOULD YOU EXPERIENCE DIFFICULTY WITH THE INSTALLATION OF THIS MODEL, PLEASE CALL:

1-800-766-5612

FOR PARTS CALL:

1-800-758-9378

**(U.S.A. AND CANADA ONLY) MONDAY-THURSDAY: 6:00 A.M. – 4:00 P.M. PST
FRIDAY: 6:00 A.M. – 1:00 P.M. PST**

LOCATION OF UNIT: The Models 7760B & 7760BT Emergency Eye/Face washes should be installed in close proximity to potential accident areas. It should be clearly identified, free from obstructions and easy to access.

SUPPLY LINE: The minimum recommended line size is 1/2" IPS with 30-90 psi (2-6 ATM) flowing pressure. Where sediment or mineral content is a problem, an inlet filter is recommended.

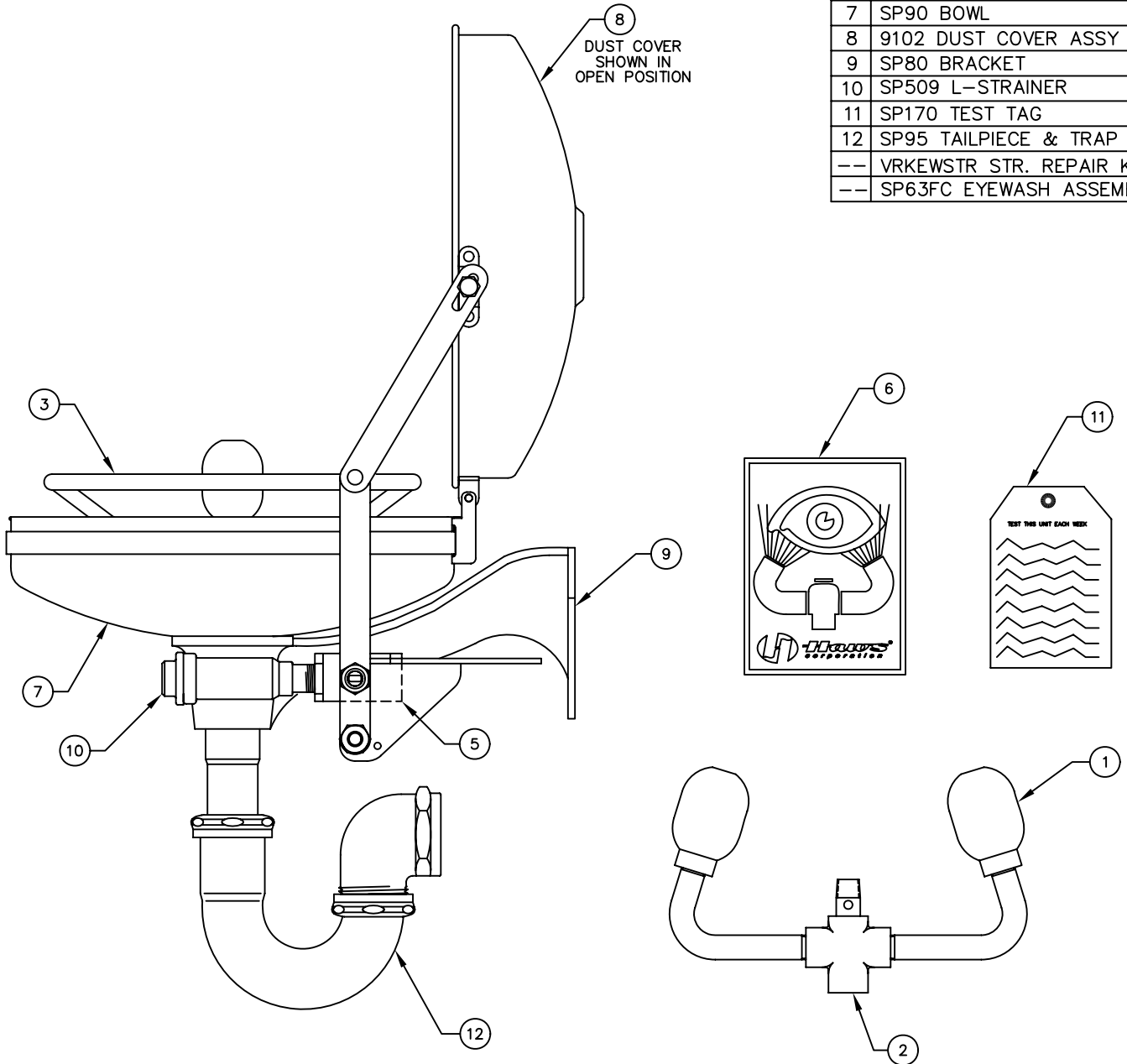
PLUMBING CONNECTIONS: Inlet supply is female 1/2" IPS. Waste outlet is 1-1/2" IPS.

TROUBLESHOOTING			
PROBLEM		REPAIR CHECKLIST	
1.	No flow.	1.	Check the main shut-off valve.
2.	Insufficient water flow.	2. a.	Verify minimum 30psi flowing supply line pressure.
		b.	Probable clogging of flow control due to inadequate line flushing. Unscrew eyewash heads to gain access and clean rubber flow controls. Unscrew tee to clean face ring flow control.
3.	Eyewash stream does not meet desired eye level.	3.	Possible blocked flow control, see above solution. Possible non-leveled eyewash assembly.
4.	Water does not drain properly.	4.	Check the main waste line of your building to see if it does handle the capacity required for the entire drainage system.

For more information about Haws products see our website: www.hawesco.com

PARTS BREAKDOWN


ITEM	DESCRIPTION
1	SP11FC EYEWASH HEADS
2	SP34FC FACE RING FLOW CTRL
3	SP30 FACE SPRAY RING
4	-
5	SP229 VALVE ASSEMBLY
6	SP175 EYEWASH SIGN
7	SP90 BOWL
8	9102 DUST COVER ASSY
9	SP80 BRACKET
10	SP509 L-STRAINER
11	SP170 TEST TAG
12	SP95 TAILPIECE & TRAP
--	VRKEWSTR STR. REPAIR KIT
--	SP63FC EYEWASH ASSEMBLY



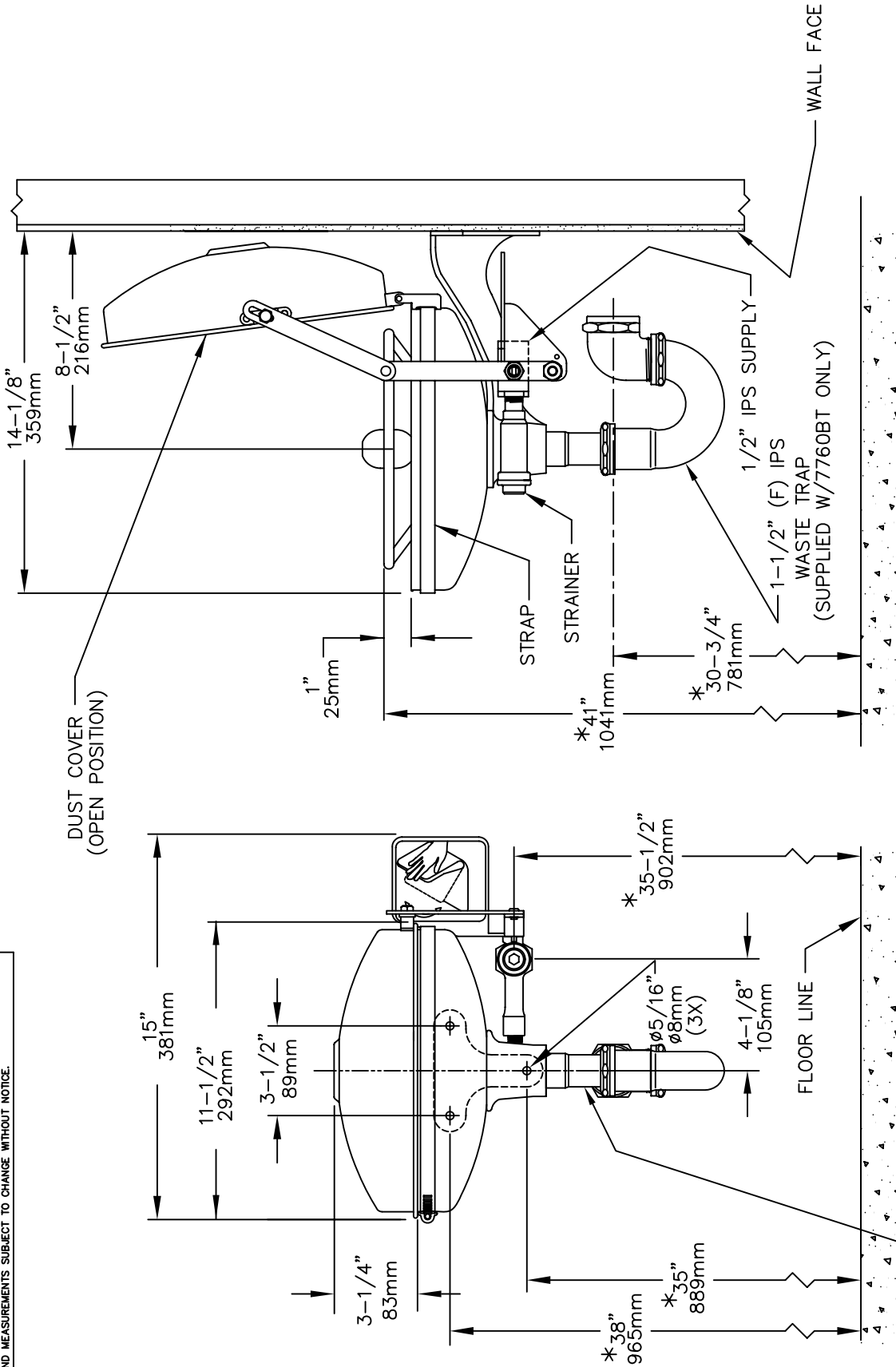
NOTE: SP95 TAILPIECE & TRAP USED FOR MODEL 7760BT ONLY

SP63FC EYEWASH ASSY.

WHEN ORDERING PARTS PLEASE SPECIFY YOUR MODEL NUMBER

 Haws corporation	1455 KLEPPE LANE SPARKS, NEVADA	BACHWEG 3 CH3401 BURGDORF SWITZERLAND
	DRAWN BY: CLF DATE: 03/03/93 CHECK BY: APP'D BY: SCALE: 1/2	TITLE: 7760B/7760BT EYE/FACE WASH PART NUMBER: 0002080090
DRAWING TYPE: PARTS BREAKDOWN	DRAWING NUMBER: 11465C00	REV: 8

THIS DOCUMENT IS TRUE AND CORRECT AT TIME OF PUBLICATION. CONTINUED PRODUCT IMPROVEMENTS MAKE SPECIFICATIONS AND MEASUREMENTS SUBJECT TO CHANGE WITHOUT NOTICE.



NOTES:

1. ANSI STANDARD SPECIFIES EYEWASH NOZZLES TO BE 33" (838mm) TO 45" (1143mm) ABOVE THE FLOOR.
2. *THESE DIMENSIONS MAY VARY ±1/4" [6.4mm].

— TAILPIECE 1 1/4" O.D. (SUPPLIED W/7760BT ONLY)

Haws Corporation

INFO FAX : 1-888-FAX-HAWS (1-888-329-4297)
 1455 Kleppe Ln, Sparks NV, 89431
 Phone: 775-359-4712 Fax: 775-359-7424
 Haws Ag, Bachweg 3, CH-3401 Burgdorf, Switzerland
 Haws Mfg Pte Ltd, 74 Sungai Kadut Loop, Singapore 729531
 e-mail: Haws@hawsco.com website: www.hawsco.com

FOR NO.	REVISION	DATE	BY	CHKD	DATE	APPROVED
ECN: 3592	HM	05/91				

MODEL(S): 7760BT/7760BT EYE/FACE WASH
 DRAWING NUMBER: 09403A00
 SCALE: 1:1
 INSTALLATION/FABRICATION TYPE: 1 OF 1