

ELKAY® SPECIFICATIONS

No Lead Two-Level Drinking Fountain Soft Sides® Wall Mount – Fully Exposed with Wall Plate Barrier-Free Access Model EDFPVR217RC

GENERAL

With a contemporary look and smooth, rounded lines, this two-level, wall mounted drinking fountain is constructed of a premium composite, solid surface material with a white granite finish. Contoured basin minimizes splashing and includes heavy duty, one-piece construction vandal-resistant bubblers which are keyed in location to prevent rotation. Easy to operate, fully functional push-buttons are vandal-resistant. Vandal-resistant bottom cover plates included. Flow regulator provides constant stream from 20 to 105 psi water pressure.

THIS DRINKING FOUNTAIN COMPLIES WITH THE REQUIREMENTS OF A.D.A. (AMERICANS WITH DISABILITIES ACT) WHEN PROPERLY INSTALLED.

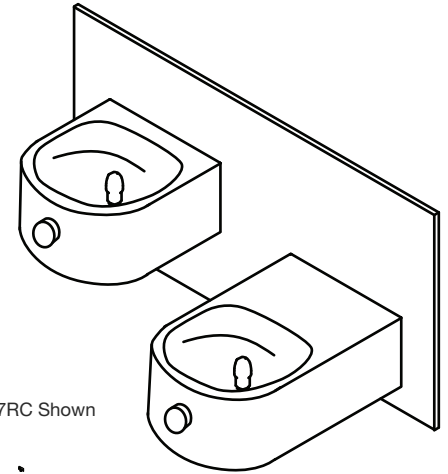
NO LEAD DESIGN

THIS DRINKING FOUNTAIN COMPLIES WITH THE LEAD-FREE DEFINITION IN THE SAFE DRINKING WATER ACT OF 1986 AND LEAD CONTAMINATION CONTROL ACT OF 1988.

Elkay Drinking Fountains are manufactured with a waterway system utilizing copper components and completely lead-free material. These waterways have no lead because all leaded materials, such as leaded brass, have been removed.

CONSTRUCTION

EDFPVR217RC furnished complete with one-piece construction, vandal-resistant bubblers, fully assembled front push-buttons, flow regulator (20 to 105 psi), drain and trap assemblies and vandal-resistant bottom cover plates.



Model EDFPVR217RC Shown

ACCESSORIES

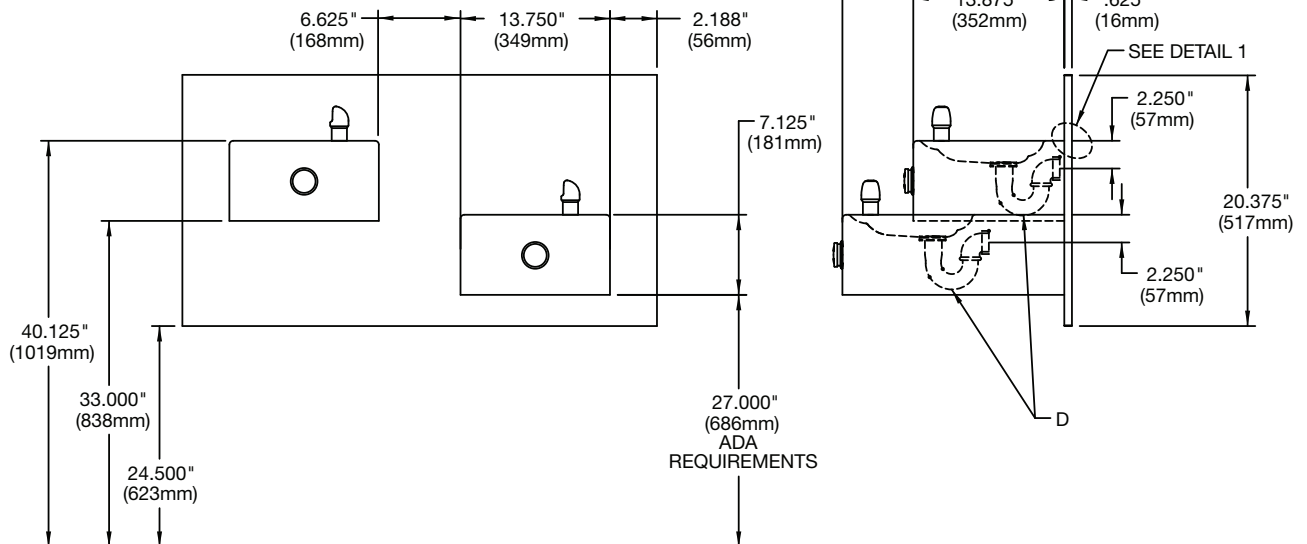
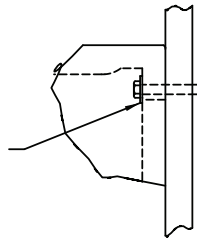
MPW200 In-wall carrier mounting plate.

ML100 Support columns for MPW200.

STANDARDS

This fountain is certified by WQA to lead-free compliance including **NSF/ANSI 61-ANNEX G, AB 1953**.

DETAIL 1
WASHER REQUIRED
TO MINIMIZE BREAKAGE
OF FOUNTAIN
(TYP. ALL 4 MOUNTING BOLTS.
MOUNTING BOLTS & WASHERS
NOT INCLUDED)



In keeping with our policy of continuing product improvement, Elkay reserves the right to change product specifications without notice. Please visit elkayusa.com for most current version of Elkay product specification sheets.

This specification describes an Elkay product with design, quality and functional benefits to the user. When making a comparison of other producers' offerings, be certain these features are not overlooked.

Elkay

elkayusa.com

2222 Camden Court
Oak Brook, IL 60523

Printed in U.S.A.
©2011 Elkay

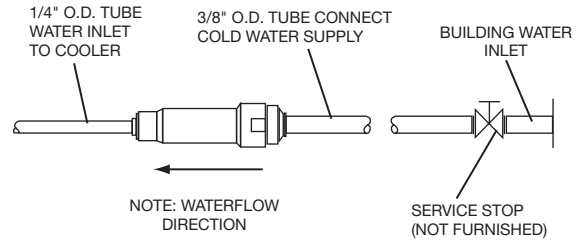
(Rev. 4/11) 14-52A

**No Lead Two-Level Drinking Fountain Soft Sides®
Wall Mount – Fully Exposed with Wall Plate
Barrier-Free Access Model EDFPVR217RC**

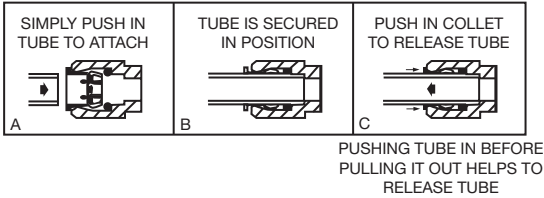
**ELKAY®
SPECIFICATIONS**

INSTALLER NOTE

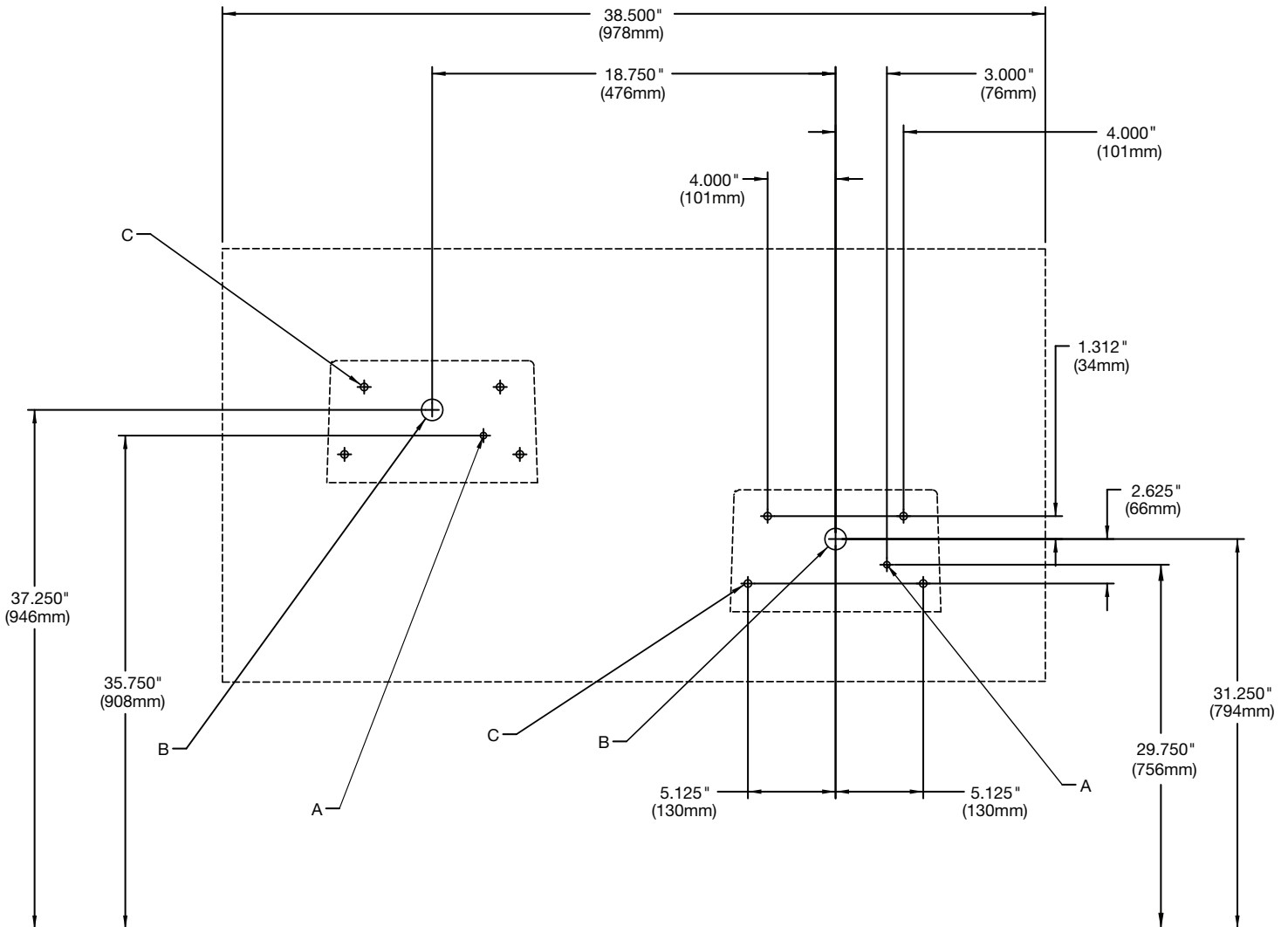
THIS DRINKING FOUNTAIN IS FURNISHED WITH A BUBBLER AND VALVE INCLUDING ALL CONNECTING FITTINGS WHICH ARE MANUFACTURED OF COMPLETELY LEAD FREE MATERIAL. SHUT OFF VALVE (NOT FURNISHED) TO ACCEPT 3/8" O.D. UNPLATED COPPER TUBE.



OPERATION OF QUICK CONNECT FITTINGS



WALL ROUGH-IN



LEGEND:

- A = 7/8" DIA. (22mm) HOLE FOR WATER SUPPLY
- B = 1-3/4" DIA. (44mm) HOLE FOR WASTE LINE
- C = 1/2" DIA. (13mm) CLEARANCE HOLE FOR MOUNTING