

Dual Handle Kitchen Faucet Models LKD230 and LKD231

FEATURES

Model LKD230

- Three hole, concealed mount kitchen faucet
 - Three 1-1/2" (38.8mm) diameter faucet holes required
 - Maximum countertop thickness is 1-1/4" (32mm)
- 360° swing spout with self cleaning aerator and brass escutcheon
- Highly polished, chrome plated finish
- Removable Cartridge.
- 1/2" (13mm) I.P. connections on 8" (203mm) centers.
- Ship Wt. 6-3/4 lbs. (3.1Kg)
- Maximum flow rate
 - 2.5 GPM/9.5 L/min at 80 P.S.I.G.
 - 2.2 GPM/8.3 L/min at 60 P.S.I.G.

Model LKD231

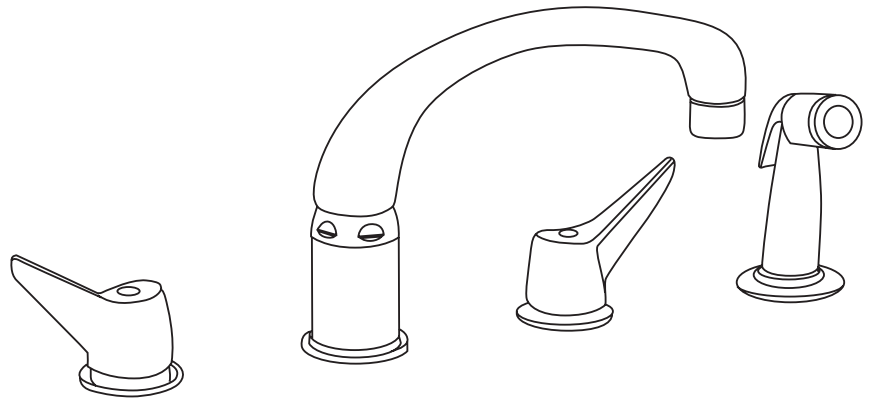
- Same as LKD230 except with retractable spray head and hose.
- Requires four faucet holes 1-1/2" (38mm).
- Ship Wt. 7-1/2 lbs. (3.4Kg)

WARRANTY

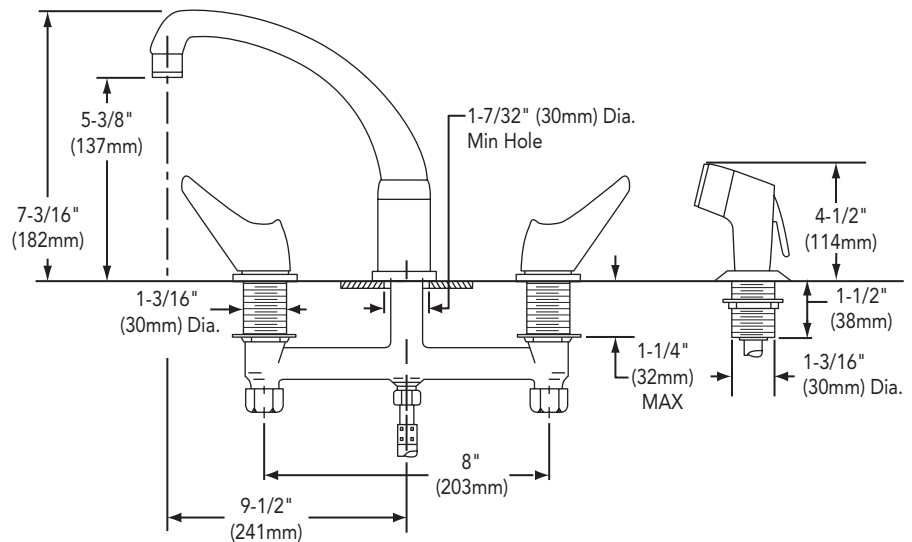
- Limited Lifetime

COMPLIES WITH:

- ADA
- ANSI/NSF61 - Certified
- ASME 112.18.1/CSA B125-01
- CA AB1953/VT S152

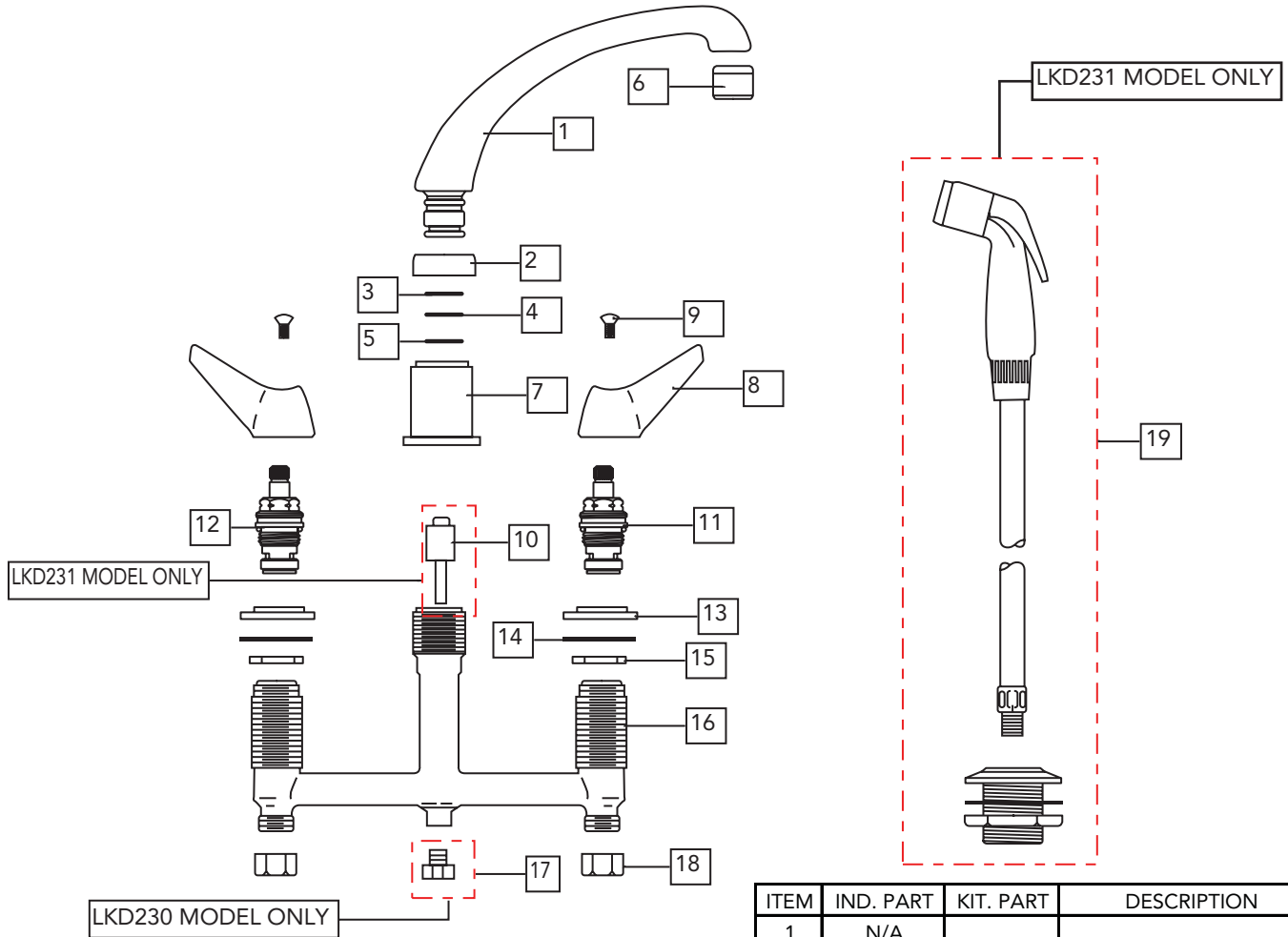


Model LKD231



SEE OTHER SIDE FOR REPLACEMENT PARTS

Dual Handle Kitchen Faucet Models LKD230 and LKD231



ITEM	IND. PART	KIT. PART	DESCRIPTION
1	N/A	A55052R	SPOUT ASSEMBLY
2	N/A		
3	N/A		
4	N/A		
5	N/A		
6	P05103		
7	P02101	N/A	ESCUTCHEON
8	P01265	A72425R	HANDLE ASSEMBLY
9	P36120		
10	P48019	N/A	DIVERTER
11	P29121NL	N/A	RH CARTRIDGE
12	P29122NL	N/A	LH CARTRIDGE
13	P35162	N/A	LOCKNUT
14	P35174	N/A	WASHER
15	P35144	N/A	LOCKNUT
16	P47031NL	A73640R	BODY ASSEMBLY
17	N/A		
18	P02103	N/A	COUPLING NUT
19	A55449R	N/A	SIDE SPRAY ASSEMBLY

*Parts ending in NL effective 10/1/2009. Prior to 10/1/2009 order part less NL suffix.