

Hi-Arc® Dual Handle Bar Faucet Models LKDA2447 and LKD2447BH

FEATURES

Model LKDA2447

- Two hole top mount faucet
 - Two 1-1/2" (38mm) faucet holes required
 - Maximum countertop thickness 1-1/8" (29mm)
- Tubular high-arc 360° swing spout with restricted flow aerator
- Dual-Clear Crystalac handle faucet
- Stainless steel escutcheon
- Removable ceramic disc cartridges
- A 90° turn of the handle controls water from drip-free off to full on
- Ship Wt. 2-3/4 lbs. (1.2Kg)
- Maximum flow rate
 - 2.5 GPM/9.5 L/min at 80 P.S.I.G.
 - 2.2 GPM/8.3 L/min at 60 P.S.I.G.

Model LKD2447BH

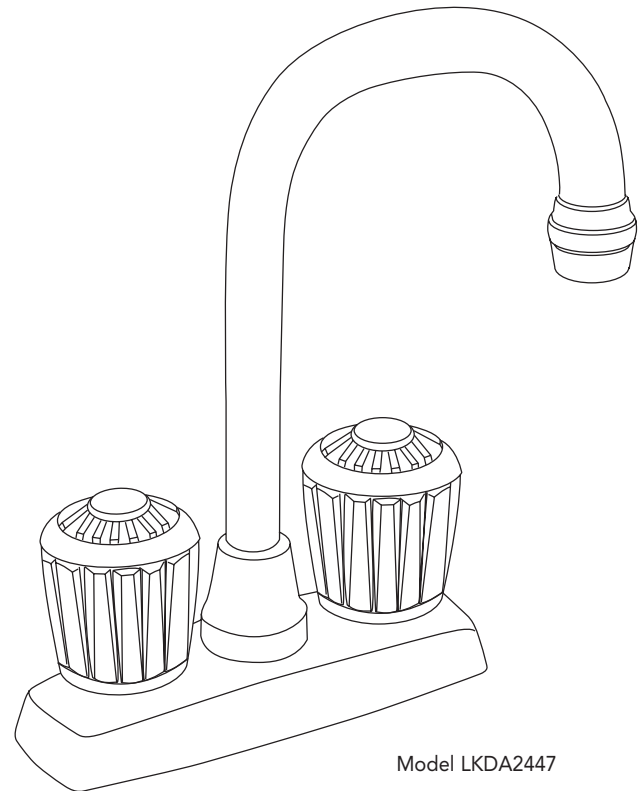
- Same as LKDA2447 except with 4" (102mm) blade handles and 120° turn handle control
- Ship weight is 4 lbs. (1.8Kg)

WARRANTY

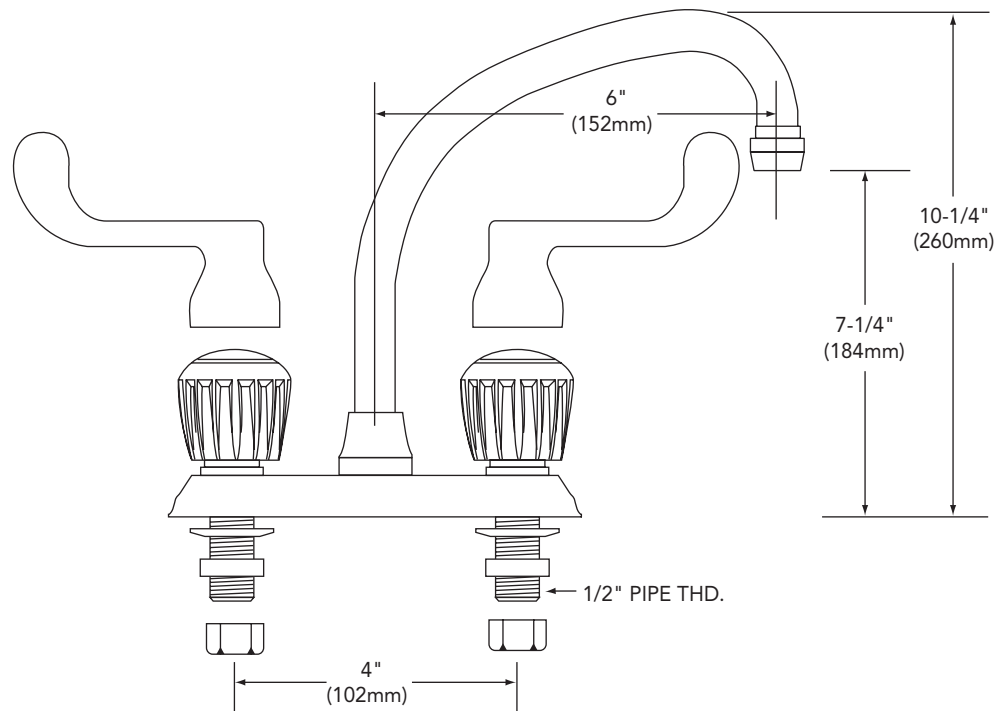
- Limited Lifetime

COMPLIES WITH:

- ADA
 - LKD2447BH model only
- ANSI/NSF61 - Certified
- ASME 112.18.1/CSA B125-01
- CA AB1953/VT S152

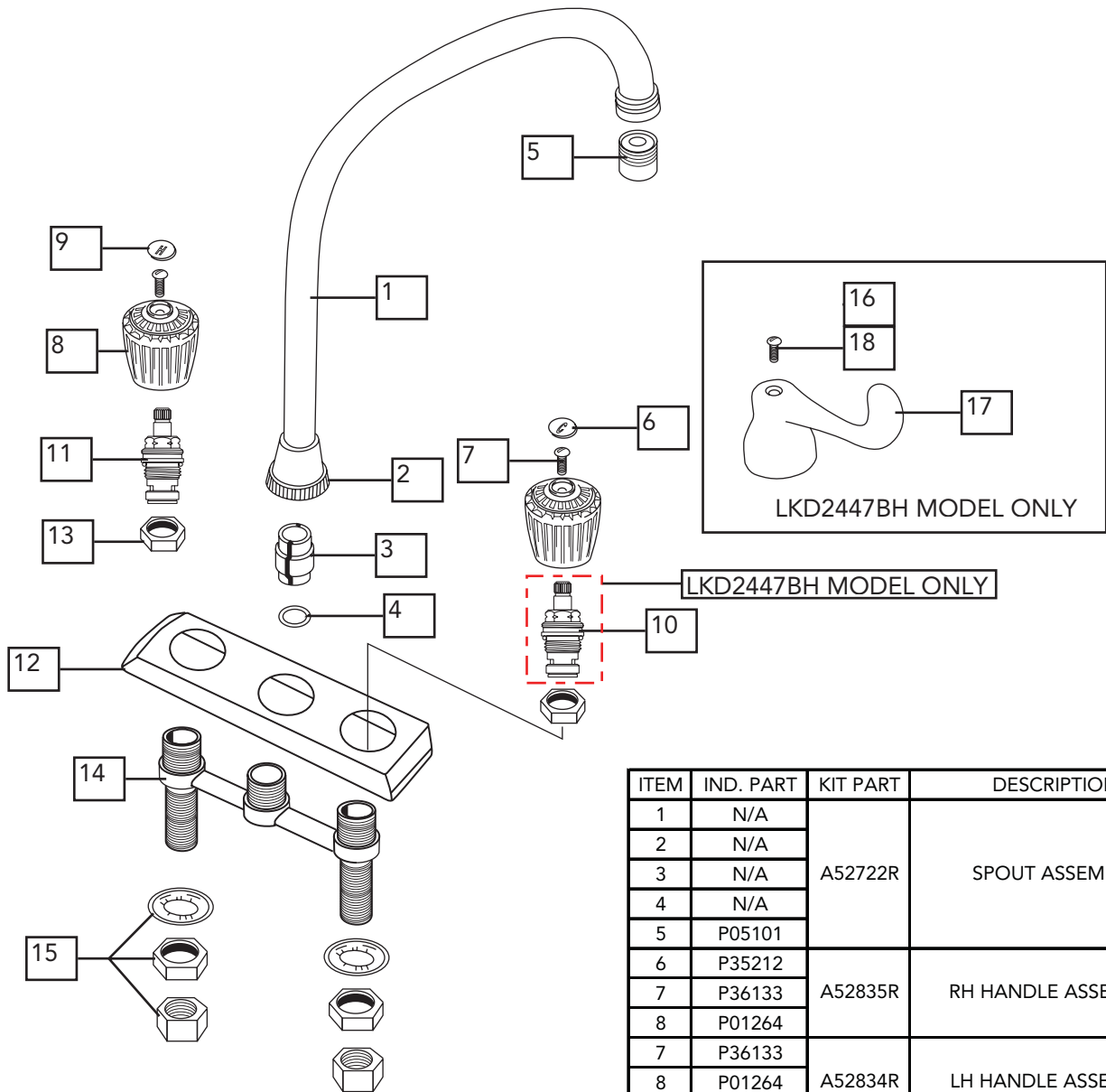


Model LKDA2447



SEE OTHER SIDE FOR REPLACEMENT PARTS

Hi-Arc® Dual Handle Bar Faucet Models LKDA2447 and LKD2447BH



ITEM	IND. PART	KIT PART	DESCRIPTION
1	N/A	A52722R	SPOUT ASSEMBLY
2	N/A		
3	N/A		
4	N/A		
5	P05101		
6	P35212	A52835R	RH HANDLE ASSEMBLY
7	P36133		
7	P36133	A52834R	LH HANDLE ASSEMBLY
8	P01264		
9	P35211		
10	P29121NL	N/A	RH CARTRIDGE
11	P29122NL	N/A	LH CARTRIDGE
12	P02105	N/A	ESCUTCHEON
13	P02163	N/A	NUT
14	P47030NL	N/A	BODY
15	P35100	N/A	MOUNTING HARDWARE
16	P36114	A55180R	RH BH HANDLE ASSEMBLY
17	P01241		
17	P01241	A55179R	LH BH HANDLE ASSEMBLY
18	P36115		

*Parts ending in NL effective 10/1/2009. Prior to 10/1/2009 order part less NL suffix.