

# ELKAY® SPECIFICATIONS

## No Lead Remote Chiller Air Cooled–Stainless Steel Waterways Model ERS1

### GENERAL

Remote type, electric refrigerated, water chiller unit. Chilling capacity of 1.5 gallons per hour of 50°F drinking water, based upon 80°F inlet water and 90°F ambient.

Compact, highly efficient water chiller units are designed for use with any drinking fountain. Also connects to a bubbler, glass filler or cold water dispenser. Converts a fountain into a water cooler. Installs directly under fountain or other application, or may be located in a service area to serve a remote outlet (within 15 feet recommended). Also recommended for photo-processing, medical or experimental laboratories and a pre-cooler for beverage dispensing.

### NO LEAD DESIGN

**THIS WATER CHILLER COMPLIES WITH THE LEAD-FREE DEFINITION IN THE SAFE DRINKING WATER ACT OF 1986 AND LEAD CONTAMINATION CONTROL ACT OF 1988.**

This Elkay Water Chiller is manufactured with a waterway system utilizing stainless steel components and completely lead-free materials. These waterways have no lead because all lead-containing materials, such as leaded brass, have been removed. All joints are brazed using silver solder only. No lead solder is permitted. Ideal for use with filter treated water, domestic water supply or reverse osmosis systems.

This water cooler is certified to **NSF/ANSI 61**.

### CAPACITIES CHART

Model Number	Base Rate	*GPH of 50°F Drinking Water				Rated Watts	Full Load Amps	Ship. Wt. Lbs.
		Room Temperature °F						
		70°F	80°F	90°F	100°F			
ERS1	1.5	1.8	1.7	1.5	1.4	155	1.7	33

\*Based on 80°F inlet water temperature.

Rated watts shown are based on operational (run) time, in compliance with A.R.I. Standard 1010 conditions. Specific applications will determine the actual watts consumed per hour. Watts consumed will be based on number of people served per hour (usage), ambient temperatures, and inlet water temperature.

**Multiple outlet capacities.** Service to 1 station only.

### COOLING SYSTEM

**Motor Compressor:** Hermetically sealed, reciprocating type, 1/18 HP, 115VAC, 60Hz single phase. Sealed in lifetime oil supply.

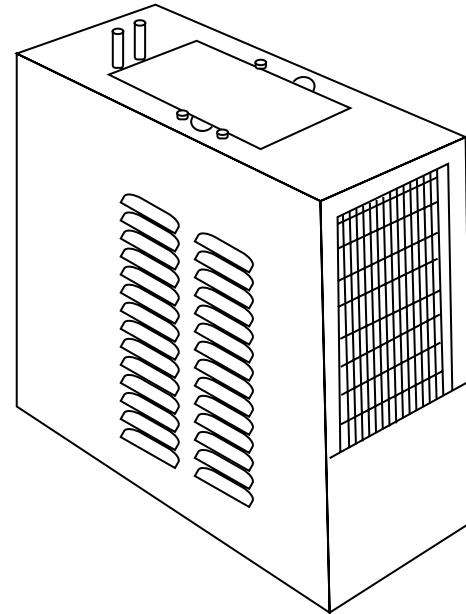
**Power:** Rated 1.8 Amps; 140 Watts.

**Condenser:** Fan cooled, copper tube with aluminum fins. Fan motor is permanently lubricated.

**Cooling Unit:** Combination tube-tank type. Evaporator cooling coil of continuous copper tubing. Tank is stainless steel. Tank volume is 0.7 gallons. All water contact surfaces are stainless steel. Fully insulated.

**Refrigerant Control:** Refrigerant HFC-134a is controlled by accurately calibrated capillary tube for positively trouble-free operation.

**Temperature Control:** Enclosed adjustable thermostat is factory preset. Requires no adjustment other than for altitude requirements.



ERS1 Remote Chiller

### CONSTRUCTION

**Cabinet:** Rust-resistant, galvanized steel.

**Drain Plug:** This chiller is provided with a plastic drain plug which incorporates an o-ring seal. This fitting is designed for potable water applications and should be replaced with a suitable fitting if chiller is used with more aggressive liquids.

**5 YEAR LIMITED WARRANTY** on the refrigeration system of the unit. Electrical components and water system are warranted for 12 months from date of installation. Warranty pertains to drinking water applications only. Non-drinking water applications are not covered under warranty. Sample Certificate available on request.

### STANDARDS



Elkay Electric Air Cooled Water Coolers meet the requirements of NSF/ANSI 61. Unit complies with A.R.I. Standard 1010.

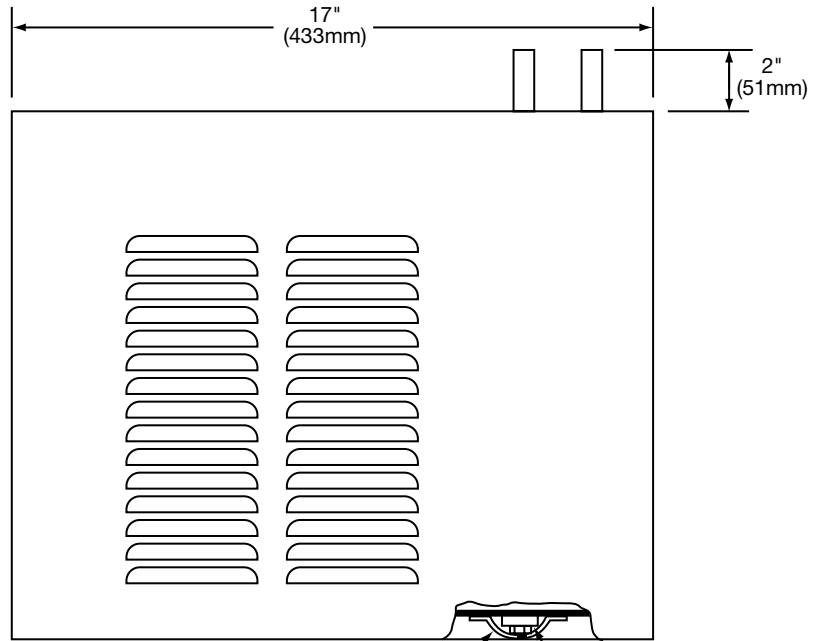
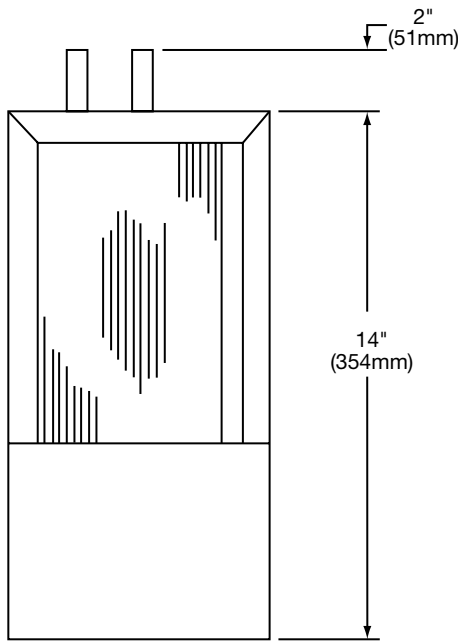
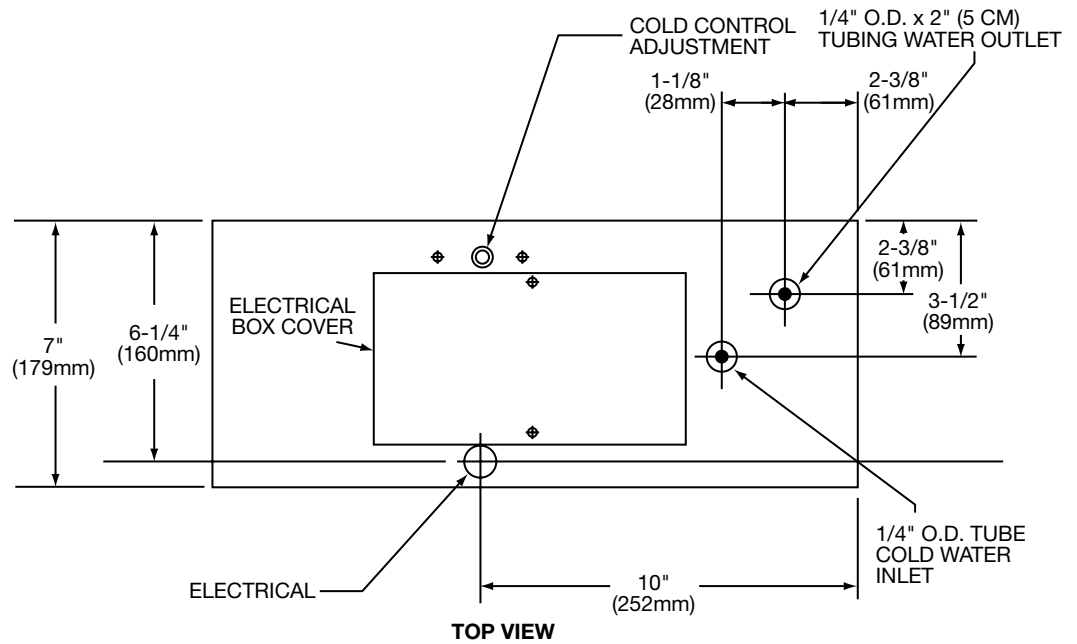
*In keeping with our policy of continuing product improvement, Elkay reserves the right to change product specifications without notice.*

\* Patent #4,481,971

*This specification describes an Elkay product with design, quality and functional benefits to the user. When making a comparison of other producers' offerings, be certain these features are not overlooked.*

**No Lead Remote Chiller  
Air Cooled—Stainless Steel Waterways  
Model ERS1**

**ELKAY®  
ROUGH-IN DIMENSIONS**



**NOTE:** A service stop (not included) should be installed at the chiller inlet line.