

**Foot Pedal Valve
Model LK398C**



SPECIFICATIONS

GENERAL

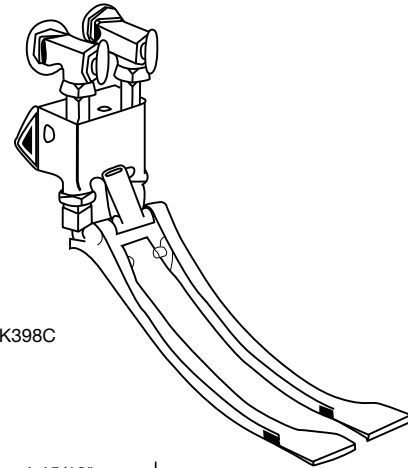
LK398C Chrome plated, wall mounted, double foot pedal valve, 1/2" I.P.S. female inlets and 3/8" I.P.S. female outlet. 14" from wall to tip of package. Mounting package includes (2) angle stops and (2) wall flanges. Ship. Wt. 9 lbs.



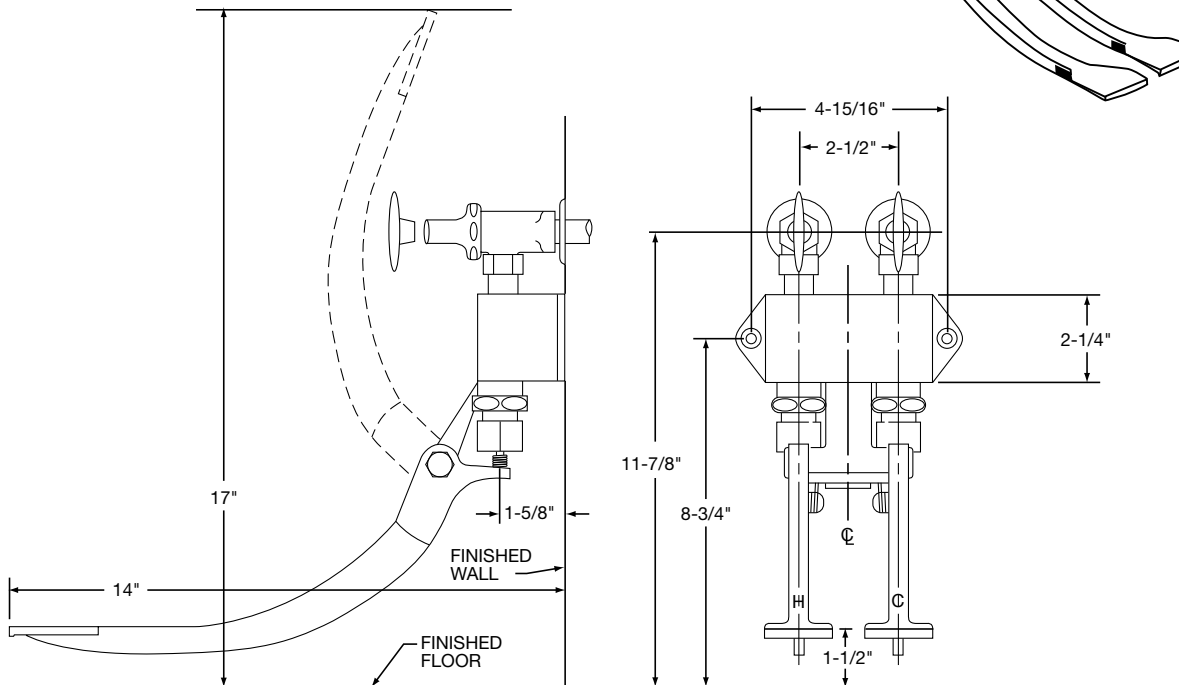
This foot pedal valve is ADA compliant.



This foot pedal valve is classified by Underwriters Laboratories Inc. to **ANSI/NSF61, Section 9** for residential use.



Model LK398C



ELKAY FAUCET/WATER DISPENSERS LIMITED WARRANTY

Elkay warrants its faucet and water dispensers to be free of defects in workmanship and material for a period of one year from the date of purchase. Replacement parts are available from Elkay for a nominal charge. Upon return of a defective part to Elkay during the warranty period with written notice of the claimed defect, Elkay will refund the replacement charge.

WASTE FITTINGS AND ACCESSORIES ARE NOT WARRANTED; OTHER WARRANTY CONDITIONS:

Our warranty does not cover product failure caused by abusive treatment, misuse, or damage due to handling or faulty installations. This warranty is extended only to the original consumer purchaser of the product. This warranty does not cover shipping costs, labor costs, or any other charges for such items as installation or replacement of the sink, diagnosis or replacement of any faucet or component part, or any other expense or loss.

ALL INCIDENTAL OR CONSEQUENTIAL DAMAGES ARE SPECIFICALLY EXCLUDED. NO ADDITIONAL WARRANTIES, EXPRESS OR IMPLIED, ARE GIVEN. ANY IMPLIED WARRANTY, INCLUDING ONE OF MERCHANTABILITY OR FITNESS FOR A PARTICULAR PURPOSE, IS LIMITED TO THE DURATION OF THIS WRITTEN WARRANTY.

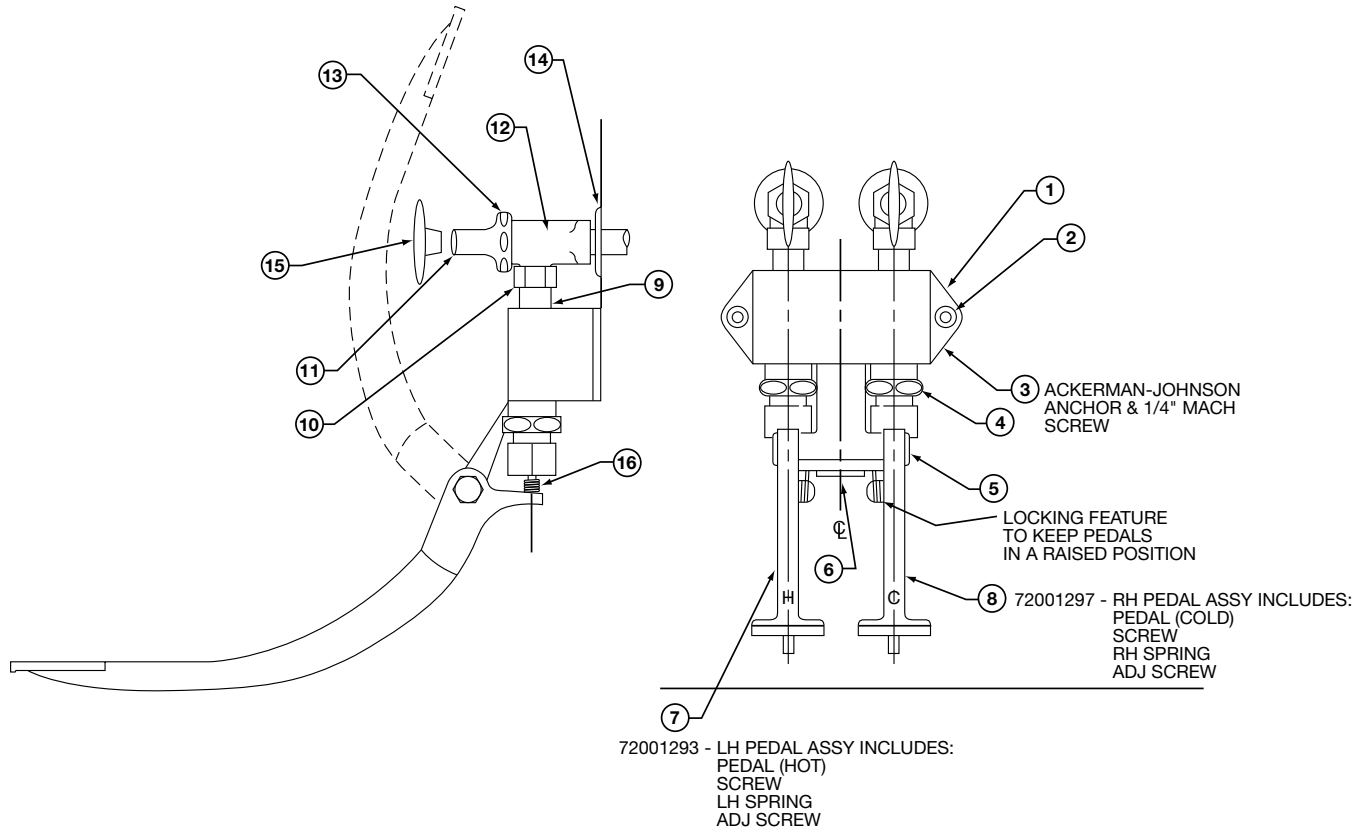
Some states do not allow the exclusion or limitation of incidental or consequential damages or limitations on how long an implied warranty lasts, so the above limitations or exclusions may not apply to you.

This warranty gives you specific legal rights, and you may also have other rights which vary from state to state.

TO OBTAIN SERVICE UNDER WARRANTY

1. Write to: Elkay Manufacturing Company
Attention: Consumer Service
2222 Camden Court
Oak Brook, Illinois 60523
2. Include a letter containing the following information:
 - a. Date of purchase and installation
 - b. Description of nature of defect
 - c. Model number or description of model and/or component part if possible.

PARTS LIST



Item No.	No. Required	Part No.	Description
1	1	72001285	Body
2	2	72001286	Machine Screw
3	2	72001287	Anchor
4	2	72001288	Operating Unit
5	1	72001280	Shaft
6	1	72001279	Bracket
7	1	72001293	LH (Hot) Pedal Assembly
8	1	72001297	RH (Cold) Pedal Assembly
9	2	72001268	Tailpiece
10	2	72001269	Coupling Nut
11	2	72001270	Button Key
12	2	72001271	Stop Body
13	2	72001272	Cap and Gasket
14	2	72001284	Wall Flange
15	2	72000713	Tee Handle Loose
16	2	72001912	Adjustable Screw
N/S	2	72001260	Bracket Screw
N/S	1	72001291	Pedal Stop
N/S	2	72001292	Screw