

T&S BRASS AND BRONZE WORKS, INC.  
 2 SADDLEBACK COVE / P.O. BOX 1088 / TRAVELERS REST, SC 29690  
 PHONE 800-476-4103 FAX 864- 834-3518



REG.#A2601  
 ISO #9002

Model No.

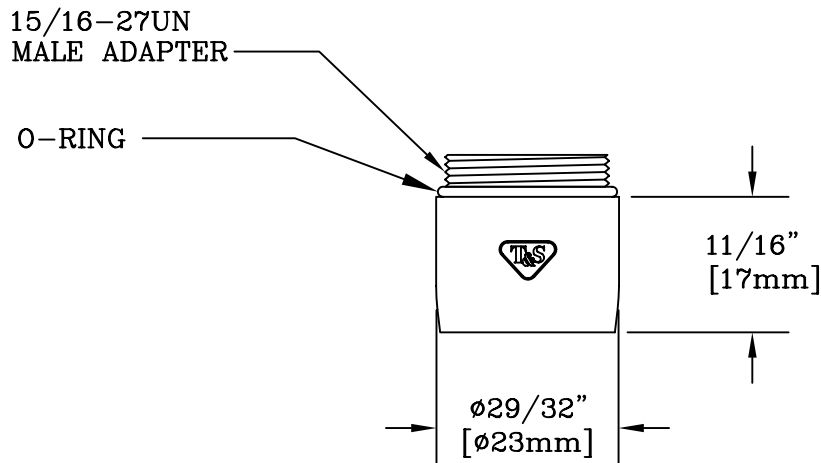
B-0199-04

Item No.:

Job Name:

Architect/Engineer Approval:

Notes:



Product Description:

AERATOR w/ 15/16-27UN MALE THREAD

Drawn:

KJG

Checked

ARH

Scale:

1 : 1

Approved

JHB

Date:

01/22/09