

**Dual Handle Hospitality Faucet
Model LKD2230****FEATURES**

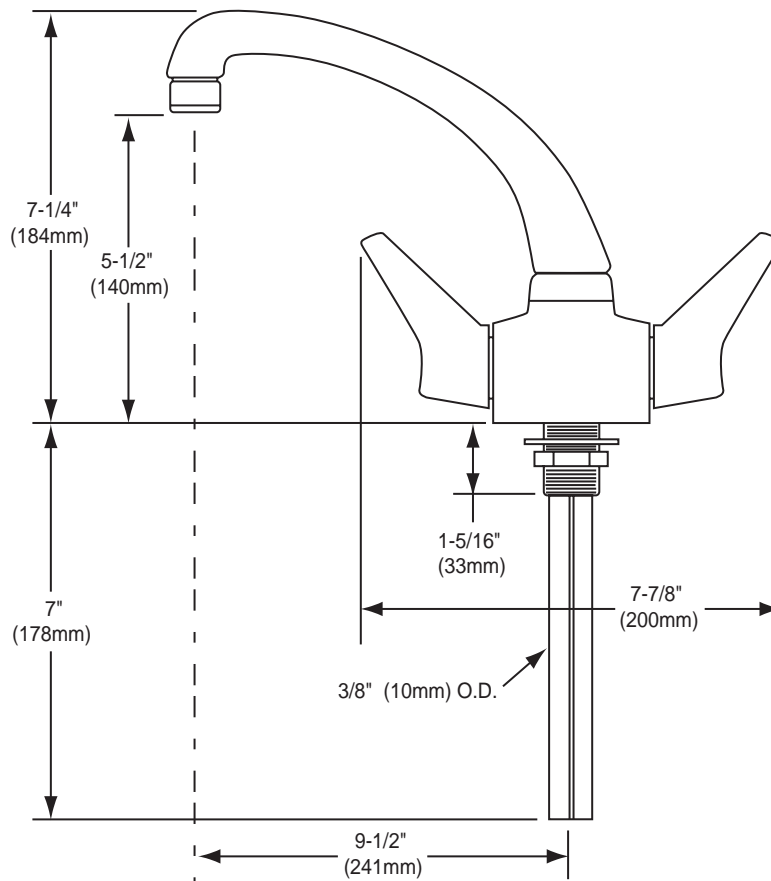
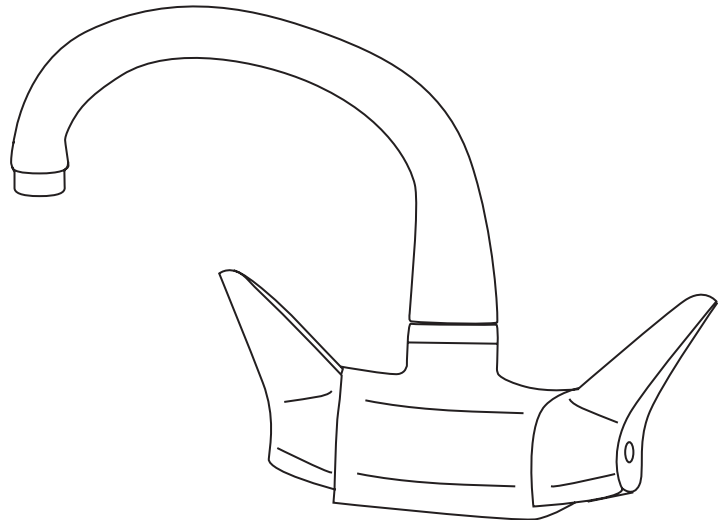
- Single hole top mount installation
 - 1-1/2" (38mm) faucet hole required
 - Maximum countertop thickness 7/8" (22mm)
- Dual handle faucet
- 360° swing spout
- Removable cartridge
- Solid brass construction
- 3/8" (10mm) compression stainless steel flex hoses
- Highly polished, chrome plated finish
- Ship Wt. 6 lbs. (2.7Kg)
- Maximum flow rate
 - 2.5 GPM/9.5 L/min at 80 P.S.I.G.
 - 2.2 GPM/8.3 L/min at 60 P.S.I.G.

WARRANTY

- Limited Lifetime

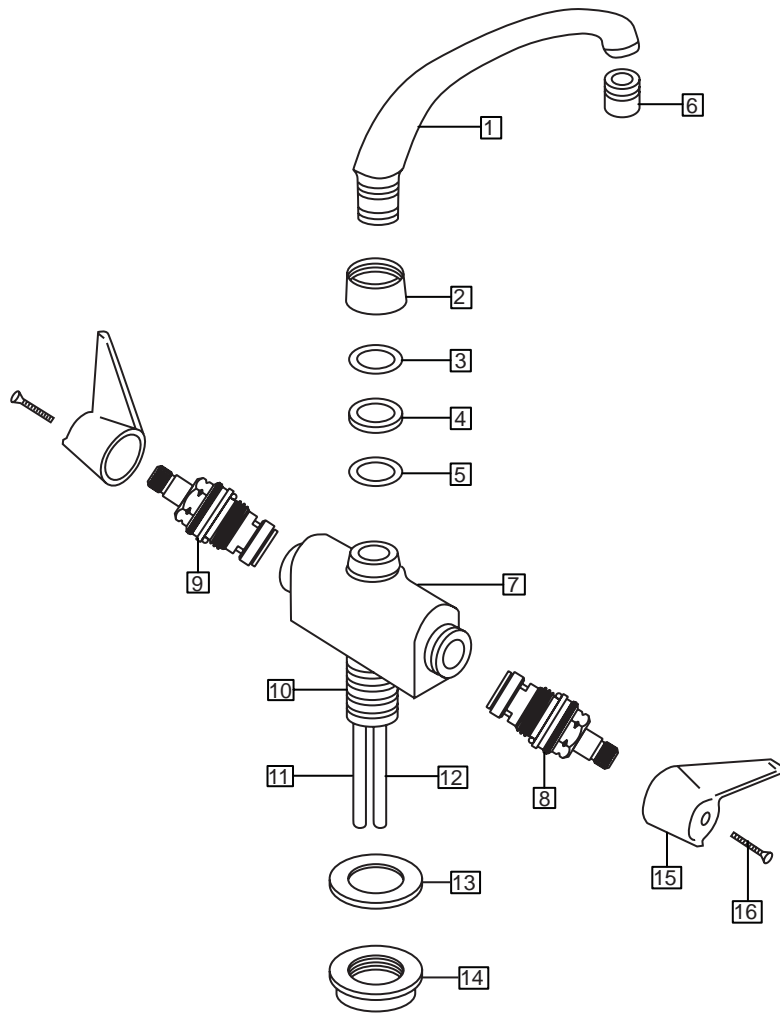
COMPLIES WITH:

- ADA
- ANSI/NSF61 - Certified
- ASME 112.18.1/CSA B125.1
- CA AB1953/VT S152



SEE OTHER SIDE FOR REPLACEMENT PARTS

Dual Handle Hospitality Faucet Model LKD2230



ITEM	IND. PART	KIT PART	DESCRIPTION
1	N/A	A55052	SPOUT ASSEMBLY
2	N/A		
3	N/A		
4	N/A		
5	N/A		
6	P05103		
7	A71274NL	N/A	BODY
8	P29121NL	N/A	RH CARTRIDGE
9	P29122NL	N/A	LH CARTRIDGE
10	A53056	N/A	SHANK
11	A53901NL	N/A	HOT FLEX TUBE
12	A53902NL	N/A	COLD FLEX TUBE
13	A51334	N/A	WASHER
14	A51289	N/A	HOLD DOWN NUT
15	P01265	N/A	HANDLE
16	P36120	N/A	SCREW