



T&S BRASS AND BRONZE WORKS, INC.

2 Saddleback Cove / P.O. Box 1088
Travelers Rest, SC 29690



REG. #A2601
ISO #9001

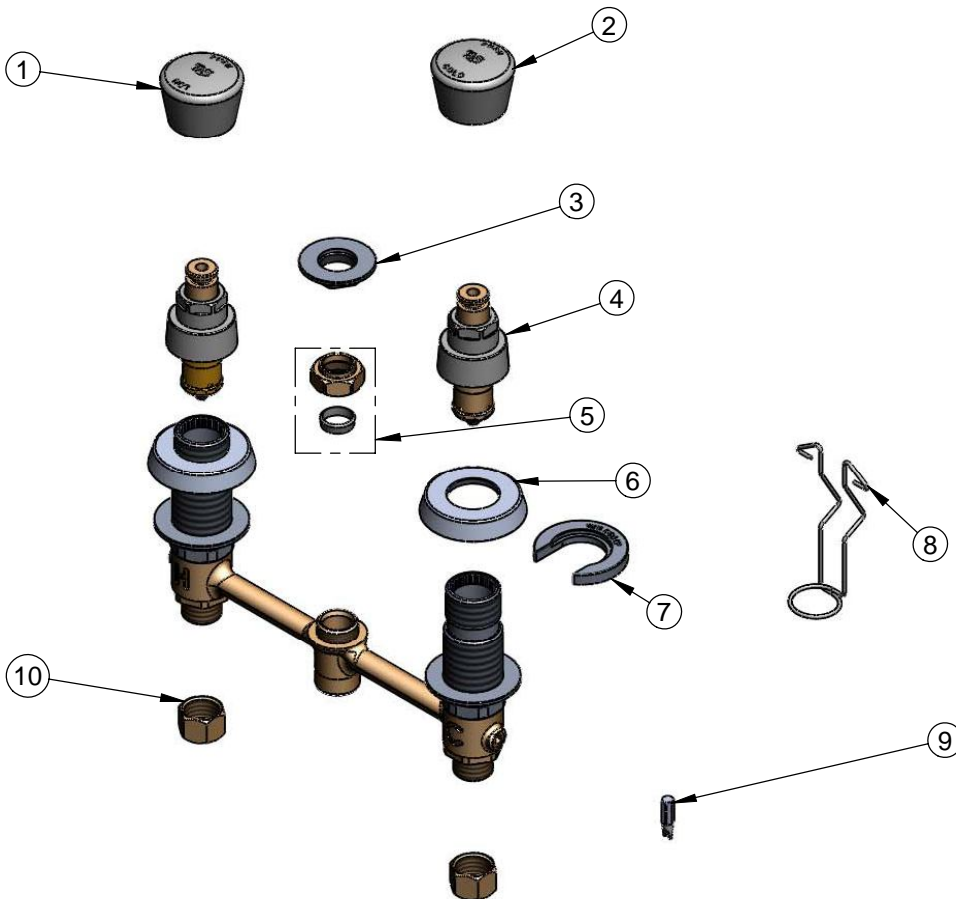
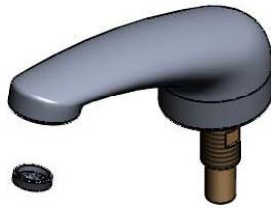
Model No.

B-2991-SF

Item No.

Travelers Rest, SC: 800-476-4103 Simi Valley, CA: 800-423-0150 Fax: 864-834-3518 www.tsbrass.com

ITEM NO.	SALES NO.	DESCRIPTION
1	014194-40	Hot Cap Assembly
2	014195-40	Cold Cap Assembly
3	016742-45	Center Flange Nut
4	238A	Push Button Metering Cartridge
5	016745-45	Compression Nut & Fitting
6	017292-45	Metering CWS Escutcheon
7	016749-45	Sidebody C-Washer
8	016777-45	CWS Hanger
9	014734-45	#8 Spanner Bit
10	000958-20	Coupling Nut



Product Specifications:

EasyInstall Faucet w/ Push Button Handles,
Metering Cartridges, 8" Inlet Centers,
Lavatory Spout w/ Spray Face

Drawn JRM	Checked GEF	Approved JHB
Scale: NTS		Date: 12/08/08