

APPLICATION:

PRODUCT NAME:

4" C/C DECK MOUNT RIGID  
CONTROL VALVE

JOB NAME:

SPECIAL CONFIGURATION  
 CHECK BASE MODEL AND OPTIONS

QUANTITY:

ITEM NO.

MODEL:

2500-CV

OPTIONS OR MODIFICATIONS:

OTHER \_\_\_\_\_

FEATURES

CONTROL VALVE

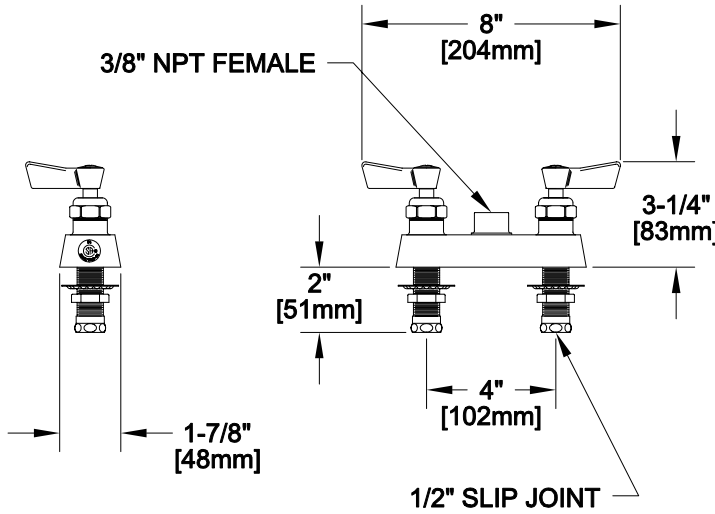
- \* 4" DECK MOUNT
- \* INTERNAL SPRING LOADED CHECK VALVES
- \* HOT SIDE STEM - RIGHT HAND
- \* COLD SIDE STEM - LEFT HAND
- \* SWIVELLING SEAT DISKS
- \* STAINLESS STEEL SEATS
- \* STAINLESS STEEL SEAT SCREWS
- \* STAINLESS STEEL HANDLE SCREWS

SYSTEM LIMITS

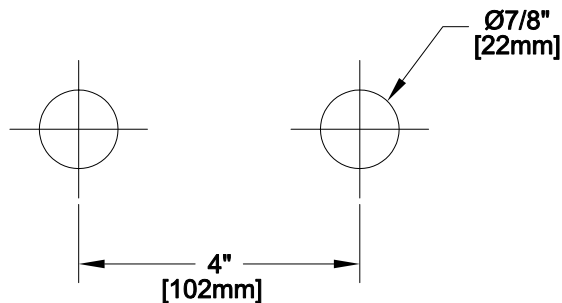
- \* TEMP: 40°F MIN. TO 140°F MAX.
- \* PRESSURE: 200 PSI MAX. STATIC

SHIPPING WEIGHT

- \* 3.25 LBS



ROUGH-IN:



APPLICATION:

JOB NAME:

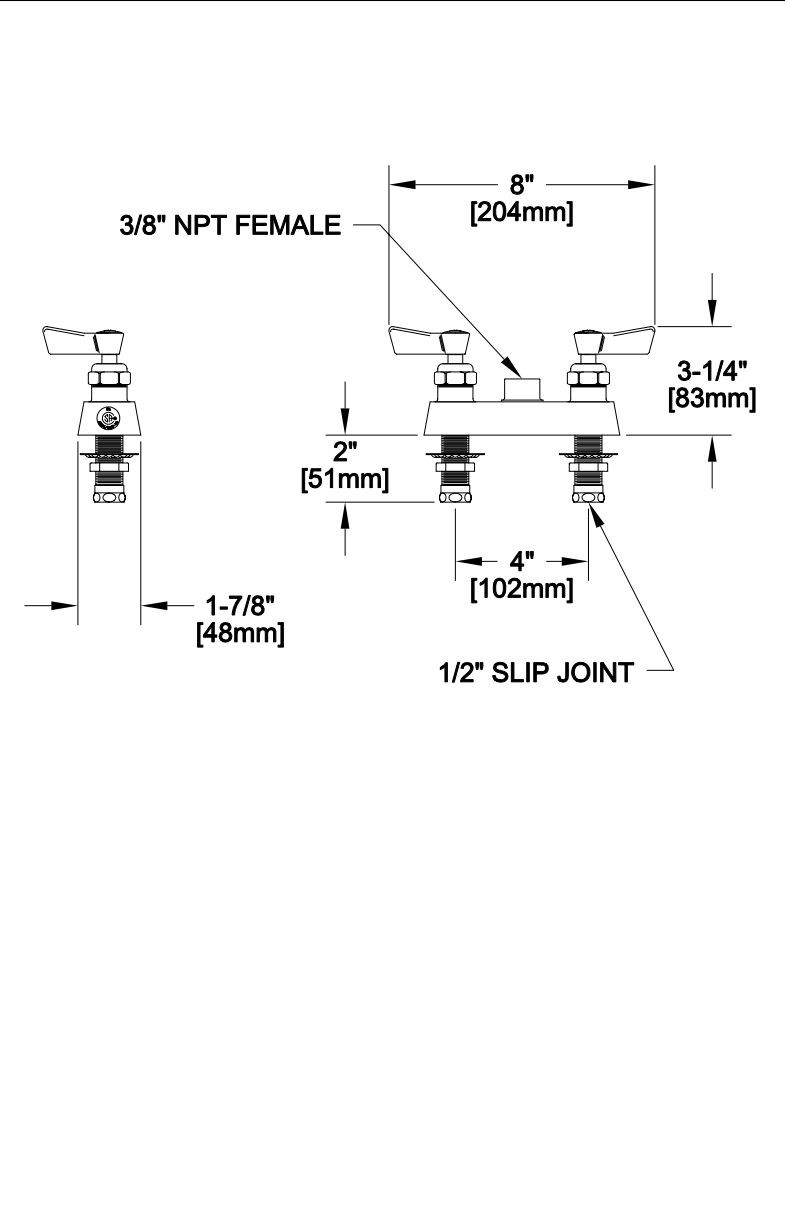
QUANTITY:                      ITEM NO.

PRODUCT NAME:  
4" C/C DECK MOUNT RIGID CONTROL VALVE

SPECIAL CONFIGURATION  
CHECK BASE MODEL AND OPTIONS

MODEL:  
■ 2500

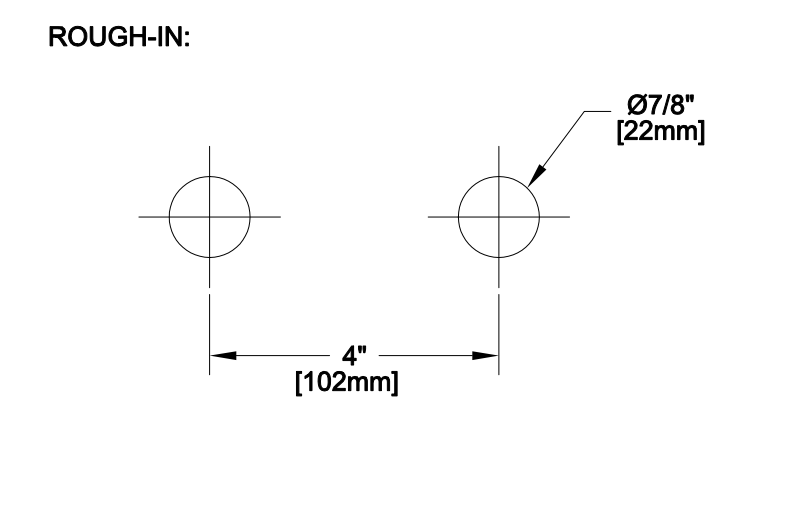
OPTIONS OR MODIFICATIONS:  
 OTHER \_\_\_\_\_



- FEATURES
- CONTROL VALVE
- \* 4" DECK MOUNT
  - \* HOT SIDE STEM - RIGHT HAND
  - \* COLD SIDE STEM - LEFT HAND
  - \* SWIVELLING SEAT DISKS
  - \* STAINLESS STEEL SEATS
  - \* STAINLESS STEEL SEAT SCREWS
  - \* STAINLESS STEEL HANDLE SCREWS

- SYSTEM LIMITS
- \* TEMP: 40°F MIN. TO 140°F MAX.
  - \* PRESSURE: 200 PSI MAX. STATIC

- SHIPPING WEIGHT
- \* 3.25 LBS



**FISHER**  
FISHER MANUFACTURING COMPANY  
TOLL FREE: 800-421-6162 - FAX: 800-832-8238  
information@fisher-mfg.com - www.fisher-mfg.com

APPLICATION:

JOB NAME:

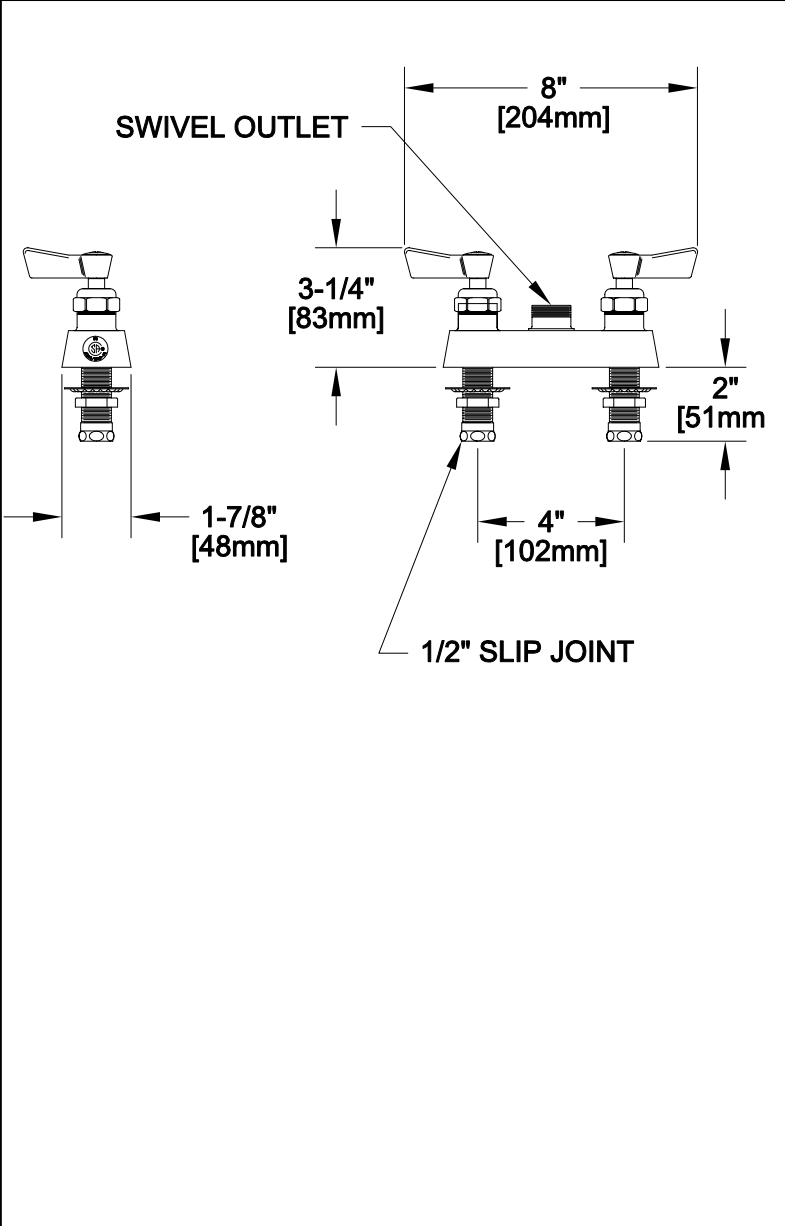
QUANTITY:                      ITEM NO.

PRODUCT NAME:  
 4" C/C DECK MOUNT CONTROL VALVE - SWIVEL

SPECIAL CONFIGURATION  
 CHECK BASE MODEL AND OPTIONS

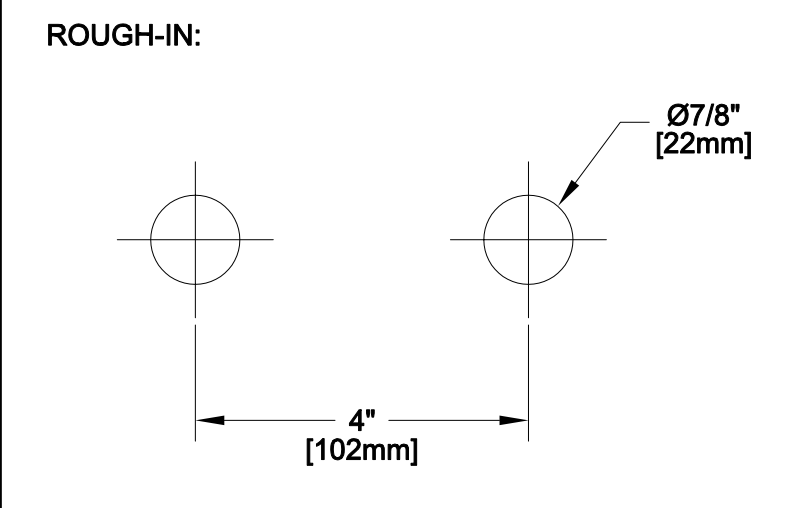
MODEL:  
 3500-CV

OPTIONS OR MODIFICATIONS:  
 OTHER \_\_\_\_\_



- FEATURES**
- CONTROL VALVE**
- \* 4" DECK MOUNT
  - \* INTERNAL SPRING LOADED CHECK VALVES
  - \* SWIVELLING SEAT DISKS
  - \* HOT SIDE STEM - RIGHT HAND
  - \* COLD SIDE STEM - LEFT HAND
  - \* STAINLESS STEEL SEATS
  - \* STAINLESS STEEL SEAT SCREWS
  - \* STAINLESS STEEL HANDLE SCREWS
- SYSTEM LIMITS**
- \* TEMP: 40°F MIN. TO 140°F MAX.
  - \* PRESSURE: 200 PSI MAX. STATIC

**SHIPPING WEIGHT**  
 \* 3.75 LBS



**FISHER**  
 FISHER MANUFACTURING COMPANY  
 TOLL FREE: 800-421-6162 - FAX: 800-832-8238  
 information@fisher-mfg.com - www.fisher-mfg.com

APPLICATION:

JOB NAME:

QUANTITY:                      ITEM NO.

PRODUCT NAME:  
4" C/C DECK MOUNT CONTROL VALVE - SWIVEL

SPECIAL CONFIGURATION  
CHECK BASE MODEL AND OPTIONS

MODEL:  
■ 3500

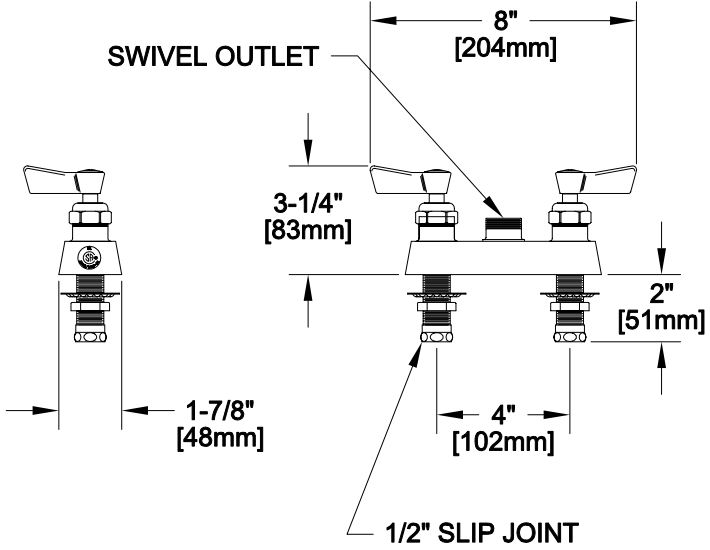
OPTIONS OR MODIFICATIONS:  
 OTHER \_\_\_\_\_

FEATURES

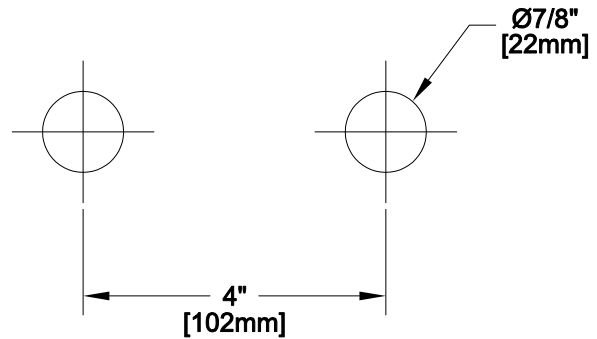
- CONTROL VALVE
- \* 4" DECK MOUNT
  - \* SWIVELLING SEAT DISKS
  - \* HOT SIDE STEM - RIGHT HAND
  - \* COLD SIDE STEM - LEFT HAND
  - \* STAINLESS STEEL SEATS
  - \* STAINLESS STEEL SEAT SCREWS
  - \* STAINLESS STEEL HANDLE SCREWS

- SYSTEM LIMITS
- \* TEMP: 40°F MIN. TO 140°F MAX.
  - \* PRESSURE: 200 PSI MAX. STATIC

- SHIPPING WEIGHT
- \* 3.75 LBS



ROUGH-IN:



**FISHER**  
FISHER MANUFACTURING COMPANY  
TOLL FREE: 800-421-6162 - FAX: 800-832-8238  
information@fisher-mfg.com - www.fisher-mfg.com