

SENSORFLO®

S-9229



AC Powered Manual Override Gooseneck Lavatory Faucet with Above-Counter Mixer

GENERAL SPECIFICATION

Polished chrome plated. Brass housing and brass spout. Solenoid with built-in filter. UL/CSA approved transformer 120 VAC to 12 VDC with waterproof connectors. 120-second time out feature. Water conserving vandal-resistant flow control reduces flow to 2.2 gpm/8.4 lpm. To Meet existing ASME A112.18.1/CSA B125.1 standard. NOTE: Stainless steel flexible supply hose(s), 3/8" compression, to supply stop(s) not included, see options below.

□ S-9229

Gooseneck faucet with 8" deck plate.

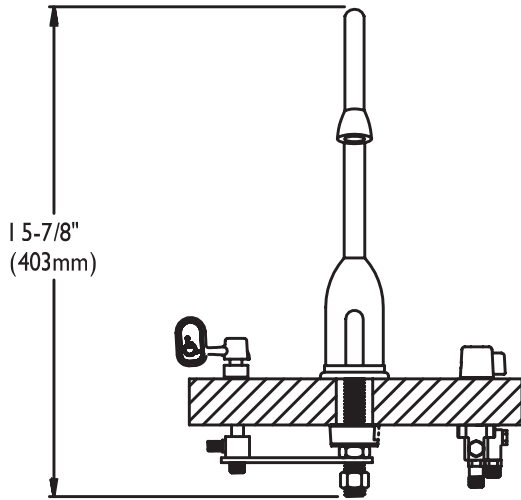
OPTIONS

SUFFIX	DESCRIPTION
□ ADA	ADA handle
□ BO	0.5 gpm flow control, vandal-resistant
□ FC	2.06 gpm laminar flow control, plain end spout
□ GB	1.5 gpm flow control, vandal-resistant
□ HS	Two (2) stainless steel flexible supply hoses to supply stops
□ LF	2.2 gpm laminar flow control outlet
□ LT	Less transformer
□ TMV	Under counter thermostatic mixing valve
□ 4WH	4" wrist blade handle

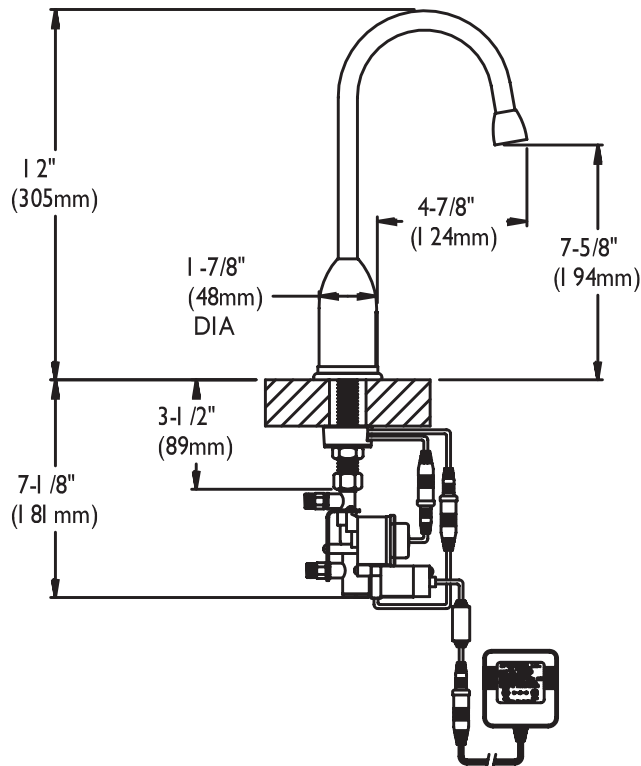
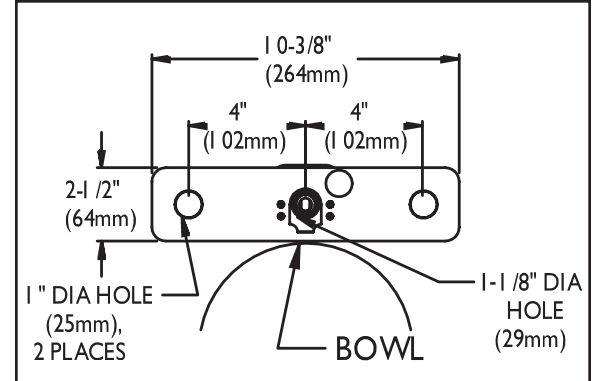
This space for Architect/Engineer approval.



ROUGH-INS



S-9229



NOTE: Unless otherwise specified, all inlets and outlets are 1/2" NPTF. Unless otherwise specified, all dimensions are in inches and are subject to change.