

**Dual Handle Kitchen Faucet
Models LKD2423 and LKD2423BH****FEATURES****Model LKD2423**

- Three hole, dual handle top mount kitchen faucet
- Three 1-1/2" (38.8mm) diameter faucet holes required
- Maximum counter top thickness is 1-1/8" (29mm)
- 360° swing spout with aerator and brass escutcheon
- Highly polished, chrome plated finish
- Wing handles
- Removable cartridge
- 1/2" (13mm) I.P. connections on 8" (203mm) centers
- Ship Wt. 5-1/2 lbs. (2.5Kg)
- Maximum flow rate
 - 2.5 GPM/9.5 L/min at 80 P.S.I.G.
 - 2.2 GPM/8.3 L/min at 60 P.S.I.G.

Model LKD2423BH

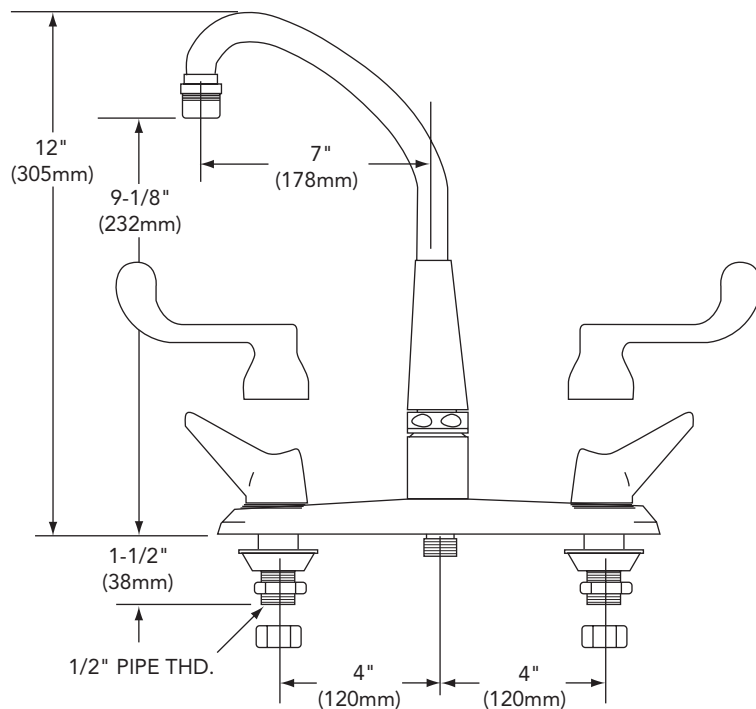
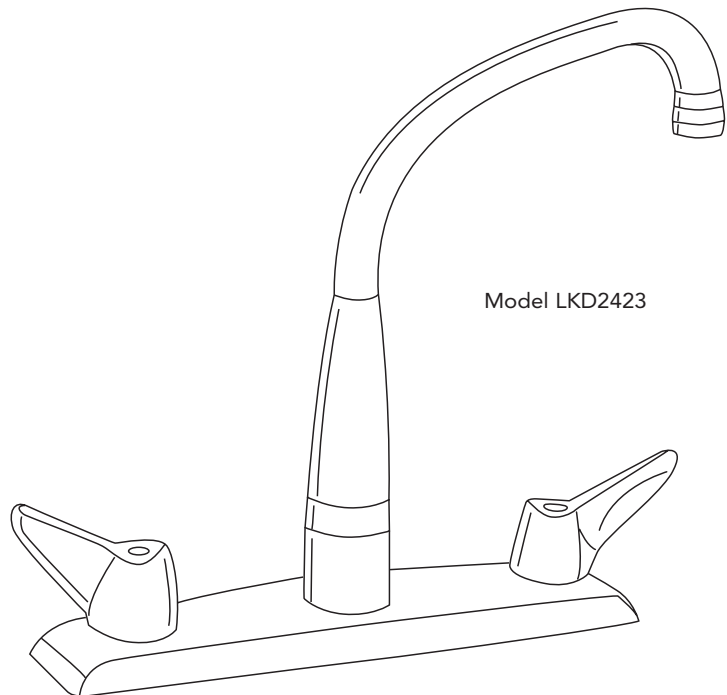
- Same as LKD2423 except with 4" (102mm) blade handles
- Ship Wt. 6 lbs. (2.7Kg)

WARRANTY

- Limited Lifetime

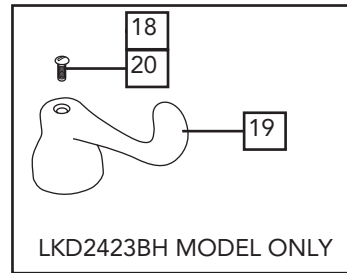
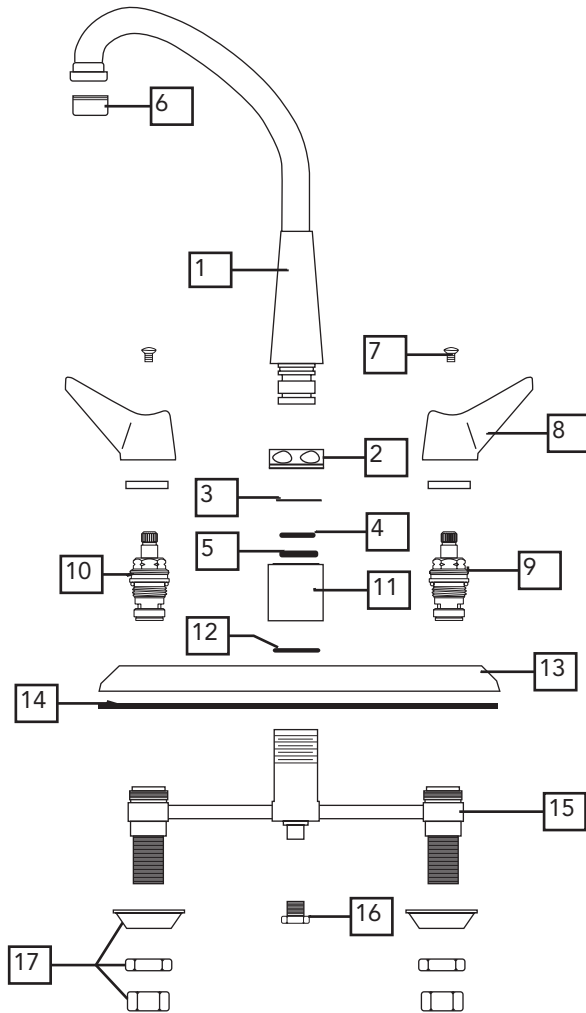
COMPLIES WITH:

- ADA
- ANSI/NSF61 - Certified
- ASME A112.18.1/CSA B125-01
- CA AB1953/VT S152



SEE OTHER SIDE FOR REPLACEMENT PARTS

Dual Handle Kitchen Faucet Models LKD2423 and LKD2423BH



ITEM	IND. PART	KIT PART	DESCRIPTION
1	N/A	A52352R	SPOUT ASSEMBLY
2	N/A		
3	N/A		
4	N/A		
5	N/A		
6	P05101	A72839R	HANDLE ASSEMBLY
7	P36119		
8	P01268	N/A	RH CARTRIDGE
9	P29121NL		LH CARTRIDGE
10	P29122NL	A52818R	ESCUTCHEON SLEEVE
11	P02117		
12	P35168	A51967R	ESCUTCHEON
13	P02107		
14	P35122	A75174R	BODY ASSEMBLY
15	P47034NL		
16	N/A	N/A	MOUNTING HARDWARE
17	P35100		
18	P36114	A55180R	RH BH HANDLE ASSEMBLY
19	P01241		
19	P01241	A55179R	LH BH HANDLE ASSEMBLY
20	P36115		

*Parts ending in NL effective 10/1/2009. Prior to 10/1/2009 order part less NL suffix.