

## SENSORFLO®

### Battery Powered Lavatory Faucet

**S-9700**  
**S-9701**



**S-9710**  
**S-9711**



**S-9720**  
**S-9721**



#### GENERAL SPECIFICATION

Polished chrome plated solid brass spout. Solenoid with built-in filter. Two 3-volt DC lithium batteries. Battery module with water-proof connectors. Low battery warning light. 120-second time out feature. Water conserving vandal-resistant flow control reduces flow to 2.2 gpm/8.4 lpm. To meet existing ASME A112.18.1/CSA B125.1 standard.

NOTE: stainless steel flexible supply hose(s), 3/8" compression, to supply stop(s) not included, see options below.

**S-9700**

Single basin gooseneck faucet.

**S-9701**

Single basin gooseneck faucet, under counter mechanical mixer with built-in backflow check valves.

**S-9710**

Gooseneck faucet with 4" deck plate.

**S-9711**

Gooseneck faucet with 4" deck plate, under counter mechanical mixer with built-in backflow check valves.

**S-9720**

Gooseneck faucet with 8" deck plate.

**S-9721**

Gooseneck faucet with 8" deck plate, under counter mechanical mixer with built-in backflow check valves.

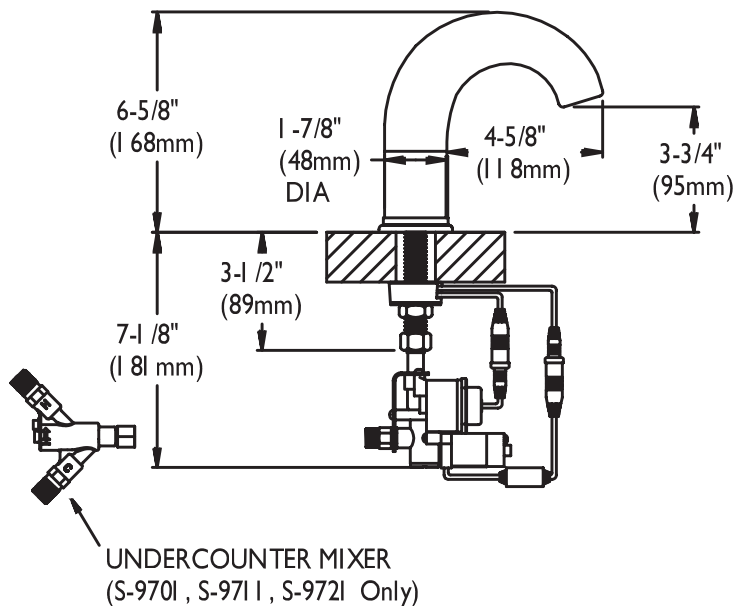
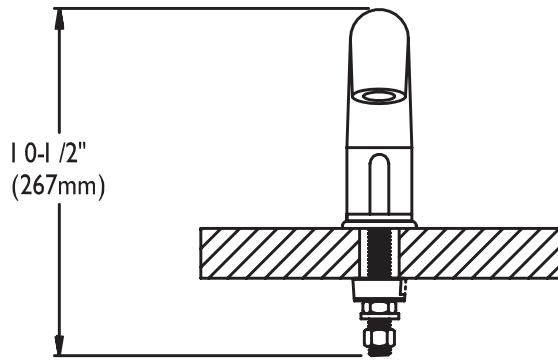
#### OPTIONS

| SUFFIX                       | DESCRIPTION   |
|------------------------------|---|
| <input type="checkbox"/> BO  | 0.5 gpm flow control, vandal-resistant  |
| <input type="checkbox"/> GB  | 1.5 gpm flow control, vandal-resistant  |
| <input type="checkbox"/> HS  | Two (2) stainless steel flexible supply hoses to supply stops                           |
| <input type="checkbox"/> HTS | One (1) stainless steel hose for tempered water systems (S-9700, S-9710, & S-9720 only) |
| <input type="checkbox"/> LF  | 2.2 gpm laminar flow control outlet   |
| <input type="checkbox"/> TMV | Under counter thermostatic mixing valve (S-9700, S-9710, & S-9720 only)                 |

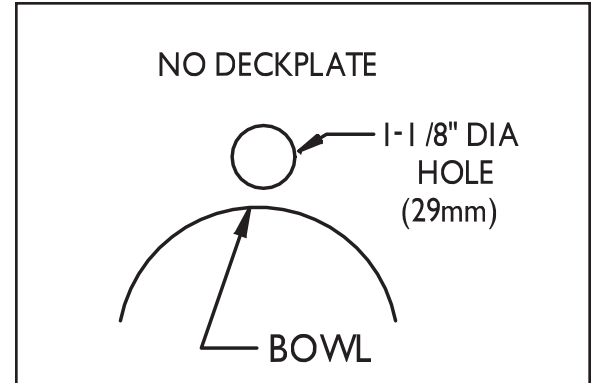
This space for Architect/Engineer approval.



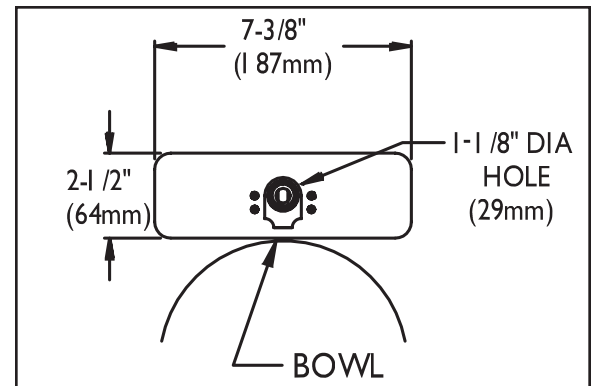
## ROUGH-INS



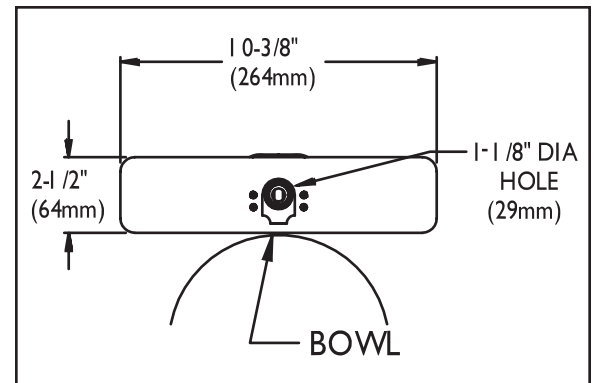
### S-9700 S-9701



### S-9710 S-9711



### S-9720 S-9721



NOTE: Unless otherwise specified, all inlets and outlets are 1/2" NPTF. Unless otherwise specified, all dimensions are in inches and are subject to change.