

COMMANDER® HEALTHCARE

Gooseneck Spouts

S-3345



S-3355



GENERAL SPECIFICATION

Polished chrome plated gooseneck spout for use with foot-pedal valves or surgeon scrub sink fitting. 8" deep gooseneck spout, rigid or swivel. Water conserving device limits flow to 2.2 gpm/8.4 lpm. Meets ASME A112.18.1/CSA B125.1 and NSF61.

S-3345

Deck mounted gooseneck spout. 1/2" NPSM inlet.

S-3355

Wall mounted gooseneck spout. 3/8" NPTF inlet.

OPTIONS

SUFFIX	DESCRIPTION
<input type="checkbox"/> BO	Vandal-resistant 0.5 gpm flow control
<input type="checkbox"/> GB	Vandal resistant 1.5 GPM flow control
<input type="checkbox"/> LF	Vandal-resistant 2.2 gpm laminar flow control
<input type="checkbox"/> SO	Rose spray outlet
<input type="checkbox"/> 4*	3-3/4" deep spread gooseneck spout, rigid or swivel
<input type="checkbox"/> 5*	5-1/4" deep spread gooseneck spout, rigid or swivel
<input type="checkbox"/> 9*	9" deep tubular swing spout, rigid or swivel
<input type="checkbox"/> 12*	12" deep tubular swing spout, rigid or swivel
<input type="checkbox"/> FC	2.0 GPM laminar flow control in base of spout
<input type="checkbox"/> VB6*	6" deep spread gooseneck spout with vacuum breaker and rigid shanks
<input type="checkbox"/> VB8*	8" deep spread gooseneck spout with vacuum breaker and rigid shanks

VACUUM BREAKER OPTIONS

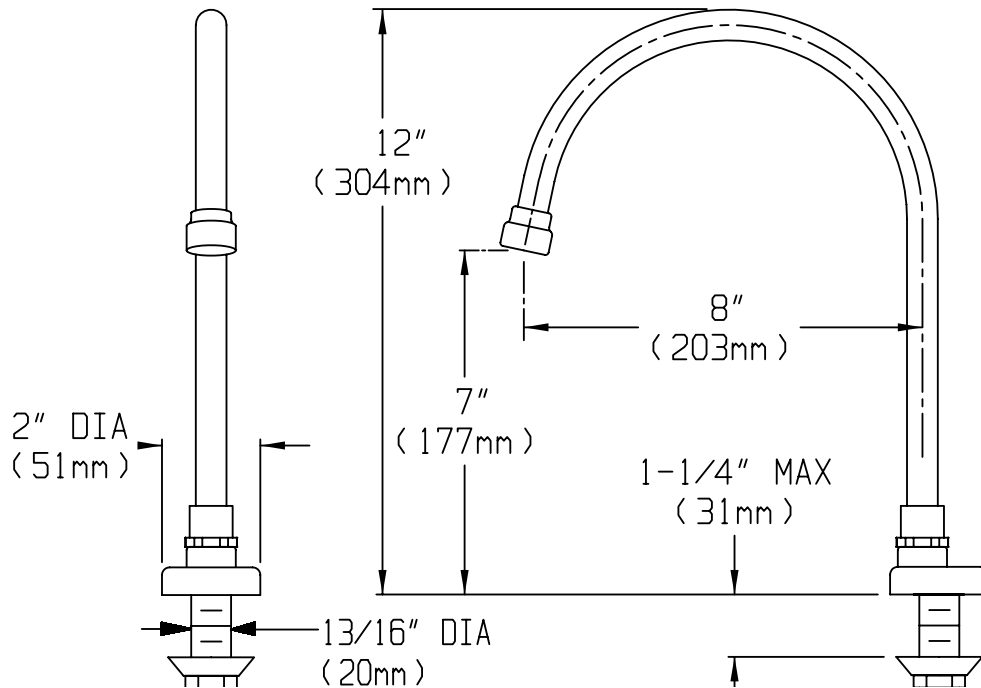
SUFFIX	DESCRIPTION
<input type="checkbox"/> ST	Serrated tip
<input type="checkbox"/> SW	Swivel spout

This space for Architect/Engineer approval.



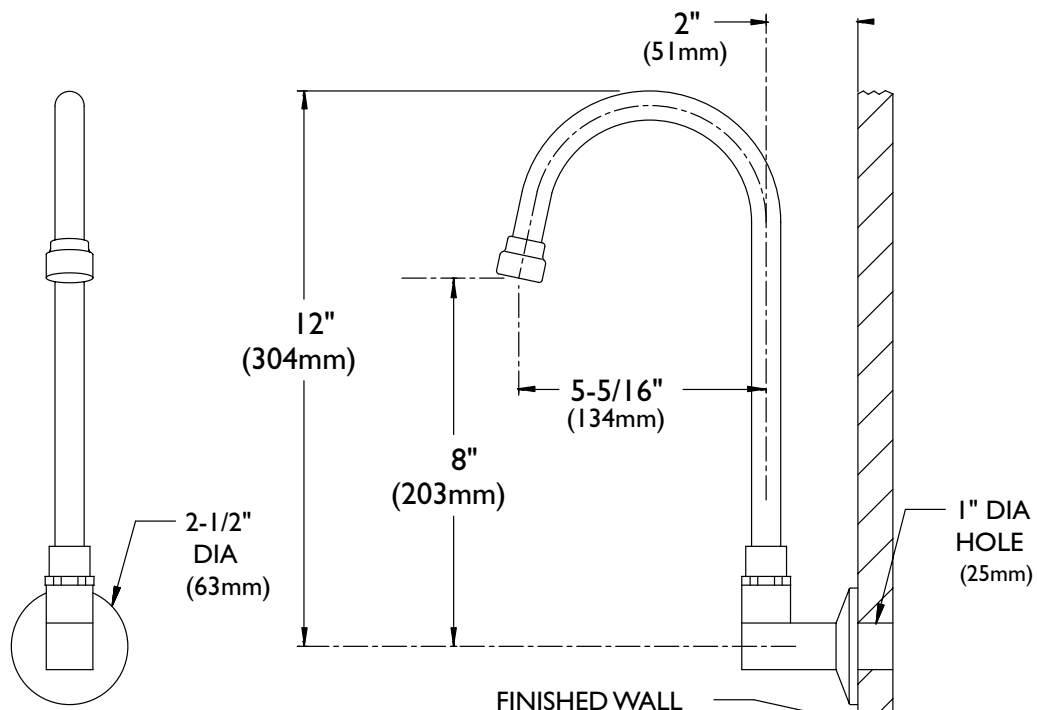
ROUGH-INS

S-3345



NOTE: All dimensions are in inches unless otherwise specified and are subject to change without notice. Inlet sized for either coupling or sweat connections. Inlet is 1/2 NPSM inlet.

S-3355

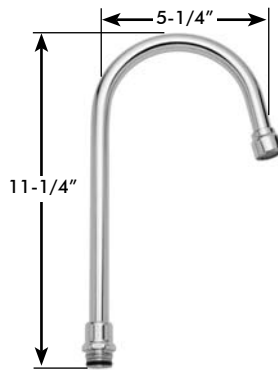




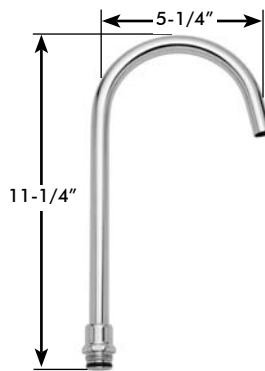
Spout -4, rigid or swivel
 3-3/4" deep gooseneck



Spout -4FC, rigid or swivel
 3-3/4" deep plain end gooseneck;
 laminar flow in base of spout



Spout -5, rigid or swivel
 5-1/4" deep gooseneck



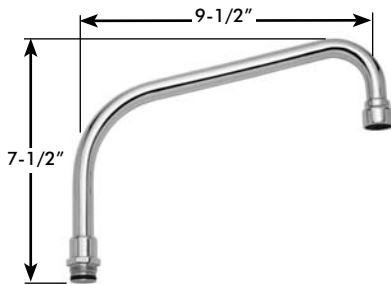
Spout -5FC, rigid or swivel
 5-1/4" deep plain end gooseneck;
 laminar flow in base of spout



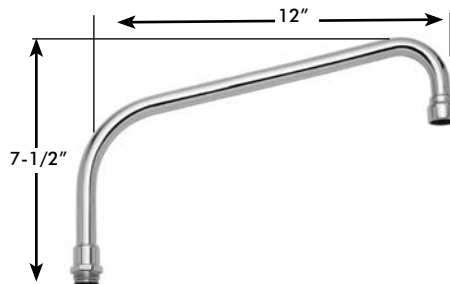
Spout -8, rigid or swivel
 8" deep gooseneck



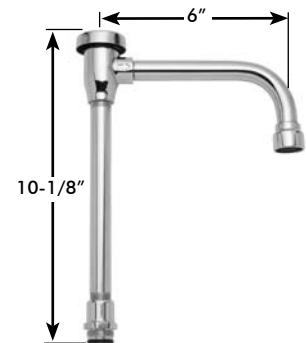
Spout -8FC, rigid or swivel
 8" deep plain end gooseneck;
 laminar flow in base of spout



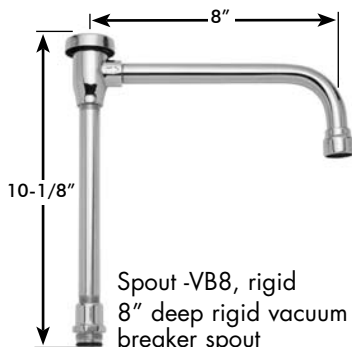
Spout -9, rigid or swivel
 9" deep tubular swing spout



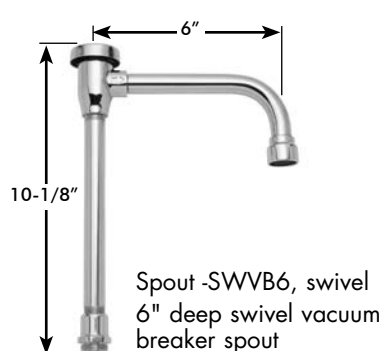
Spout -12, rigid or swivel
 12" deep tubular swing spout



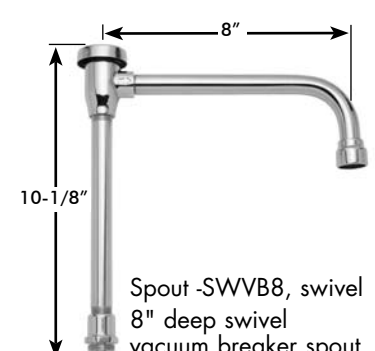
Spout -VB6, rigid
 6" deep rigid vacuum breaker spout



Spout -VB8, rigid
 8" deep rigid vacuum
 breaker spout



Spout -SWVB6, swivel
 6" deep swivel vacuum
 breaker spout



Spout -SWVB8, swivel
 8" deep swivel
 vacuum breaker spout