



# SIERRA LEAD-FREE FAUCET

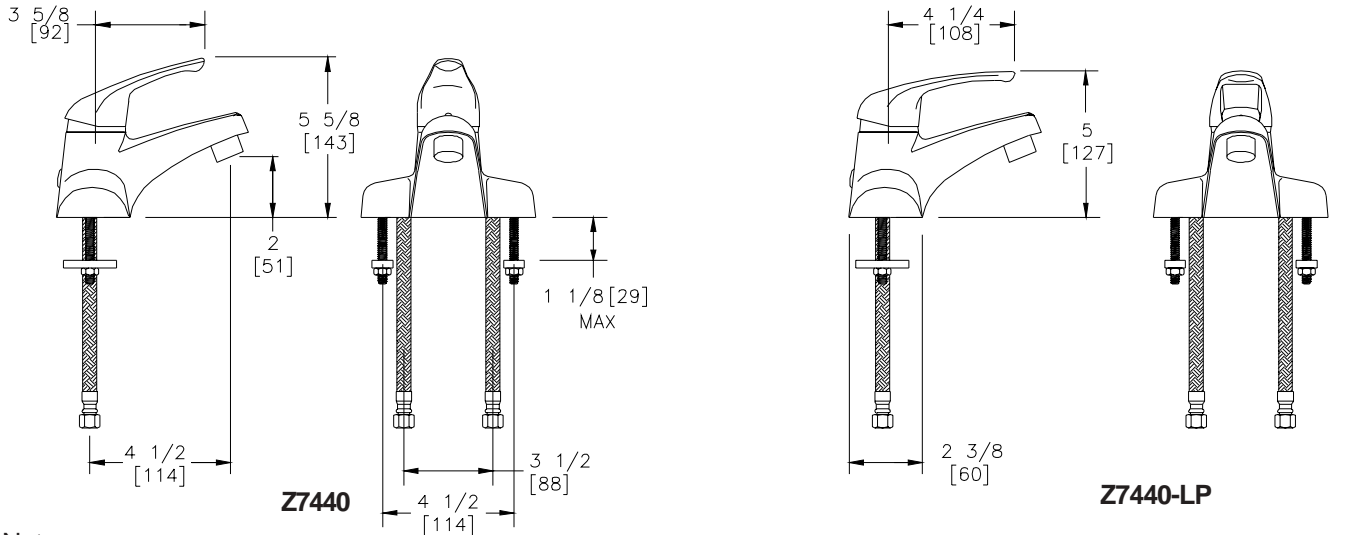
## Z7440

TAG \_\_\_\_\_



### Engineering Specifications: Zurn AquaSpec® Sierra Lead-Free Faucet Z7440

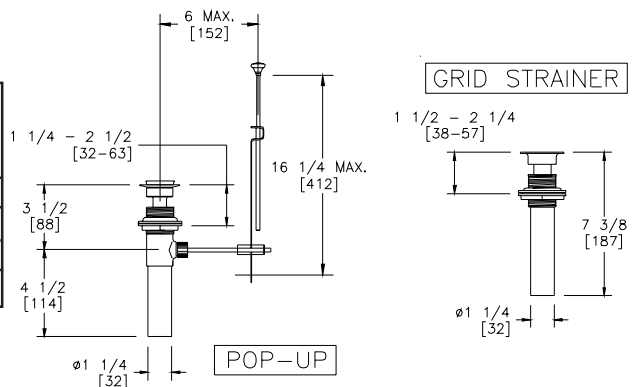
Polished chrome plated 4" [102mm] centerset single control lavatory faucet with 5" [127mm] integral spout, a ceramic disc cartridge and a temperature limit stop. Unit is furnished with 2.2 GPM [8.3L] aerator (complying with ANSI A112.18.1M Standard for flow), an ADA compliant lever handle, 3/8" stainless steel flex hose 18" [457mm] in length with 3/8" female compression fitting.



**Note:**

Dimensions subject to manufacturing tolerances. Other pipe and fittings not furnished by manufacturer.

Model No.	Lever Handle	No Pop-Up Hole	With Lift Rod Only	With Metal Pop-Up	With Grid Strainer
Z7440	X	X			
Z7441	X		X		
Z7442	X			X	
Z7443	X	X			X



**OPTIONS** (Check/specify appropriate options)

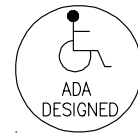
- \_\_\_ - CST Copper Supply Tubes w/ 1/2" IPS Fitting
- \_\_\_ - FC 0.5 GPM [1.9L] Vandal Resistant Aerator
- \_\_\_ - LA 2.2 GPM [8.3L] Laminar Flow Aerator
- \_\_\_ - LP Loop Handle
- \_\_\_ - SO 1.0 GPM Spray Outlet
- \_\_\_ - STN Satin Nickel Finish
- \_\_\_ - VP 2.2 GPM [8.3L] Vandal Resistant Aerator

**STANDARDS**

Lever handle models meet or exceed ANSI A117.1M Handicap specifications.

**FLOWRATE**

2.2 GPM (8.3 LPM) @ 80 PSI



ZURN INDUSTRIES, LLC ♦ COMMERCIAL BRASS OPERATION ♦ 2640 SOUTH WORK STREET ♦ FALCONER NY 14733

Phone: 1-716-665-1132 ♦ Fax: 1-716-665-1135 ♦ World Wide Web: www.zurn.com

In Canada: ZURN INDUSTRIES LIMITED ♦ 3544 Nashua Drive ♦ Mississauga, Ontario L4V1L2 ♦ Phone: 905/405-8272 Fax: 905/405-1292